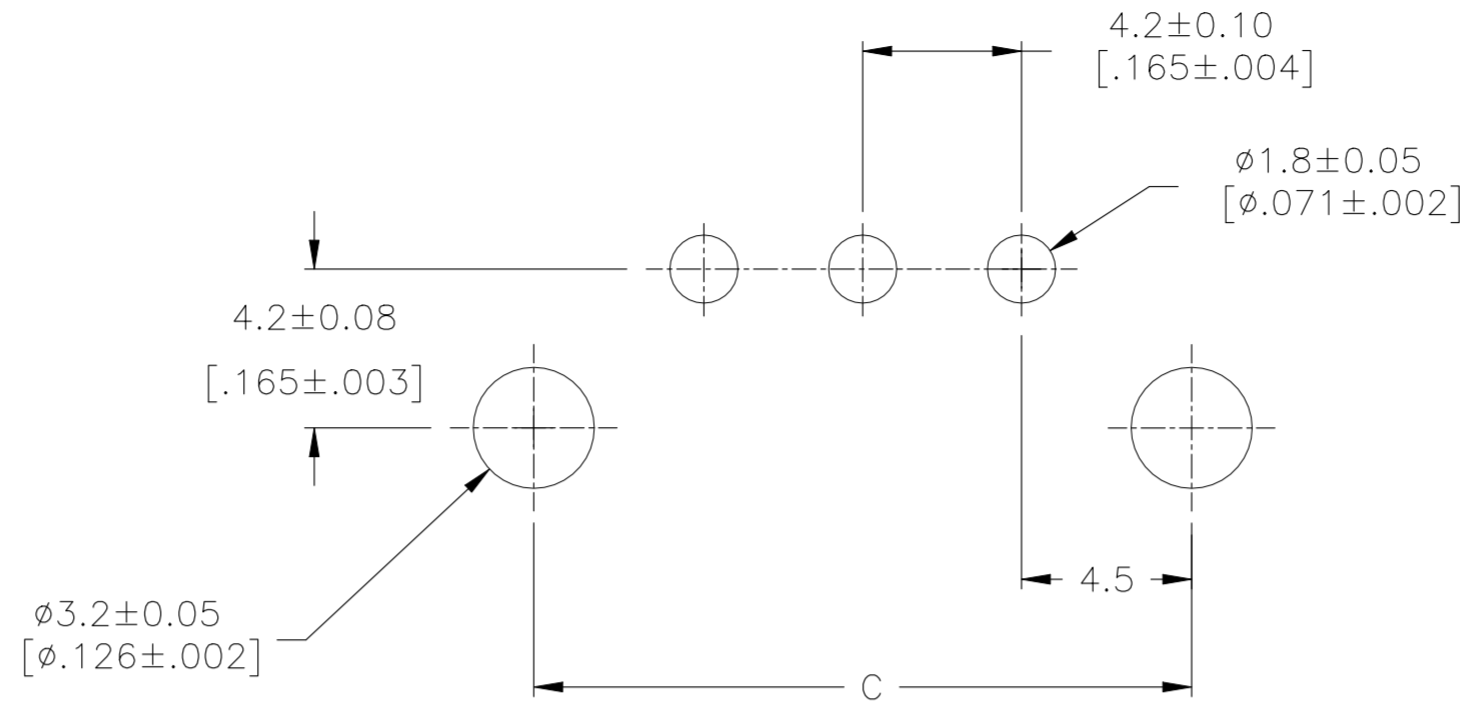
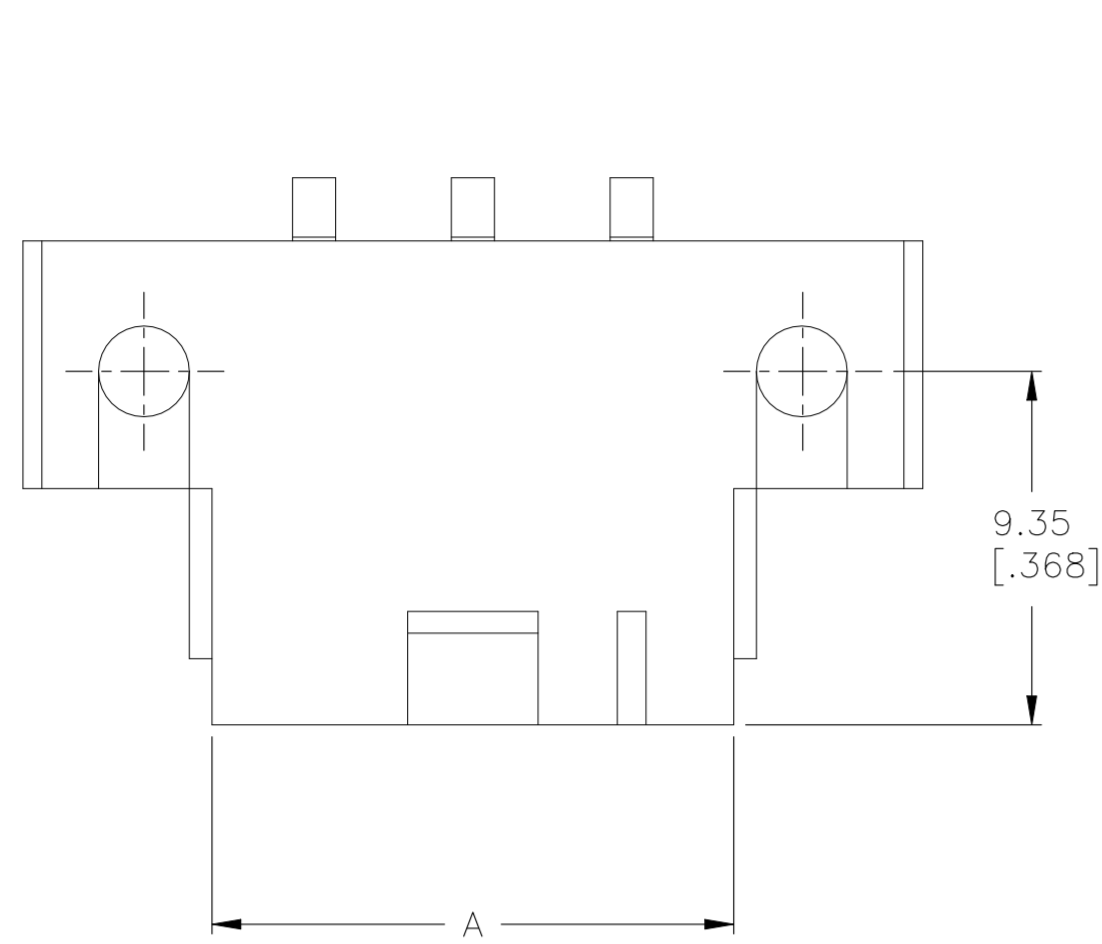
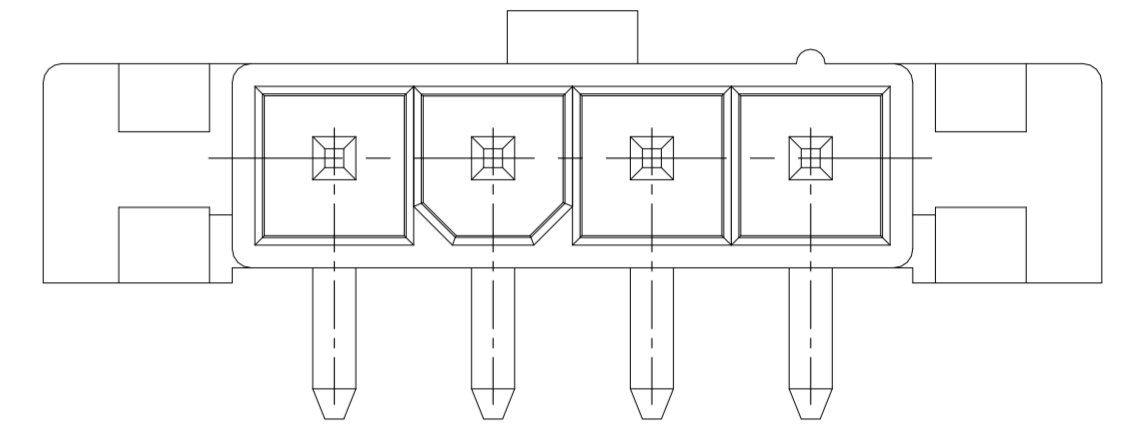


REVISIONS					
P	LTR	DESCRIPTION	DATE	DWN	APVD
B		REVISED PER ECR-22-133159	13MAY2022	P.C	D.Z

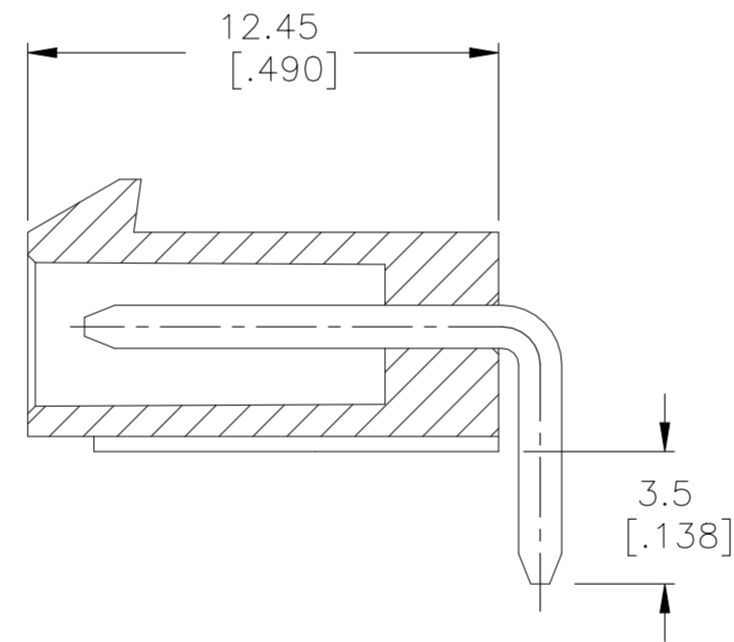
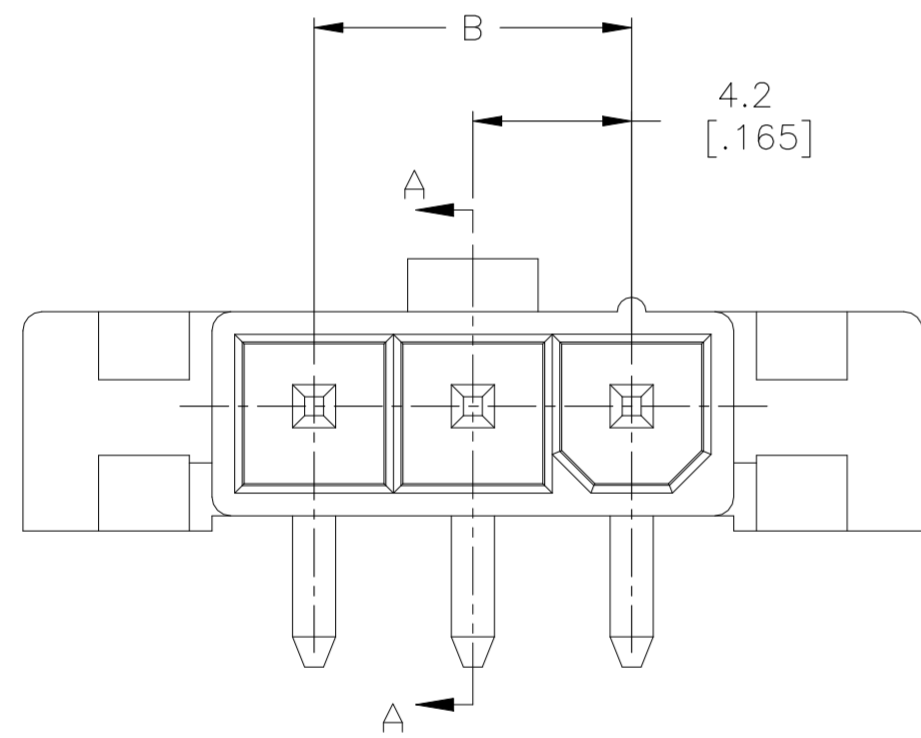


RECOMMENDED MOUNTING HOLE PATTERN FOR
1.78 [.070] MAX THK P.C. BOARD

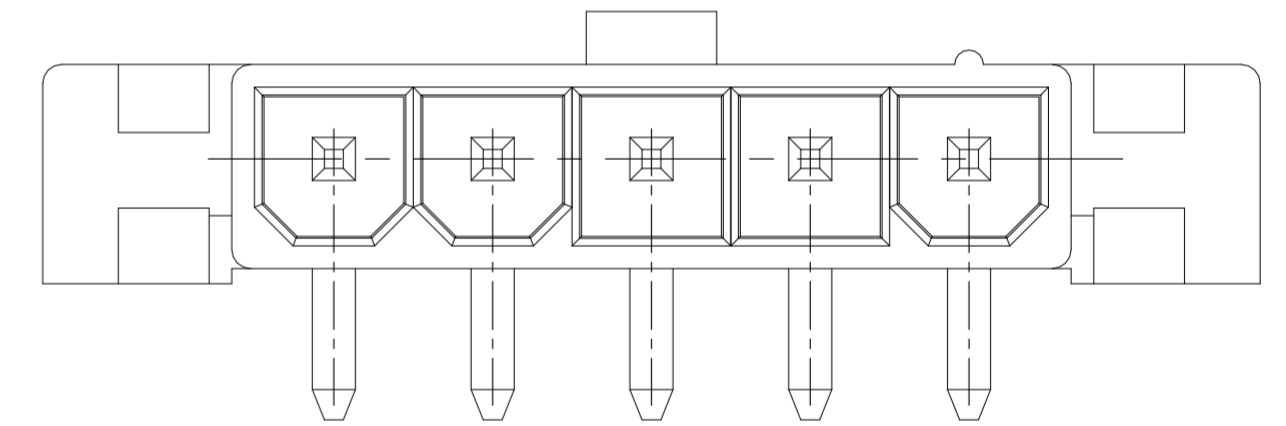
1 MATERIAL: HOUSING: NYLON, UL94V-0
CONTACTS: BRASS, TIN-PLATED



2029153-4 MATING FACE



SECTION A-A



2029153-5 MATING FACE

2029153-3 SHOWN

5	25.8 [1.02]	16.8 [.661]	220. [.874]	2029153-5
4	21.6 [.850]	12.6 [.496]	18 [.709]	2029153-4
3	17.4 [.685]	8.4 [.330]	13.8 [.543]	2029153-3
POS	C	B	A	PART NUMBER

THIS DRAWING IS A CONTROLLED DOCUMENT.		DWN K. WHITAKER 14OCT2008		
DIMENSIONS: mm [INCHES]		CHK C. CASH 14OCT2008		
TOLERANCES UNLESS OTHERWISE SPECIFIED:		APVD C. CASH 14OCT2008	NAME	
0 PLC ± 1 PLC ± 0.13 [.005] 2 PLC ± 0.13 [.005] 3 PLC ± 4 PLC ± ANGLES ±		PRODUCT SPEC	RIGHT ANGLE HEADER, WITH FLANGES, 94V-0, VAL-U-LOK(TM)	
MATERIAL		APPLICATION SPEC	SIZE A2	CAGE CODE 00779
FINISH		WEIGHT 0.000000	DRAWING NO C=2029153	RESTRICTED TO -
1		CUSTOMER DRAWING	SCALE 5:1	SHEET 1 of 1
			REV B	

METRIC