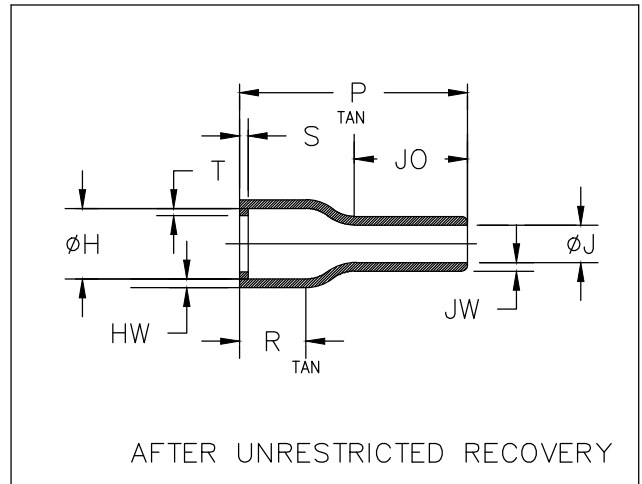
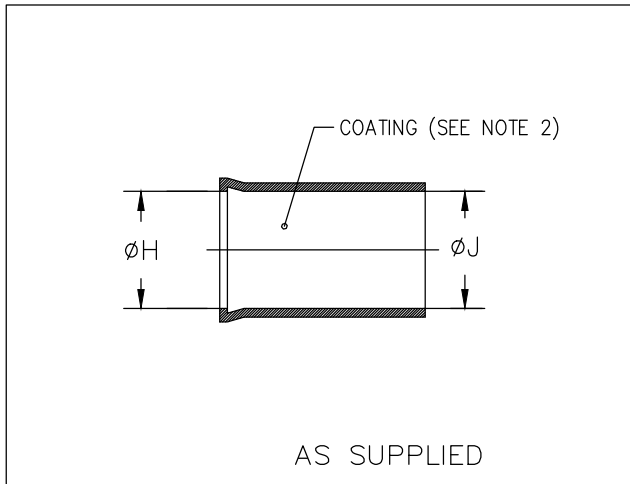


REVISIONS				
P	LTR	DESCRIPTION	DATE	APVD
	B	PRODUCTION ISSUE	18JAN2019	MT




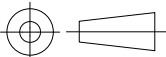
PART NUMBER	H		J		P	JO	R	S	T	HW	JW
	Min a	Max b	Min a	Max b	±10% b	±10% b	Ref b	Ref b	Ref b	±20% b	±20% b
202D211-X-08	22.4 [.88]	11.4 [.45]	22.4 [.88]	6.4 [.25]	46.2 [1.82]	26.6 [1.05]	11.7 [.46]	3.0 [.12]	1.0 [.04]	1.52 [.06]	1.14 [.045]
202D221-X-08	25.7 [1.01]	15.0 [.59]	25.7 [1.01]	7.4 [.29]	39.3 [1.55]	16.7 [.66]	12.2 [.48]	3.0 [.12]	1.0 [.04]	1.52 [.06]	1.14 [.045]
202D232-X-08	29.5 [1.16]	18.8 [.74]	29.5 [1.16]	8.4 [.33]	41.9 [1.65]	16.0 [.63]	12.2 [.48]	3.0 [.12]	1.0 [.04]	1.78 [.07]	1.14 [.045]
202D242-X-08	34.0 [1.34]	22.9 [.90]	34.0 [1.34]	9.7 [.38]	45.7 [1.80]	17.0 [.67]	12.2 [.48]	3.0 [.12]	1.0 [.04]	1.78 [.07]	1.14 [.045]
202D263-X-08	43.7 [1.72]	34.0 [1.34]	43.7 [1.72]	12.2 [.48]	56.3 [2.22]	16.2 [.64]	15.2 [.60]	3.0 [.12]	1.65 [.065]	2.0 [.08]	1.14 [.045]

RELEASED FOR PUBLICATION

ALL RIGHTS RESERVED.

© COPYRIGHT - TE CONNECTIVITY LTD.

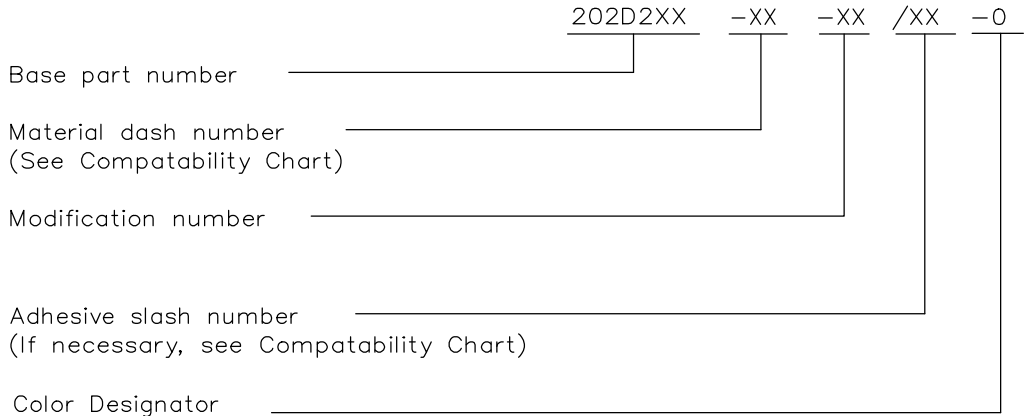
THIS DRAWING IS UNPUBLISHED.

DIMENSIONS: mm [INCHES]	DWN PRAVEEN N T 18JAN2019	MATERIAL SEE SHEET 2	FINISH -
	CHK N NAGAR 18JAN2019	 TE Connectivity Ltd.	
TOLERANCES UNLESS OTHERWISE SPECIFIED:	APVD M TAYLOR 18JAN2019		
0 PLC ± -	PRODUCT SPEC -	SIZE A4	CAGE CODE 00779
1 PLC ± -	APPLICATION SPEC -	DRAWING NO C-202D2XX-XX-08-0	RESTRICTED TO -
2 PLC ± -	WEIGHT	SCALE DNS	
3 PLC ± -		SHEET 1 OF 2	REV B
4 PLC ± -		CUSTOMER DRAWING	
ANGLES ± -			

REVISIONS				
P	LTR	DESCRIPTION	DATE	APVD
	-	SEE SHEET 1	-	-

COMPATABILITY CHART				
MATERIAL DASH NO.	MATERIAL DESCRIPTION	RT SPEC	COATING SLASH NO.	COATING S NO.
-3	Polyolefin, Semi-Rigid	RT-301	/42;/86;/180	S1017;S1048;S1030
-4	Polyolefin, Flexible	RT-1304	/42;/86;/180	S1017;S1048;S1030
-25	Elastomer, Fluid Resistant	RW-2070	/42;/86;/225	S1017;S1048;S1206

ORDERING INFORMATION



NOTES

- Dimensions appearing in table are as follows:
 - a - As Supplied
 - b - After Unrestricted Recovery
- Coating is optional. As supplied dimensions appearing in table are for uncoated parts. When coating is added, entry diameters will be reduced by 1.5mm[.06] max.

THIS DRAWING IS UNPUBLISHED. ALL RIGHTS RESERVED. COPYRIGHT - TE CONNECTIVITY LTD.

DIMENSIONS: mm [INCHES]	DWN PRAVEEN N T	18JAN2019	MATERIAL	-	FINISH	-
	CHK N NAGAR	18JAN2019	TE Connectivity Ltd.			
TOLERANCES UNLESS OTHERWISE SPECIFIED:	APVD M TAYLOR	18JAN2019				
0 PLC ± -	PRODUCT SPEC	-	NAME BOOT, STRAIGHT, WITH LIP			
1 PLC ± -	-	-	-			
2 PLC ± -	APPLICATION SPEC	-	SIZE	CAGE CODE	DRAWING NO	RESTRICTED TO
3 PLC ± -	-	-	A4	00779	C-202D2XX-XX-08-0	-
4 PLC ± -	WEIGHT	-	CUSTOMER DRAWING			
ANGLES ± -			SCALE	DNS	SHEET	2 OF 2
					REV	B