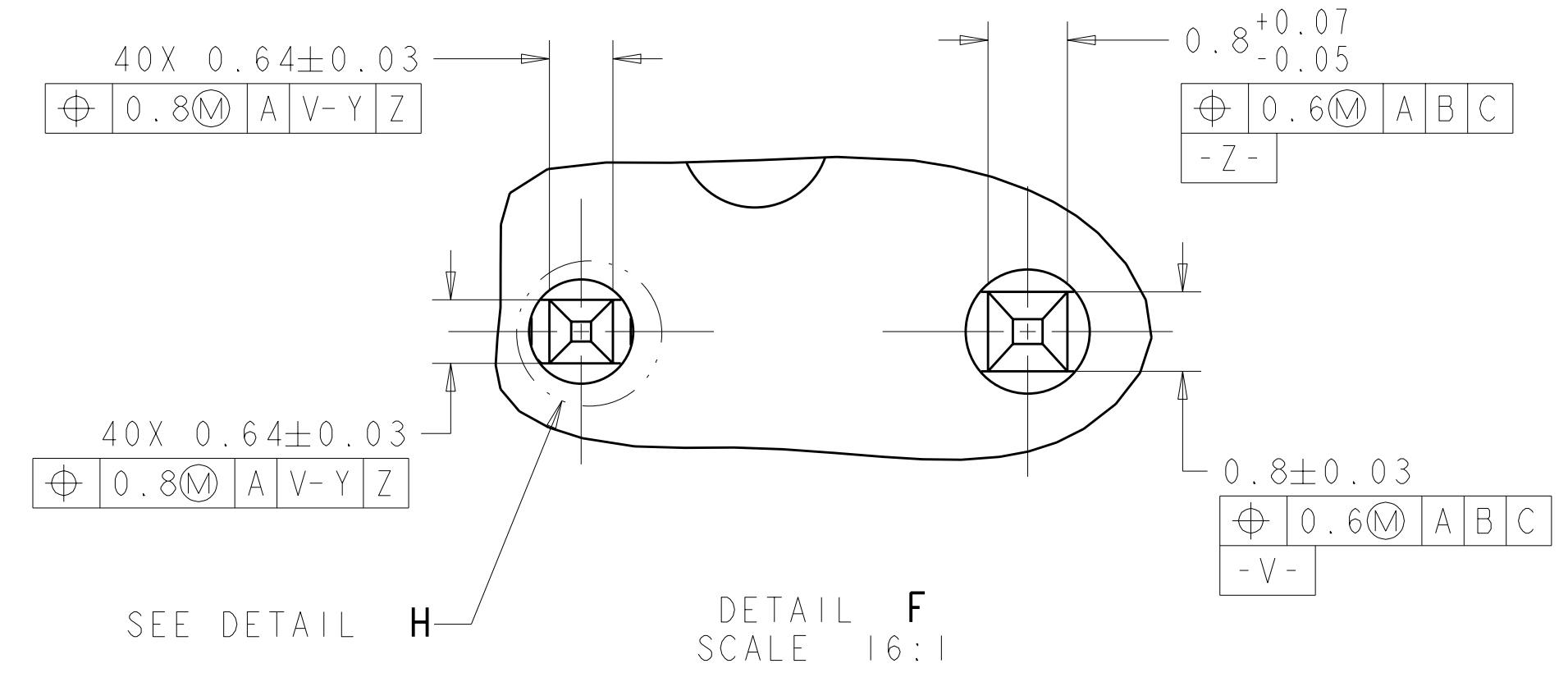
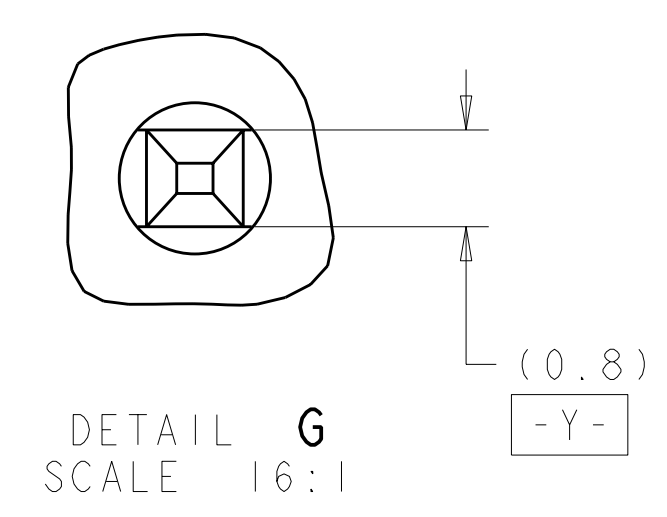
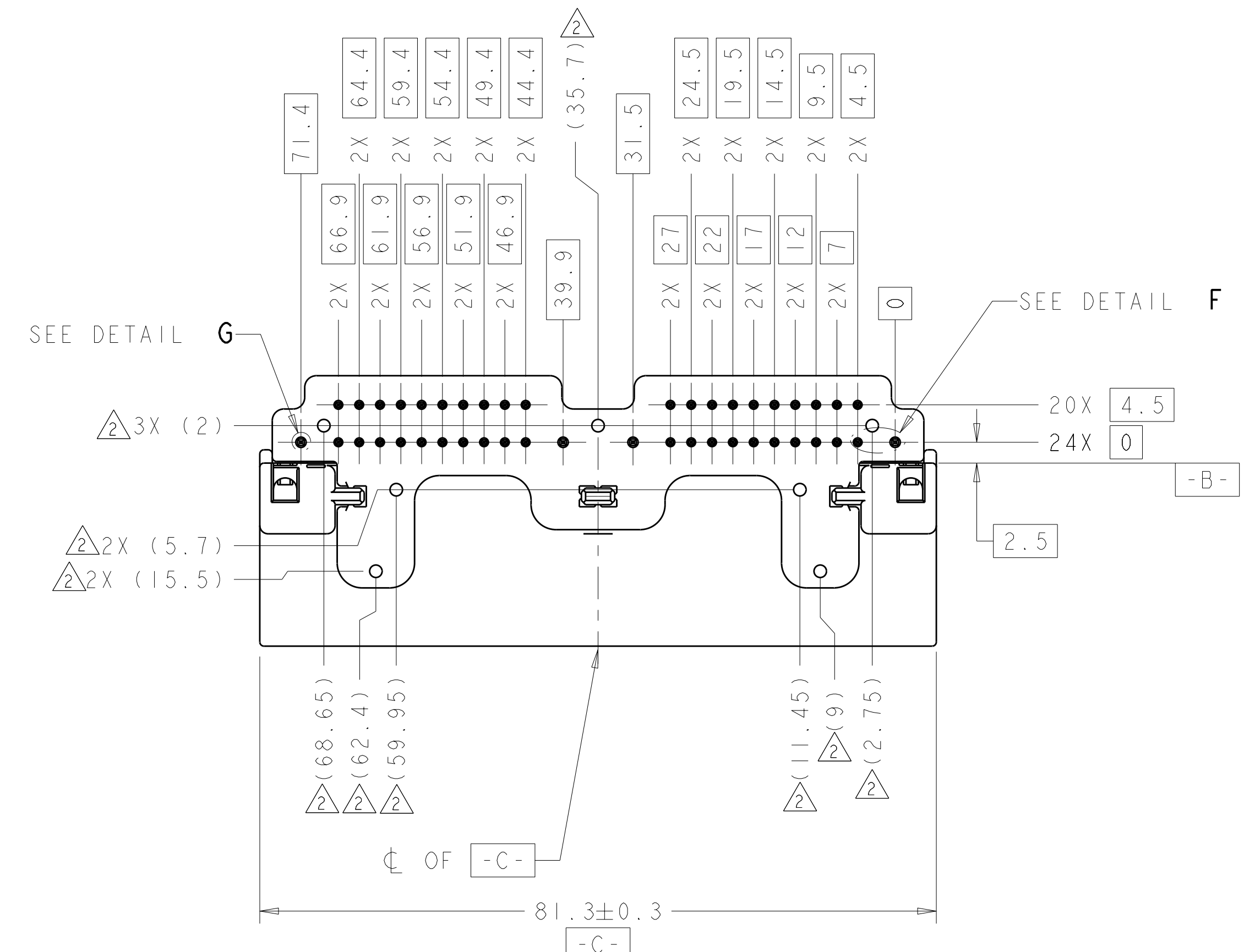
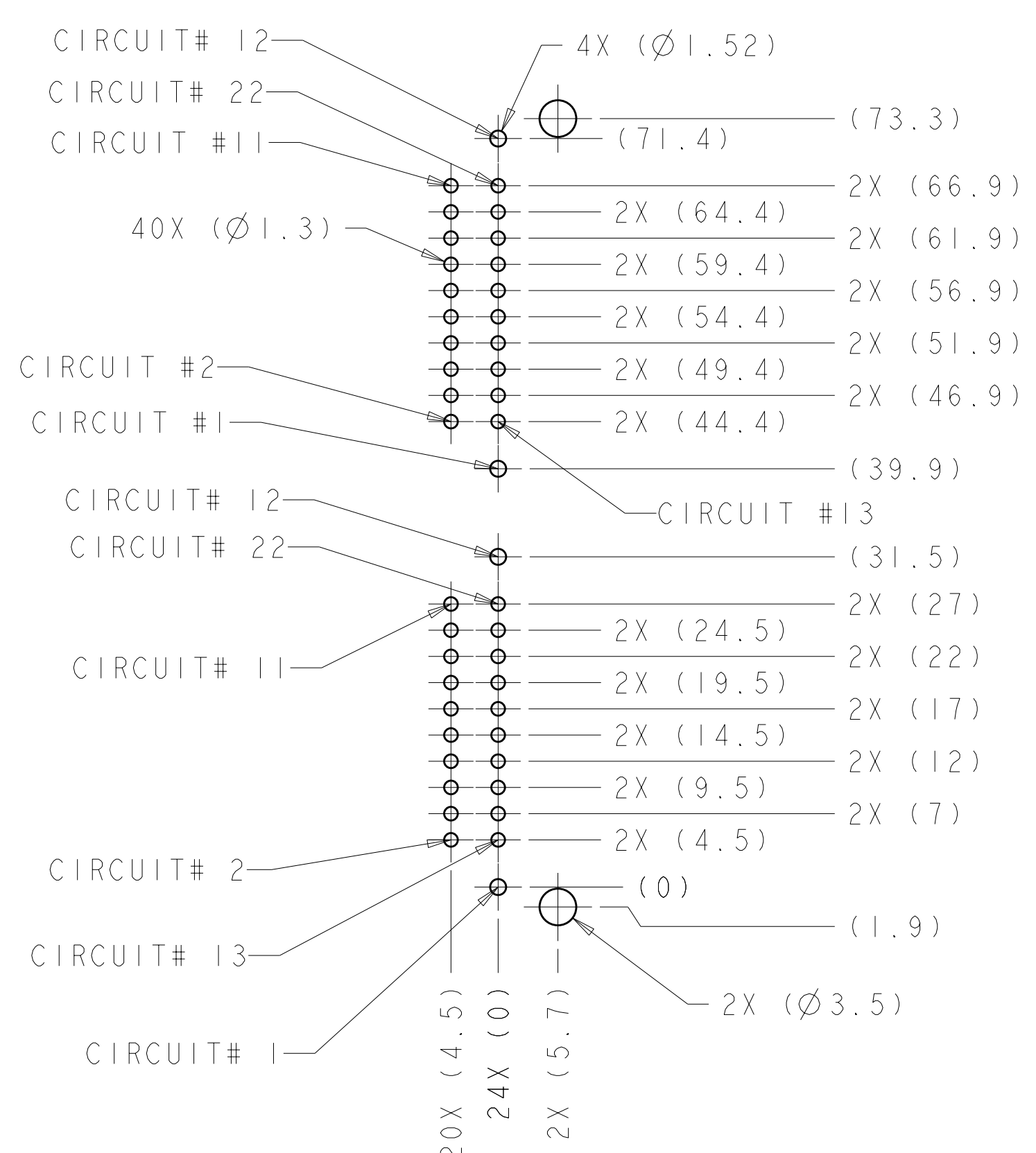
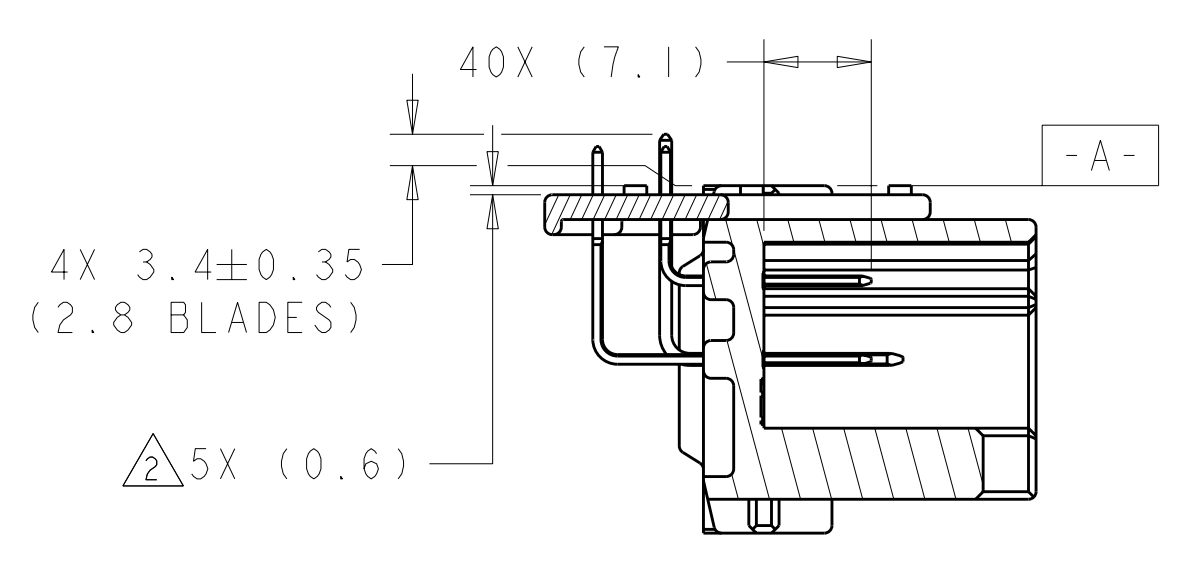


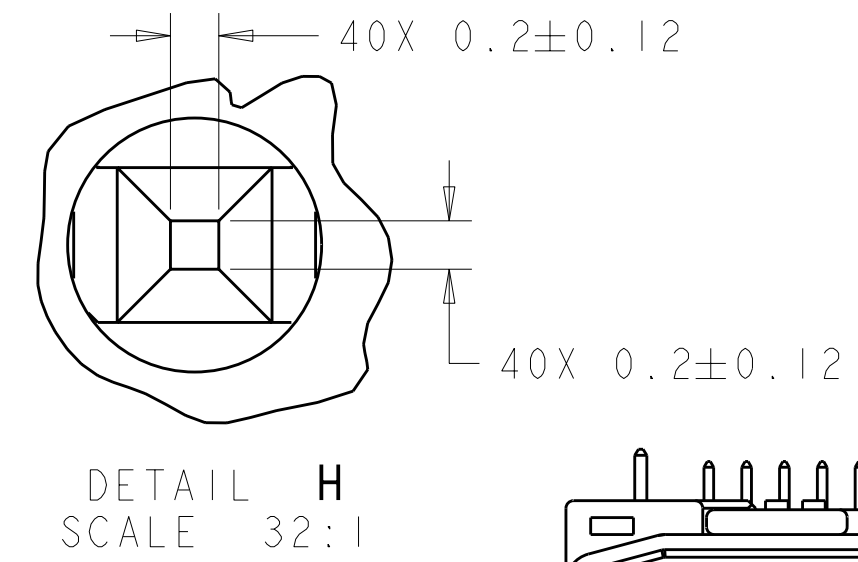
LOC	DIST	REV	DATE	APPD	REVISED PER
IN	00	A1	20SEP2011	DD	MB



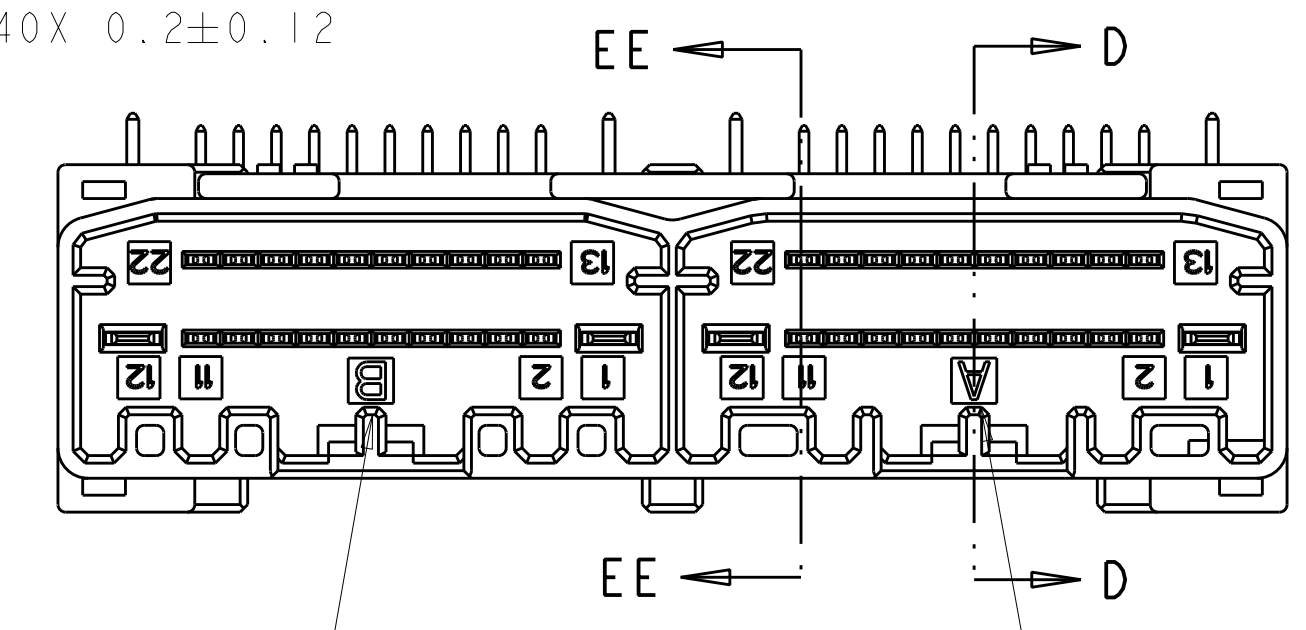
RECOMMENDED PCB LAYOUT  
 CONNECTOR SIDE  
 (RECOMMENDED BOARD THICKNESS 1.57mm)



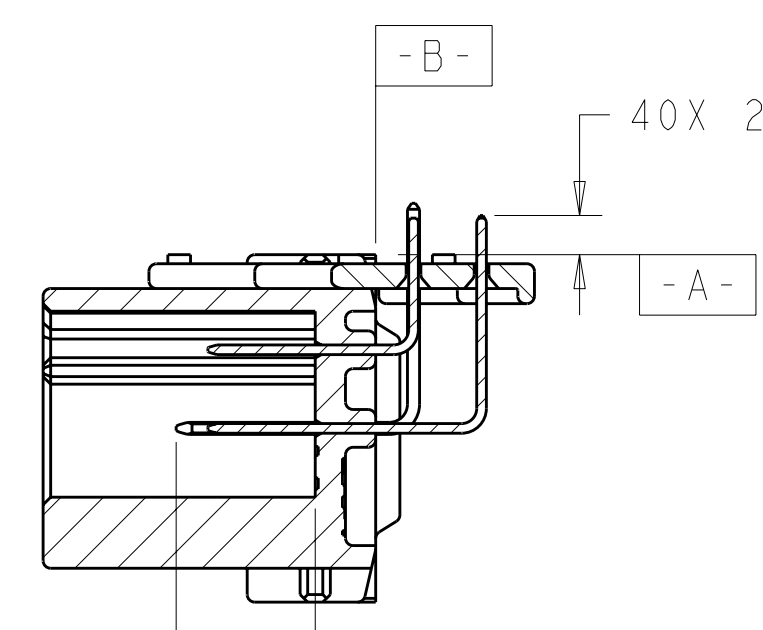
SECTION D-D



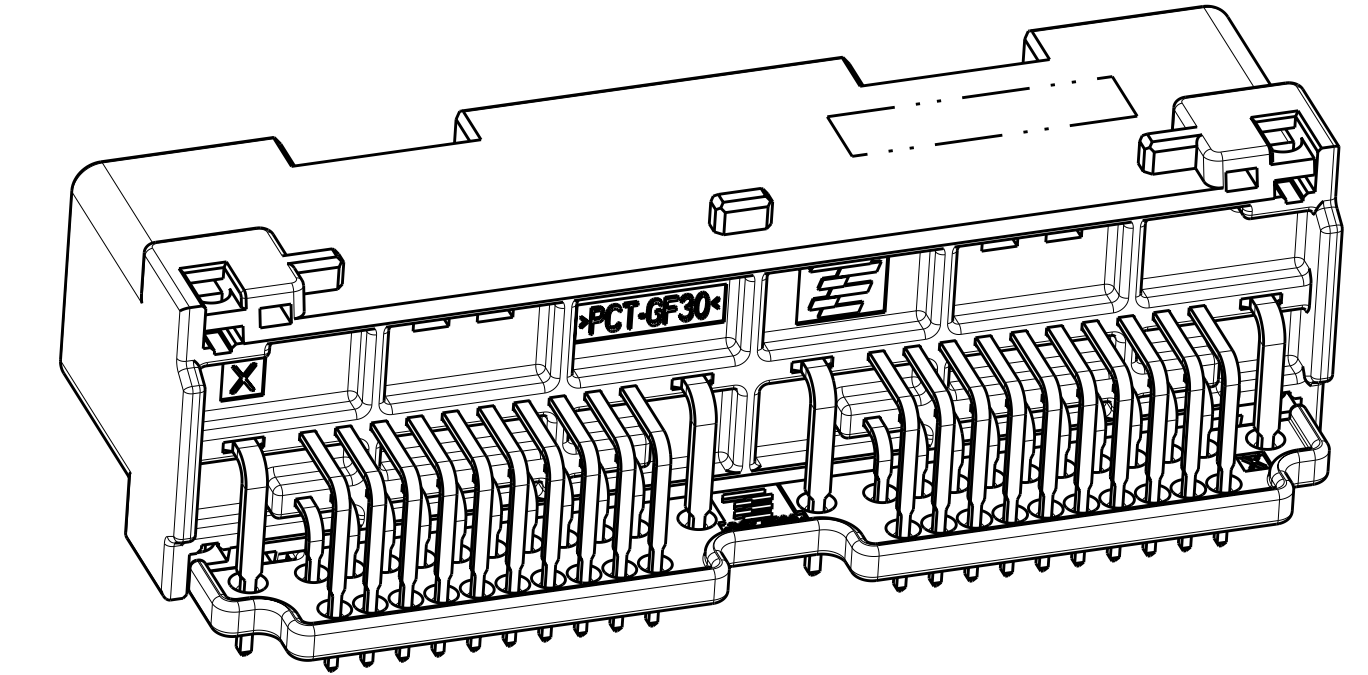
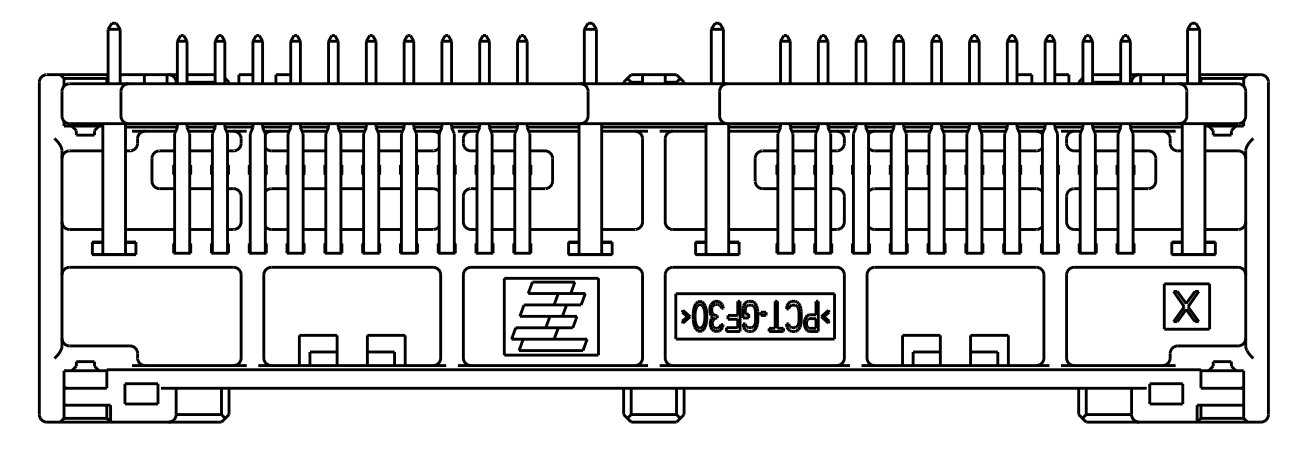
DETAIL H SCALE 32:1



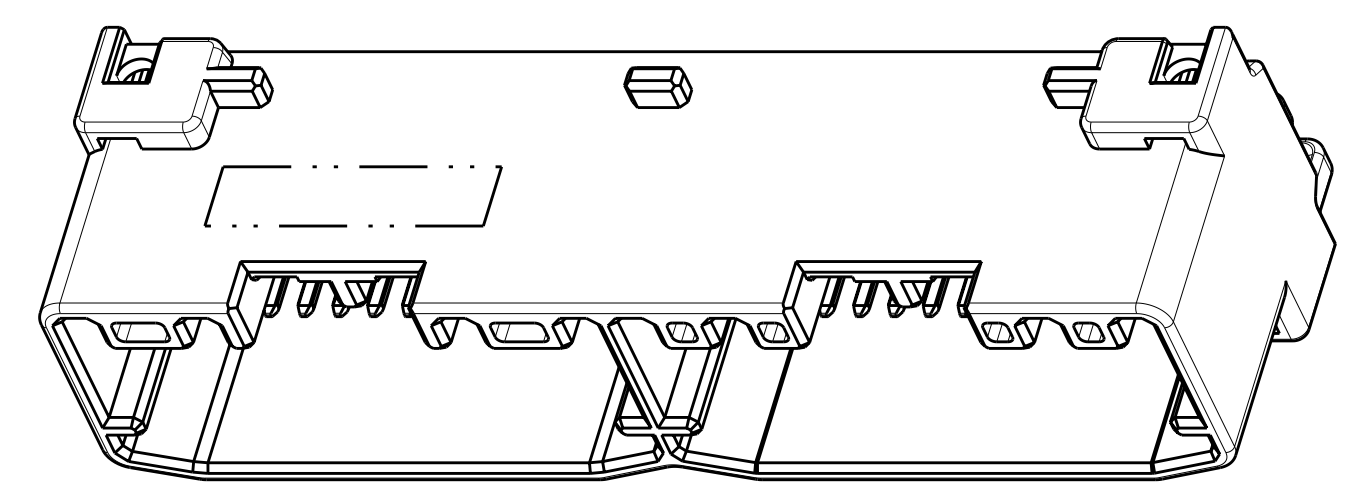
MATES WITH TE PART# 1438759-1 (WHITE)  
 MATES WITH TE PART# 1438761-6 (GRAY)



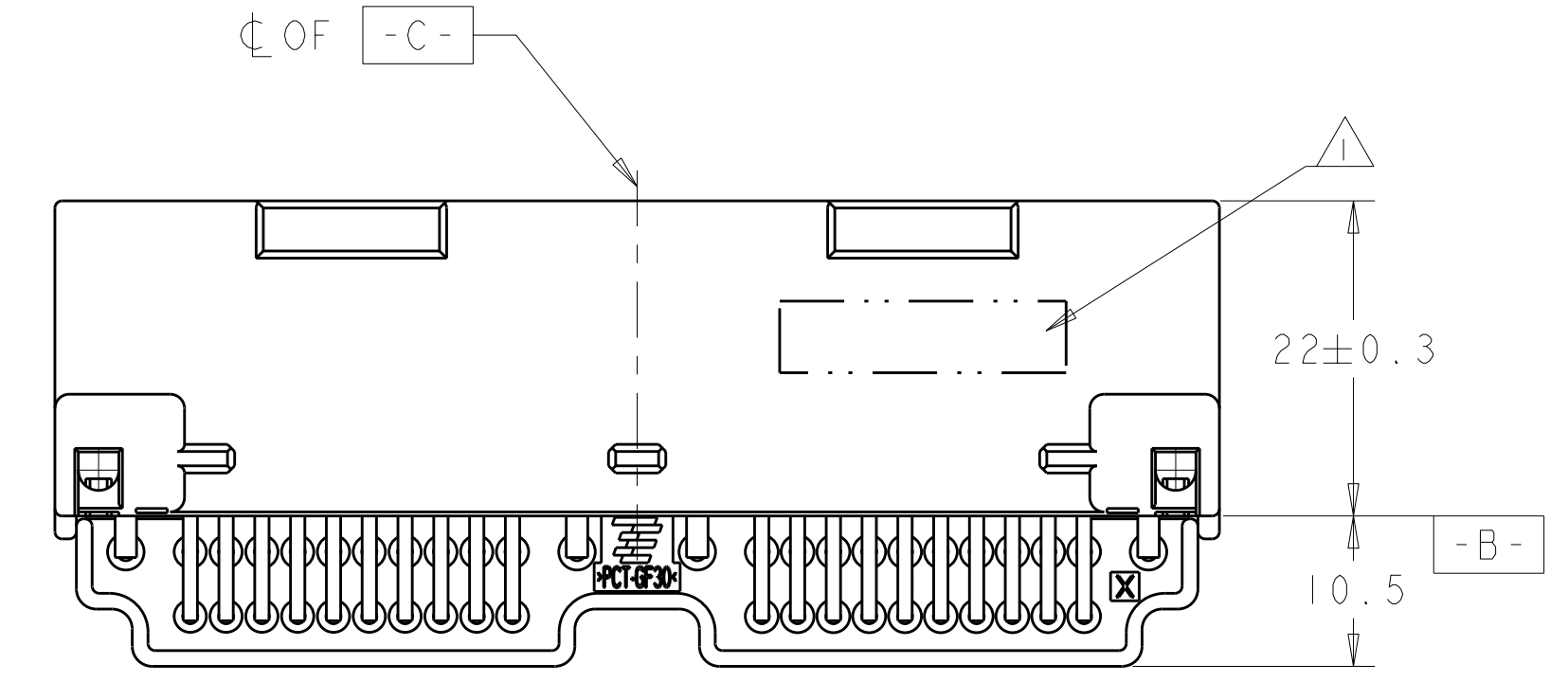
SECTION EE-EE



9-2035103-6 REF SCALE 2:1



9-2035103-6 REF SCALE 2:1



MATERIAL	FINISH	MATERIAL	FINISH	MATERIAL	COLOR	9-2035103-6
PCT	GRAY	BRASS	POST-TIN	PCT	GRAY	9-2035103-6
TINE PLATE			CONTACT		HOUSING	PART NUMBER

THIS DRAWING IS A CONTROLLED DOCUMENT.		DWN: T4MAR2008		NAME: 44P CAP ASSEMBLY 040/2.8 HYBRID (2X - 22P HYBRID) PINS OPPOSITE LATCHES	
DIMENSIONS: mm		CHK: B. BUCHTER T4MAR2008		SIZE: A100779	
TOLERANCES UNLESS OTHERWISE SPECIFIED:		APPD: B. BUCHTER T4MAR2008		SCALE: 2:1	
9 PLC ±0.0		PRODUCT SPEC: TBD		SHEET 1 OF 1	
1 PLC ±0.3		APPLICATION SPEC: TBD		REV: A1	
3 PLC ±0.1		WEIGHT: TBD			
5 PLC ±0.0		CUSTOMER DRAWING			
4 PLC ±0.0					
ANGLES ±0.2°					
FINISH					