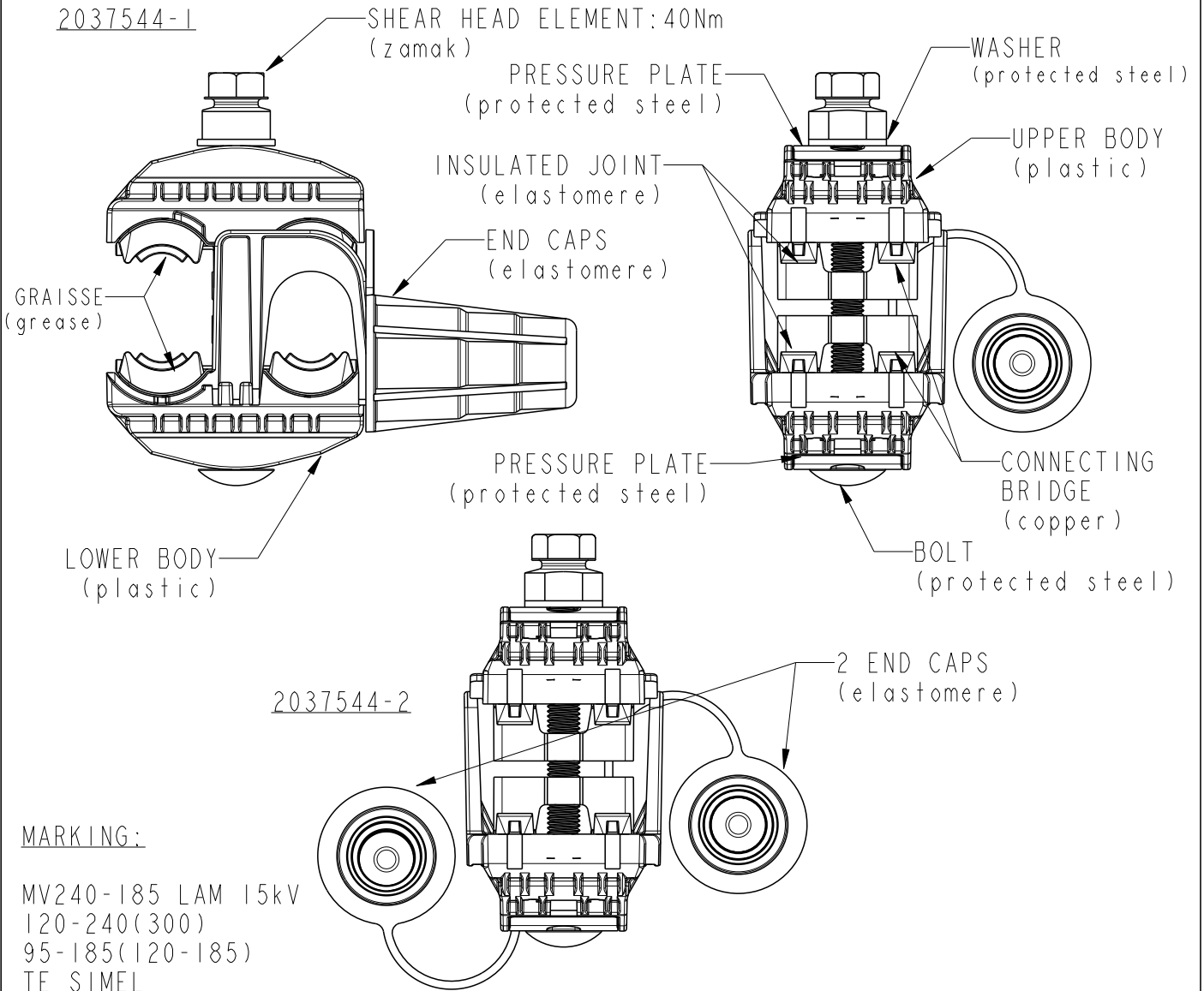


REVISIONS				
P	LTR REV	DESCRIPTION MODIFICATIONS	DATE	DWN DESS. APVD APP.
	A	CREATION	08FEB2016	JB AG


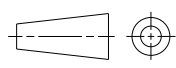


**MARKING:**

MV240-185 LAM 15kV  
 120-240(300)  
 95-185(120-185)  
 TE SIMEL

REFERENCE	PN	CAPACITIES MAIN mm <sup>2</sup>	CAPACITIES TAP mm <sup>2</sup>	END CAP
MV240-185	2037544-1	120-240(300)	95-185(120-185)	1
MV240-185 LAM	2037544-2	120-240(300)	95-185(120-185)	2

2011  
 RELEASED FOR PUBLICATION  
 LIBRE A LA DIFFUSION  
 ALL RIGHTS RESERVED.  
 TOUS DROITS RESERVES.  
 BY -  
 THIS DRAWING IS UNPUBLISHED.  
 DIFFUSION RESTREINTE  
 COPYRIGHT 2011

DIMENSIONS: mm		DWN/DESSINE BERLAND 08FEB2016	MATERIAL MATIERE -	TOLERANCES UNLESS OTHERWISE SPECIFIED: - TOLERANCES NON SPECIFIEES: -
TOLERANCES UNLESS OTHERWISE SPECIFIED: TOLERANCES NON SPECIFIEES (SUIV NB DE DECIMALES): 0 PLC/DEC: ±0 1 PLC/DEC: ±0 2 PLC/DEC: ±0 3 PLC/DEC: ±0 4 PLC/DEC: ±0 ANGLES ±-		CHK/VERIFIE SHI -	 TE Connectivity	
		APVD/APPROUVE MITCHELL -		
		PRODUCT SPEC SPEC. PRODUIT -	NAME TITRE MV240-185 MV240-185 LAM	
		APPLICATION SPEC SPEC. APPLICATION -	SIZE FORMAT A4	CAGE CODE -
WEIGHT MASSE APPROX. -		CUSTOMER DRAWING /PLAN CLIENT		
		UNIQUEMENT POUR REFERENCE	SCALE ECHELLE 1:3	SHEET FEUILLE 1 OF DE 1
				REV A