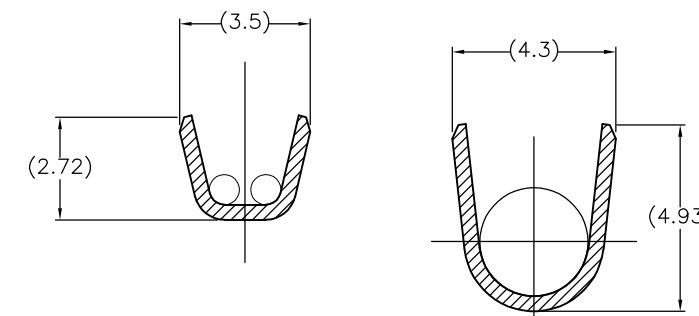
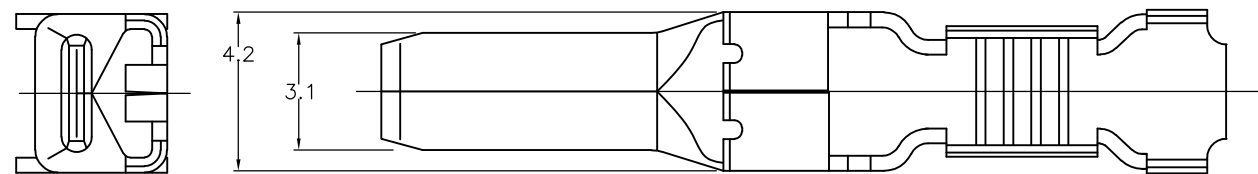
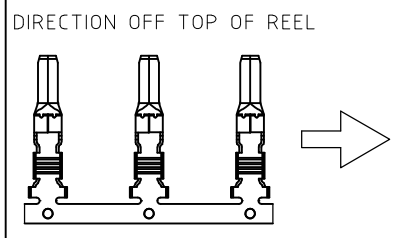


THIS DRAWING IS UNPUBLISHED. RELEASED FOR PUBLICATION

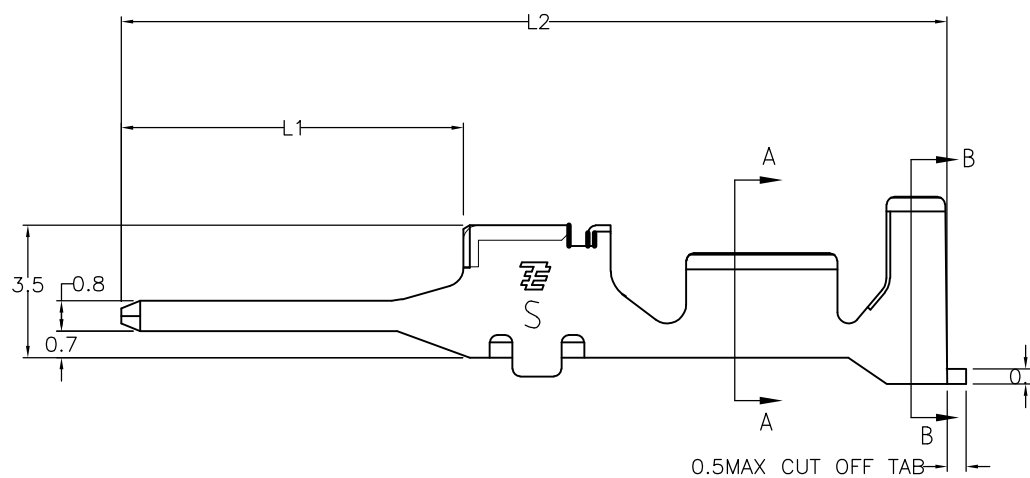
© COPYRIGHT BY TYCO ELECTRONICS CORPORATION. ALL INTERNATIONAL RIGHTS RESERVED.

| LOC | DIST | REVISIONS |     |                           |         |     |      |
|-----|------|-----------|-----|---------------------------|---------|-----|------|
|     |      | P         | LTR | DESCRIPTION               | DATE    | DWN | APVD |
| J   | -    |           | B   | REVISED PER ECR-10-010449 | 12JUL10 | HMR | TM   |



断面 A-A  
SECTA-A

断面 B-B  
SECTB-B



- 注)
- 1.一般公差: ±0.25
  - 2.材料: 銅合金全面Niめっき 1.3µm 以上  
接点部金めっき 0.38µm 以上めっき
  - 3.適用電線: AWG#20-#16 (被覆外径 Φ1.8~Φ3.23)

- NOTES)
- 1.GENERAL TOLERANCE: ±0.25
  - 2.MATERIAL: COPPER ALLOY, FINISH: OVER NI PLATING 1.3 µm MIN.  
(CONTACT AREA) 0.38 µm MIN GOLD PLATING
  - 3.APPLICABLE WIRE: AWG#20-#16 (INS DIA Φ1.8~Φ3.23)

S SIZE

|      |       |             |
|------|-------|-------------|
| 25.5 | 12.75 | 1-2040586-1 |
| 21.8 | 9.05  | 2040586-1   |
| L2   | L1    | Part Number |

|   |  |                                  |  |           |            |               |
|---|--|----------------------------------|--|-----------|------------|---------------|
| THIS DRAWING IS A CONTROLLED DOCUMENT.                                      |  | DWN<br>H.URUSHIBATA<br>18JUN2008 | Tyco Electronics Corporation<br>BRUNSWICK, AUSTRALIA |           |            |               |
| DIMENSIONS:<br>mm   |  | CHK<br>S.MANABE<br>18JUN2008     |  |           |            |               |
| TOLERANCES UNLESS OTHERWISE SPECIFIED:                                      |  | APVD<br>S.MANABE<br>18JUN2008    | NAME   |           |            |               |
| 0 PLC ± -<br>1 PLC ± -<br>2 PLC ± -<br>3 PLC ± -<br>4 PLC ± -<br>ANGLES ± - |  | PRODUCT SPEC<br>108-78182        | DYNAMIC D4200<br>TAB CONTACT (S SIZE) L/P            |           |            |               |
| MATERIAL  |  | APPLICATION SPEC<br>114-5369     | SIZE   | CAGE CODE | DRAWING NO | RESTRICTED TO |
| FINISH  |  | WEIGHT                           | A3   | 00779     | C-2040586  | -             |
| CUSTOMER DRAWING  |  |                                  | SCALE  | SHEET     | REV        |               |
|   |  |                                  | 5:1  | 1 OF 1    | B          |               |