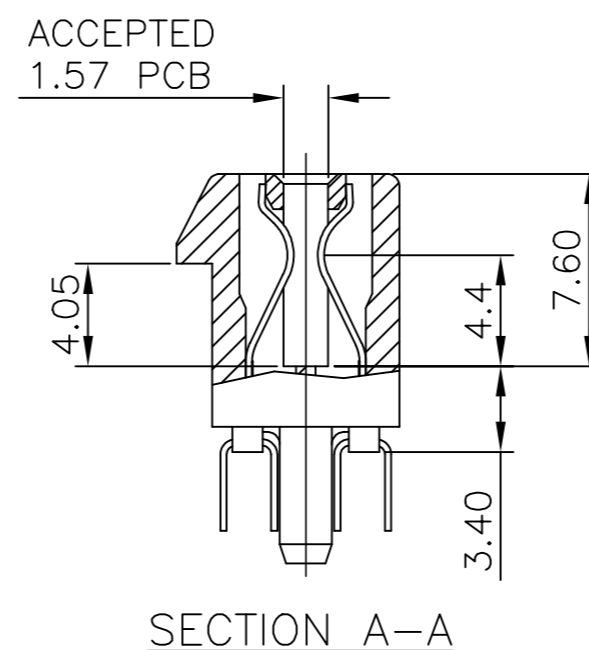
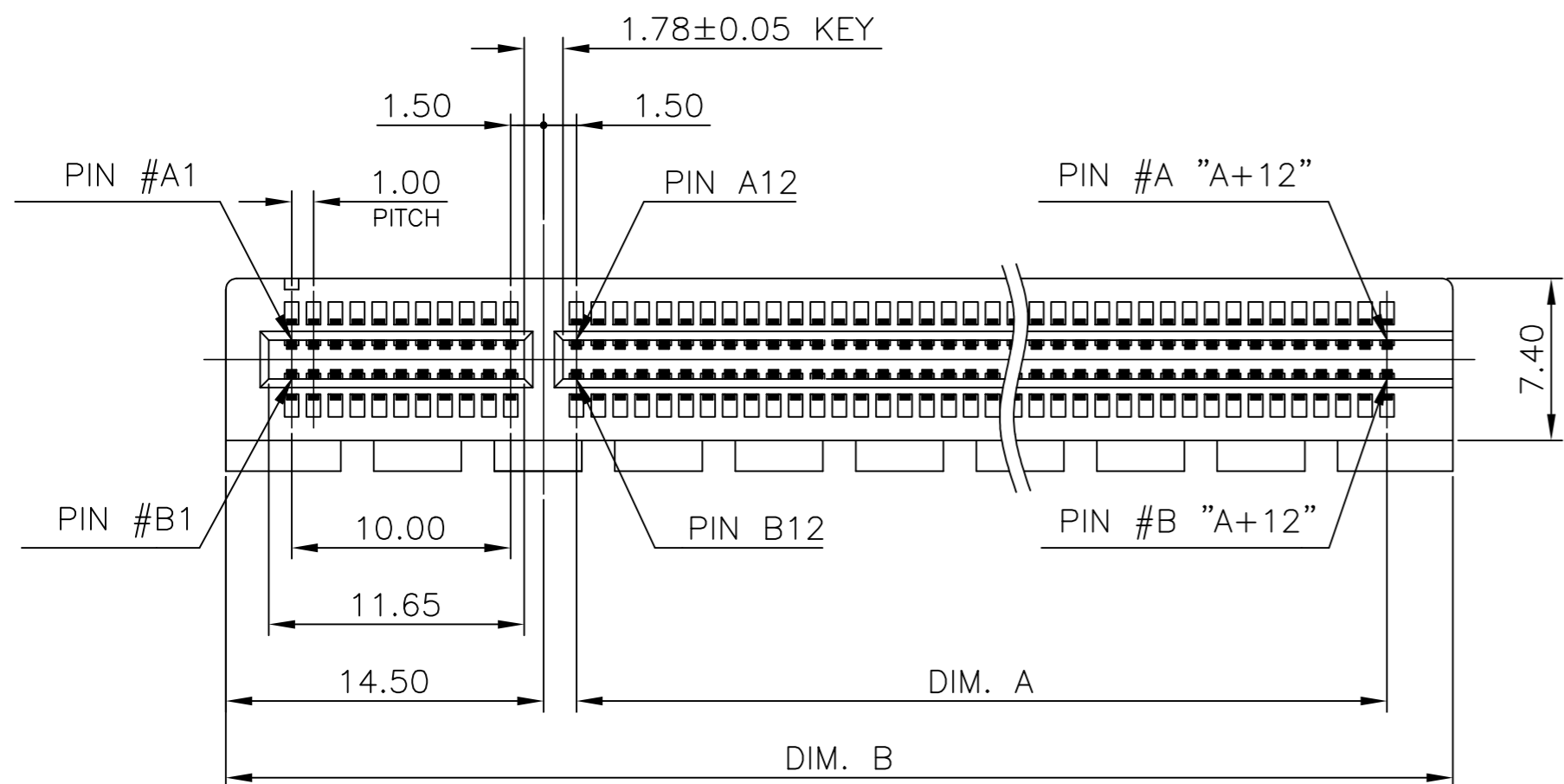


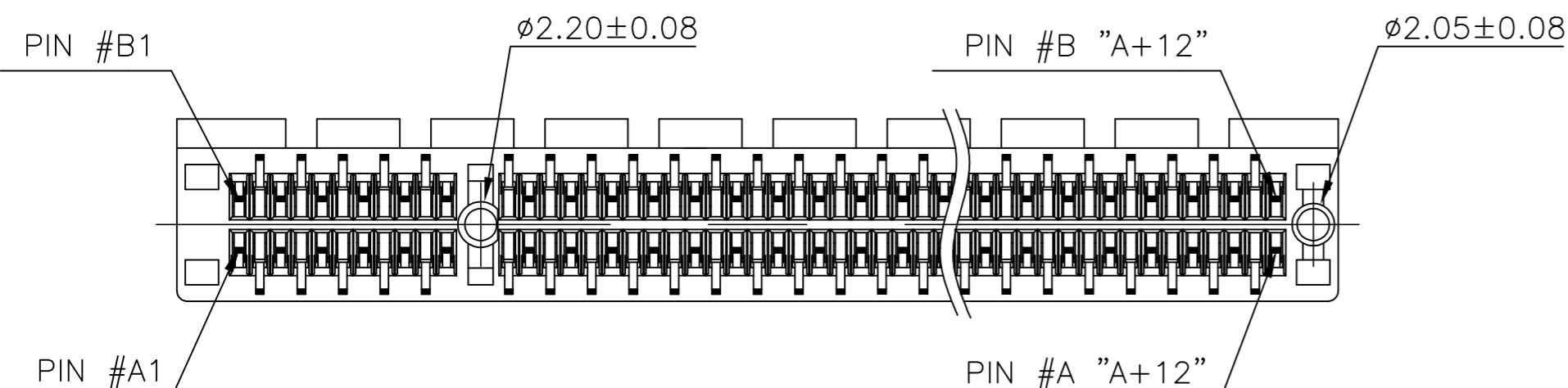
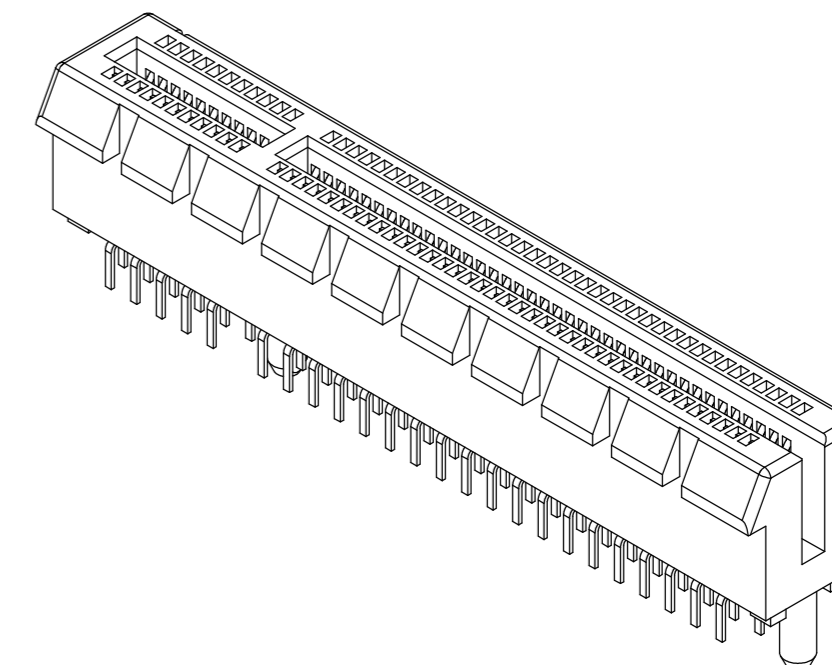
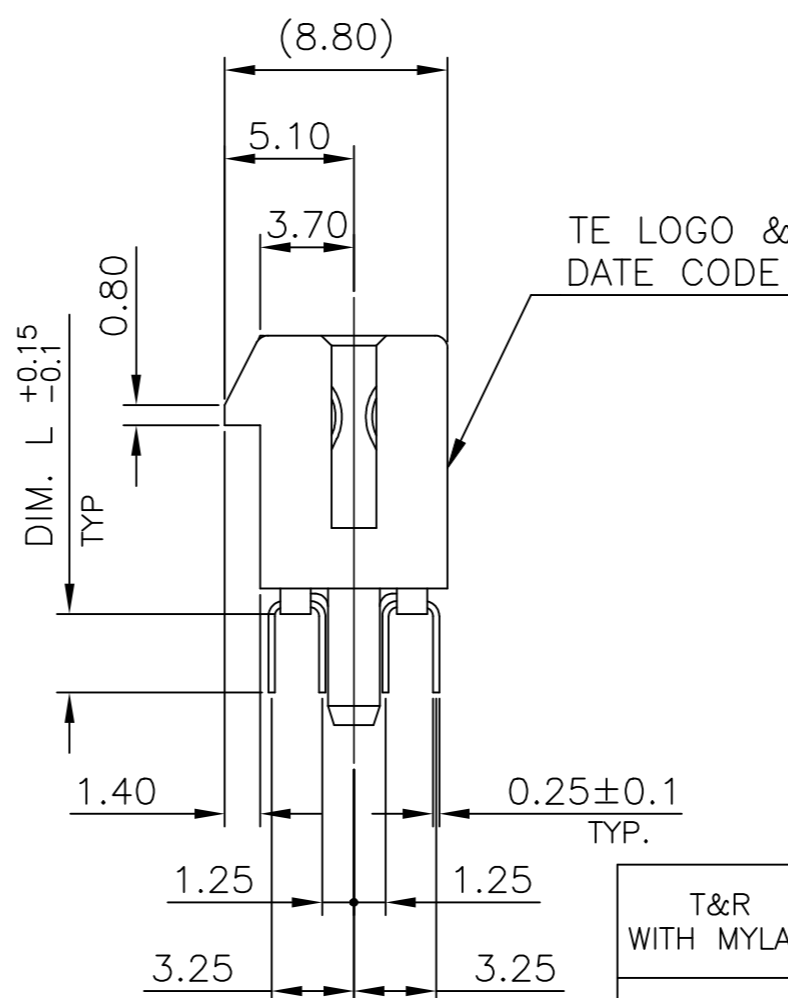
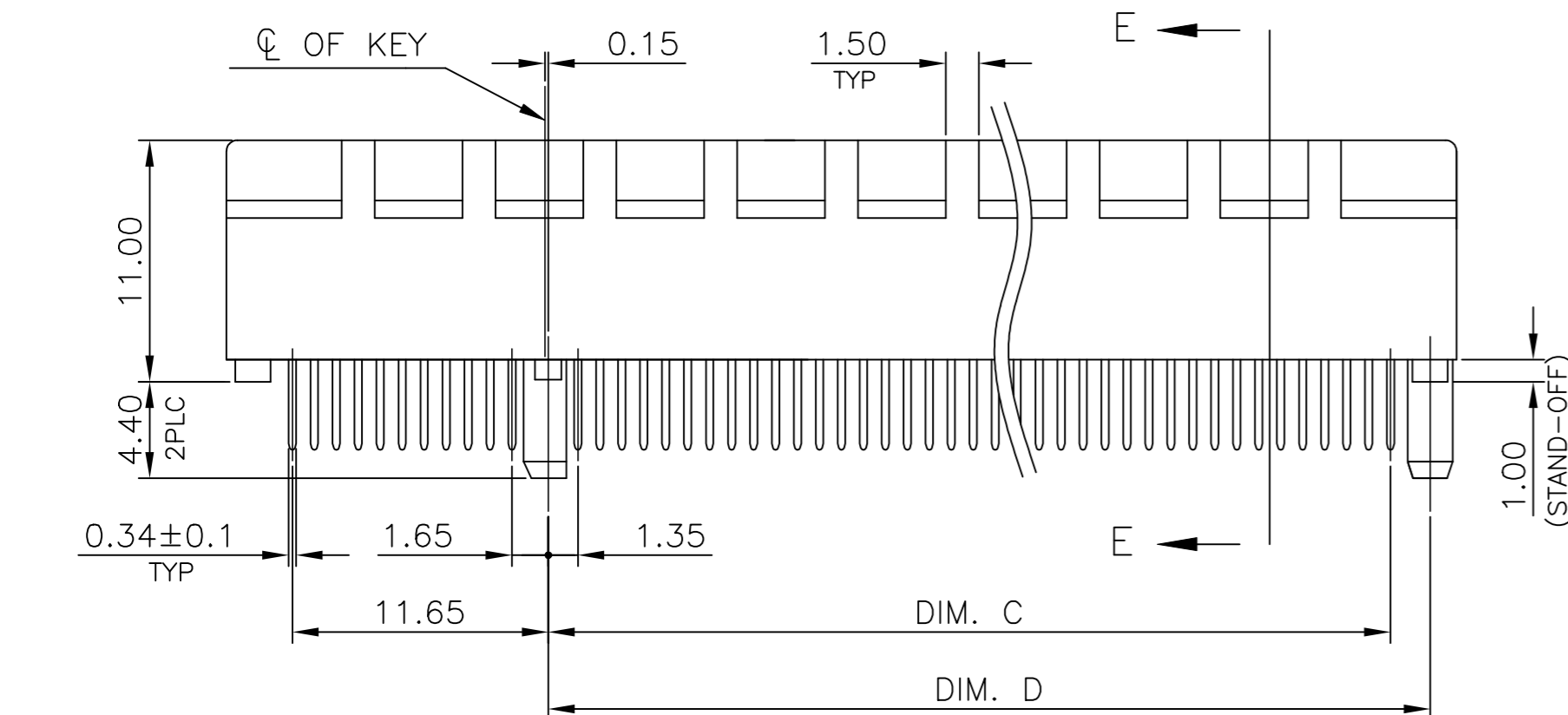
THIS DRAWING IS UNPUBLISHED. RELEASED FOR PUBLICATION
 © COPYRIGHT - By - ALL RIGHTS RESERVED.

REVISIONS					
P	LTR	DESCRIPTION	DATE	DWN	APVD
F		ECR-18-007447	12NOV2018	FL	HL



NOTE:

- MATERIAL:
HOUSING: PA9T, UL94 V-0, COLOR: SEE TABLE.
CONTACTS: PHOSPHOR BRONZE.
- FINISH:
CONTACTS: (SEE TABLE) GOLD PLATED ON CONTACT AREA.
2.54um [100u"] MIN. MATTE-TIN ON SOLDER TAIL.
1.27um [50u"] MIN. NICKEL UNDERPLATED OVERALL.
- WAVE SOLDER CAPABLE TO 265°C PER TE SPEC. 109-202, CONDITION B.
- CONNECTOR HAS MET THE REQUIREMENTS PER PCI EXPRESS GEN 2 TECHNICAL DOCUMENT.



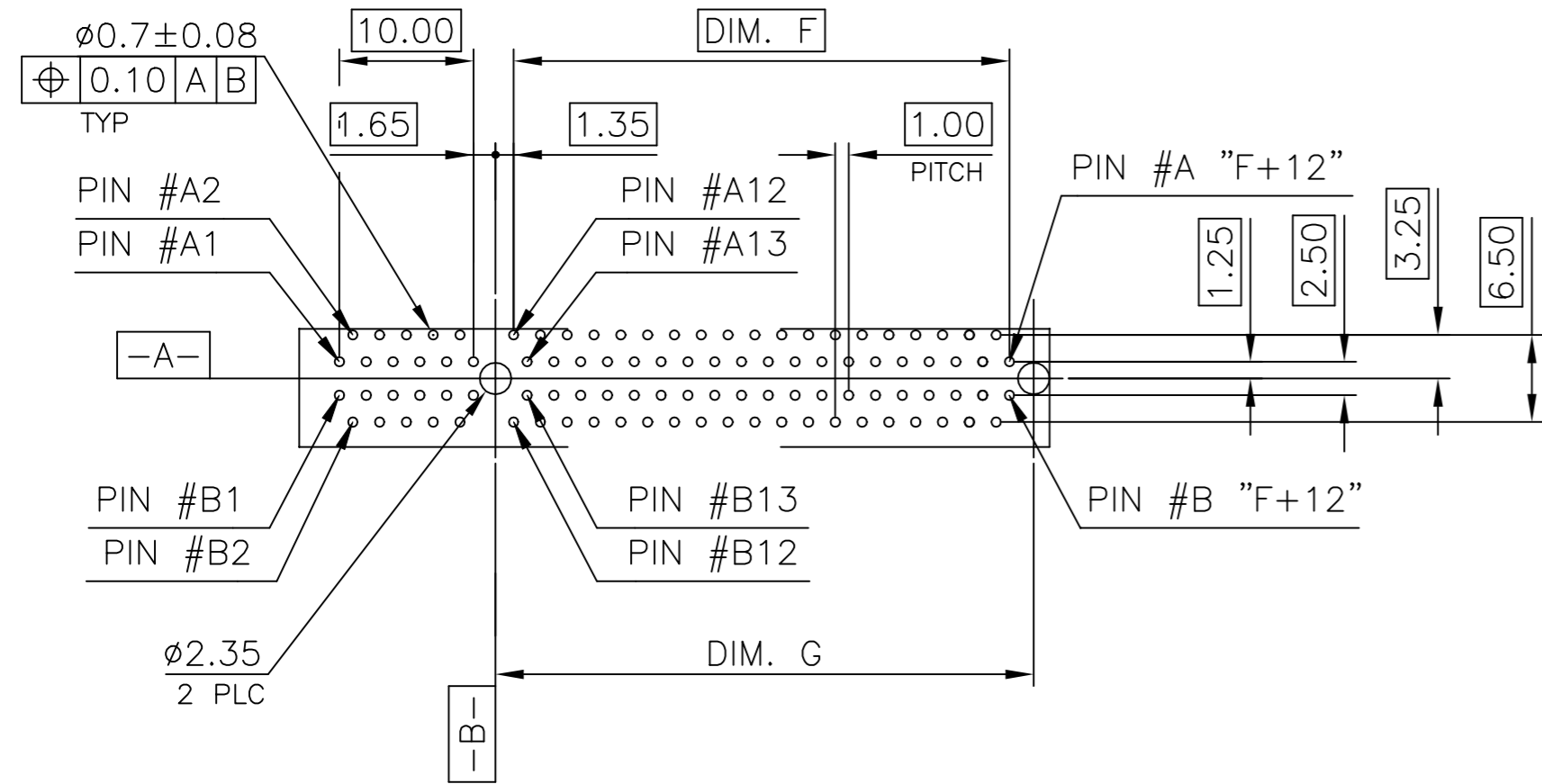
T&R WITH MYLAR	5.45	2.3	40.15	38.35	56.0	37.0	15u"	BLACK	98	3-2041242-1	
TRAY	8.6	2.3	73.15	71.35	89.0	70.0	30u"	BLACK	164	2-2041242-2	
	5.45		40.15	38.35	56.0	37.0	30u"		98	2-2041242-1	
	3.80		23.15	21.35	39.0	20.0	15u"	WHITE	64	1-2041242-3	
	5.40	3.1	40.15	38.35	56.0	37.0	15u"	BLACK	98	1-2041242-1	
	3.85		23.15	21.35	39.0	20.0	15u"		64	2041242-3	
	8.6		73.15	71.35	89.0	70.0	15u"		164	2041242-2	
5.45	40.15	38.35	56.0	37.0	15u"		98	2041242-1			
PACKING	WEIGHT (g)	WEIGHT	DIM. L	DIM. D	DIM.C	DIM.B	DIM.A	MIN GOLD THICKNESS	HOUSING COLOR	POS	PART NUMBER

THIS DRAWING IS A CONTROLLED DOCUMENT.

DIMENSIONS: mm	TOLERANCES UNLESS OTHERWISE SPECIFIED:	DWN E.LIU 11FEB2011	CHK S.CHEN 11FEB2011	APVD W.KODAMA 11FEB2011	NAME
0 PLC ± -	1 PLC ± 0.3	TE Connectivity			PCI EXPRESS CARD EDGE CONNECTOR VERTICAL, DIP TYPE, CUT-END WALL
2 PLC ± 0.2	3 PLC ± 0.15	108-57787			
4 PLC ± -	ANGLES ± 3'	MATERIAL SEE NOTE	WEIGHT SEE TABLE	SIZE A2	CAGE CODE 00779
CUSTOMER DRAWING		SCALE -		SHEET 1 of 5	REV F

THIS DRAWING IS UNPUBLISHED. RELEASED FOR PUBLICATION
 © COPYRIGHT - By - ALL RIGHTS RESERVED.

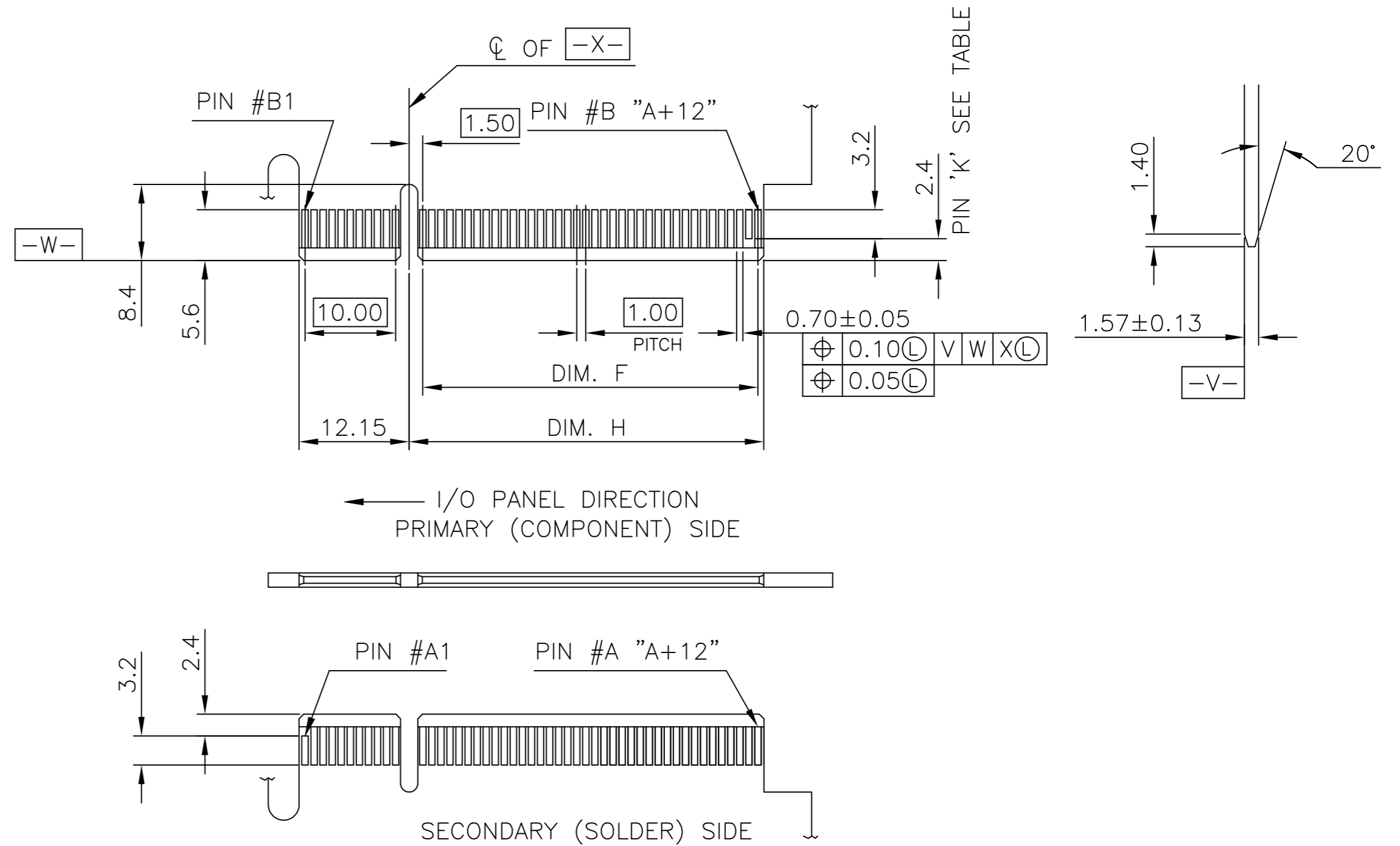
REVISIONS				
P	LTR	DESCRIPTION	DATE	APVD
-	-	SEE SHEET 1	-	-



RECOMMENDED PCB LAYOUT
 TOLERANCE: ± 0.05
 (APPLY TO P.C.B THICKNESS: 2.36mm)

ADD-IN CARD EDGE-FINGER DIMENSIONS

NOTES:
 CHAMFER EDGE MUST BE FREE OF CUTTING BURRS

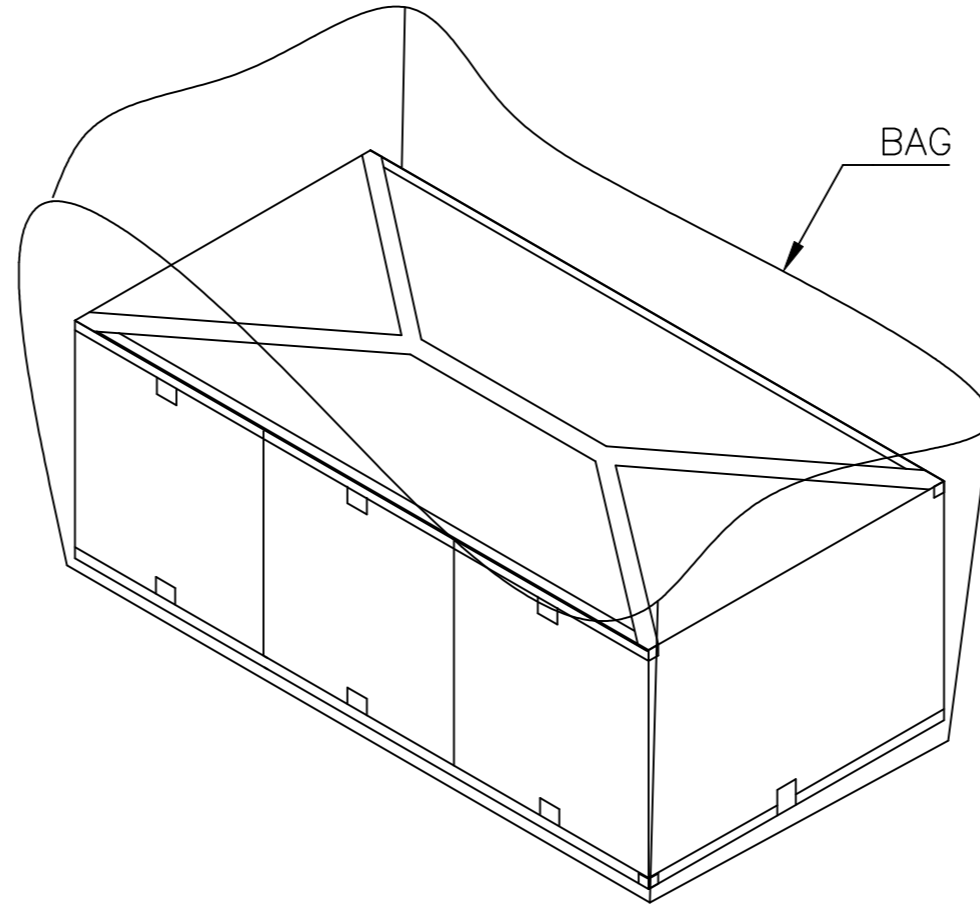
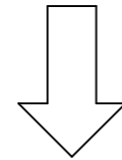
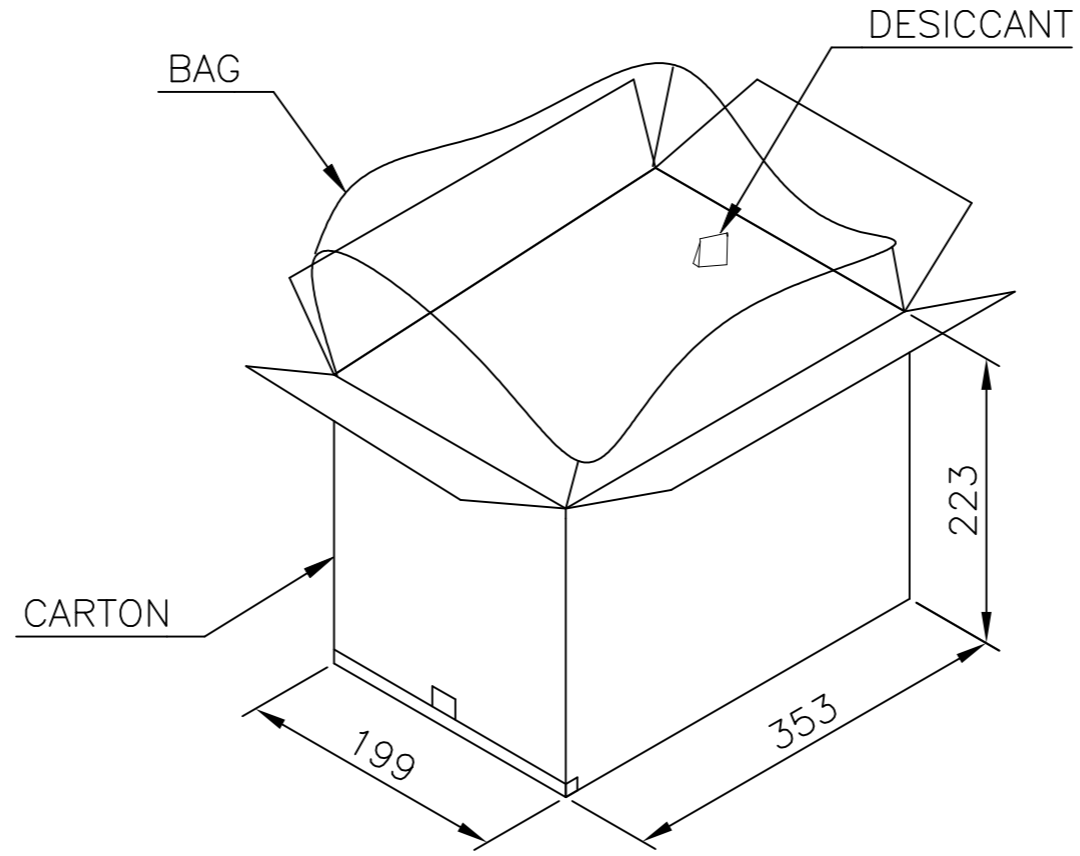
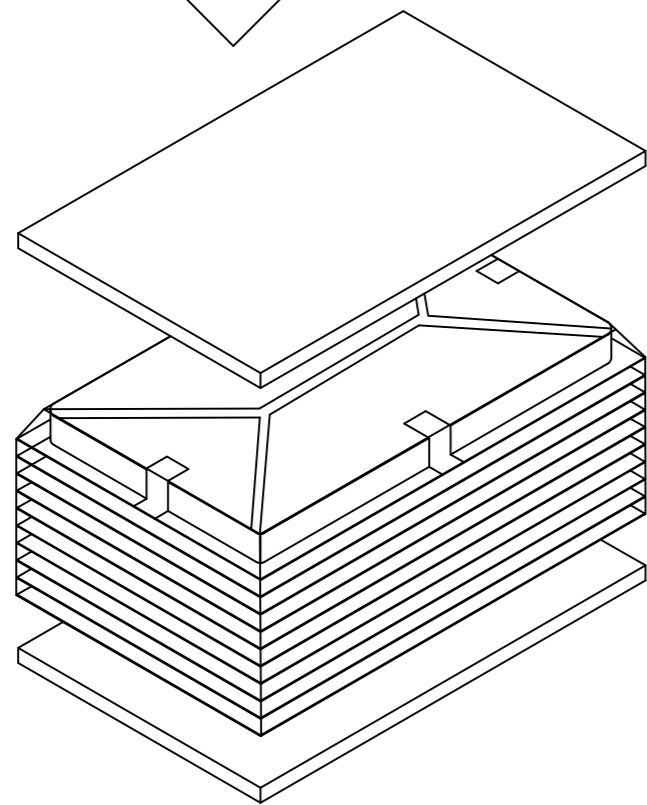
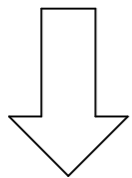
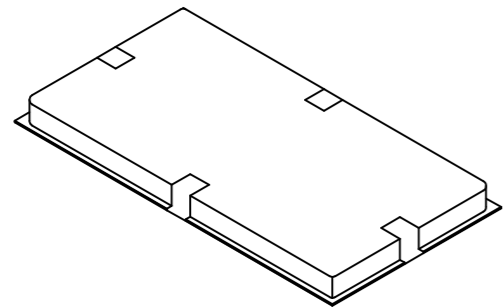
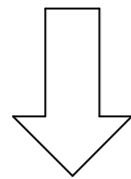
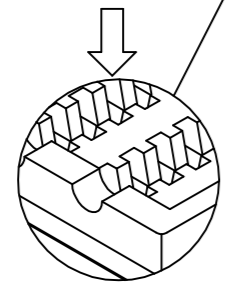
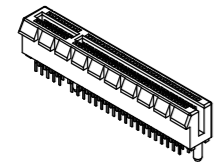
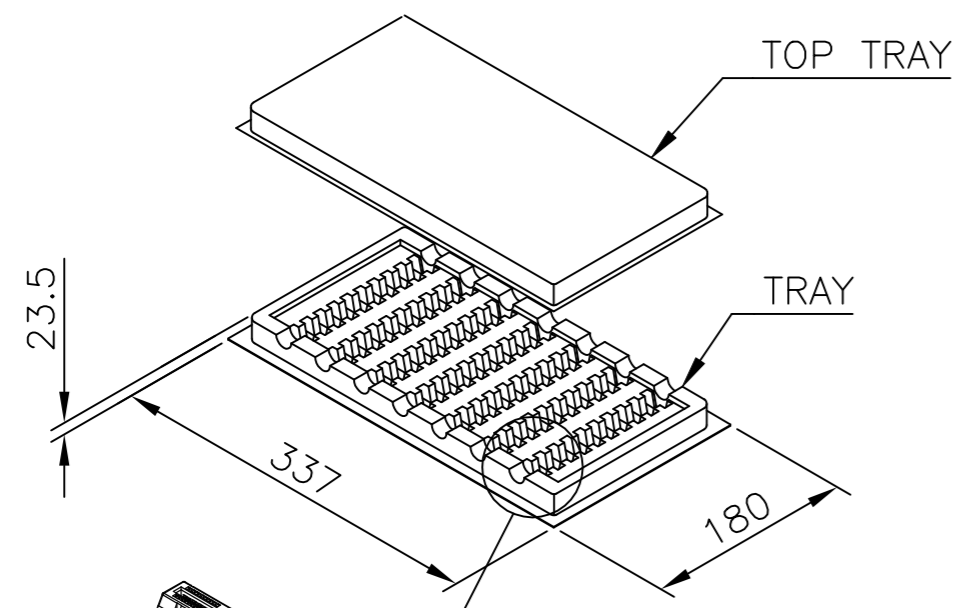


164	70.0	73.15	72.15	B17,B31,B48,B81
98	37.0	40.15	39.15	B17,B31,B48
64	20.0	23.15	22.15	B17,B31
POS.	DIM. F	DIM. G	DIM. H	"K"

THIS DRAWING IS A CONTROLLED DOCUMENT.		DWN E.LIU 11FEB2011																							
DIMENSIONS: mm		CHK S.CHEN 11FEB2011																							
TOLERANCES UNLESS OTHERWISE SPECIFIED:		APVD W.KODAMA 11FEB2011	NAME PCI EXPRESS CARD EDGE CONNECTOR VERTICAL, DIP TYPE, CUT-END WALL																						
<table border="1"> <tr><td>0 PLC</td><td>±</td><td>-</td></tr> <tr><td>1 PLC</td><td>±</td><td>-</td></tr> <tr><td>2 PLC</td><td>±</td><td>-</td></tr> <tr><td>3 PLC</td><td>±</td><td>-</td></tr> <tr><td>4 PLC</td><td>±</td><td>-</td></tr> <tr><td>ANGLES</td><td>±</td><td>-</td></tr> <tr><td>FINISH</td><td>-</td><td>-</td></tr> </table>		0 PLC	±	-	1 PLC	±	-	2 PLC	±	-	3 PLC	±	-	4 PLC	±	-	ANGLES	±	-	FINISH	-	-	PRODUCT SPEC APPLICATION SPEC	SIZE A2	CAGE CODE 00779
0 PLC	±	-																							
1 PLC	±	-																							
2 PLC	±	-																							
3 PLC	±	-																							
4 PLC	±	-																							
ANGLES	±	-																							
FINISH	-	-																							
MATERIAL		WEIGHT	DRAWING NO C=2041242	RESTRICTED TO																					
		CUSTOMER DRAWING	SCALE	SHEET 2 of 5																					
			REV	F																					

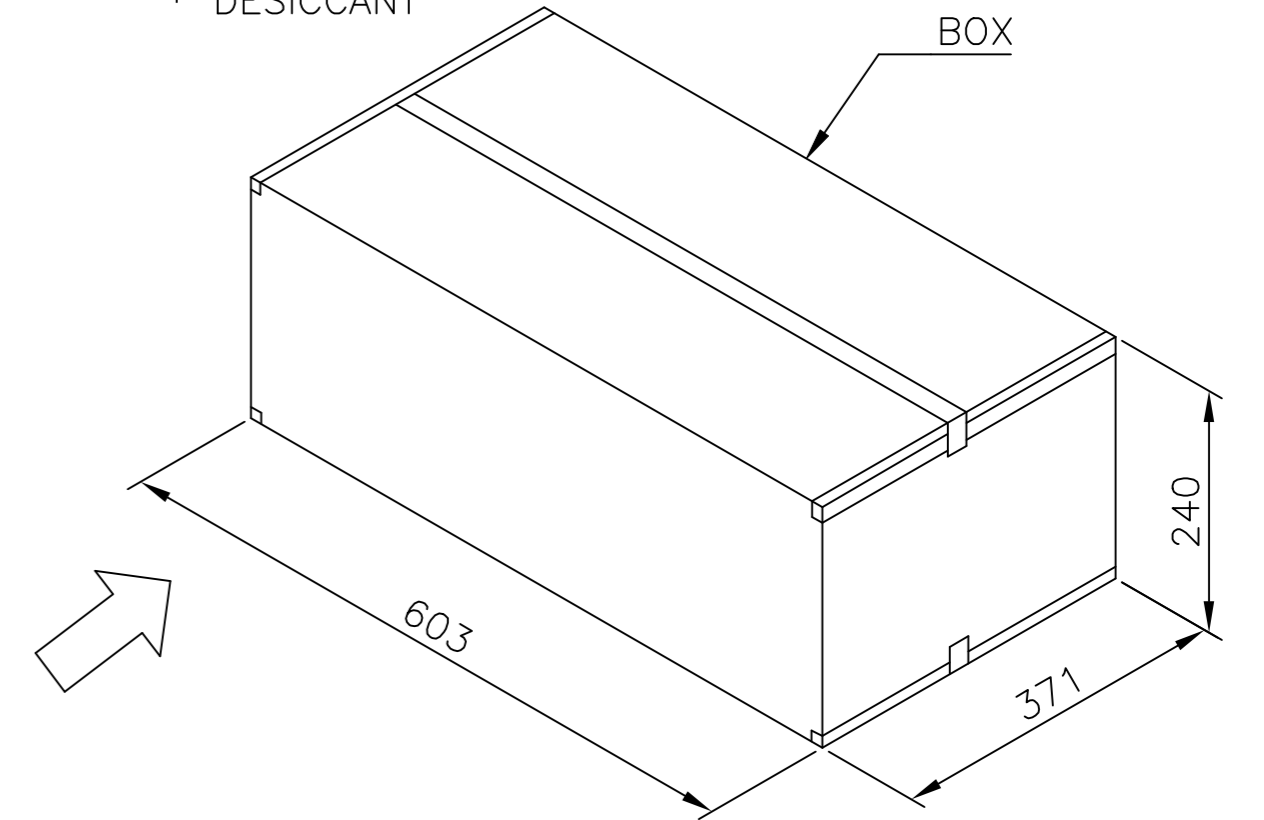
THIS DRAWING IS UNPUBLISHED. RELEASED FOR PUBLICATION
 © COPYRIGHT - By - ALL RIGHTS RESERVED.

REVISIONS						
P	LTR	DESCRIPTION	DATE	DWN	APVD	
-	-	SEE SHEET 1	-	-	-	-



NOTES :

- MATERIAL :
 TRAY: PVC, COLOR: TRANSPARENT.
 CARTON: CORRUGATED FIBER
 BOX: CORRUGATED FIBER
 TRANSPARENT BAG: PE
- DIMENSION :
 TRAY: SEE DRAWING
 CARTON: SEE DRAWING
 BOX: SEE DRAWING
 TRANSPARENT BAG: 480mm*350mm*0.06mm
 600mm*590mm*0.06mm
- QUANTITY: SEE TABLE
- WEIGHT: SEE TABLE
- EACH BAG SHALL BE INCLUDED:
 * DESICCANT



10.2 KG	8.2 KG	30	10	3	900	164
9.0 KG	7.0 KG	40	10	3	1200	98
8.5 KG	6.5 KG	60	10	3	1800	64
GROSS WEIGHT	NET WEIGHT	PCS/ TRAY	TRAY/ CARTON	CARTON/ BOX	PCS/ BOX	POS

D

C

B

A

D

C

B

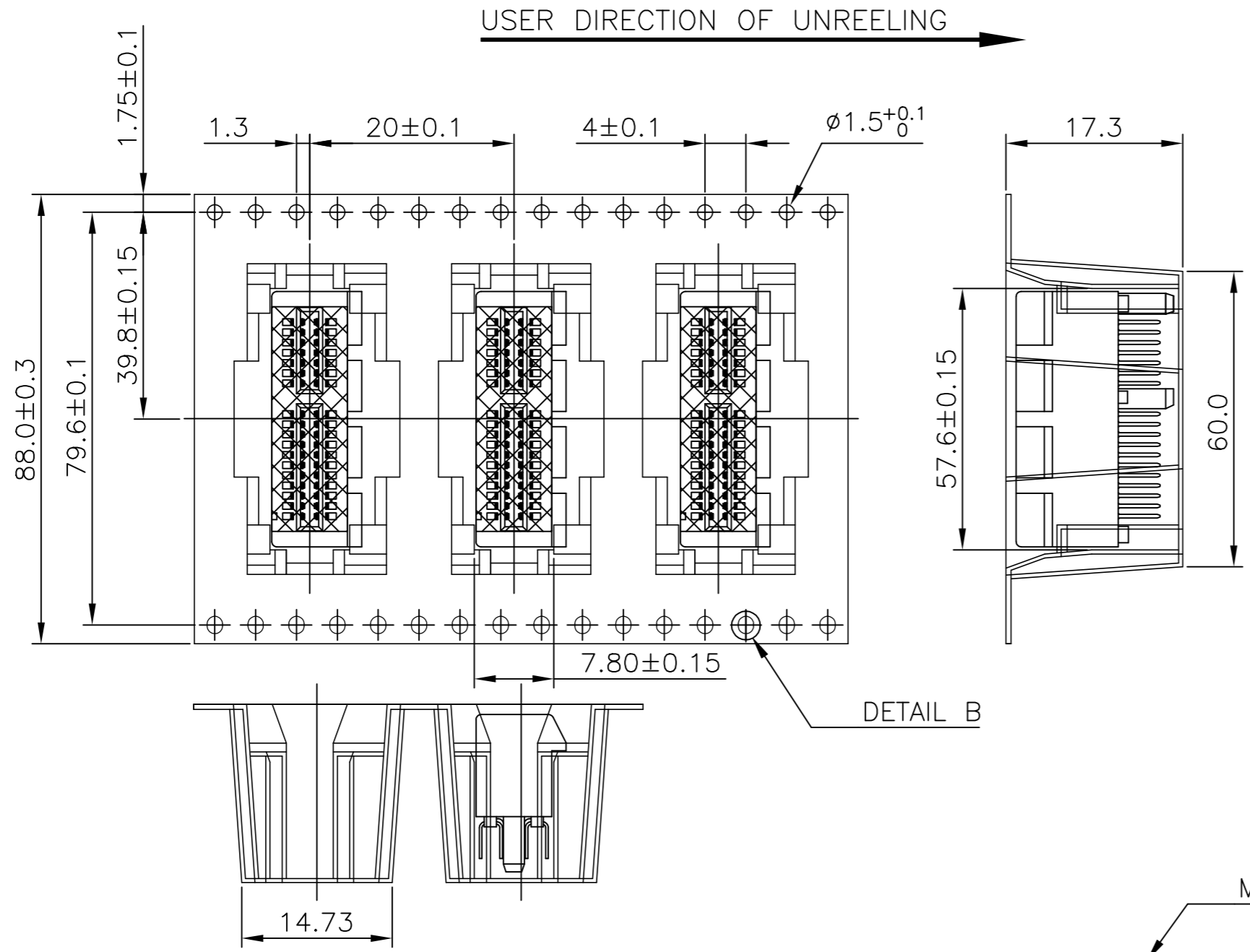
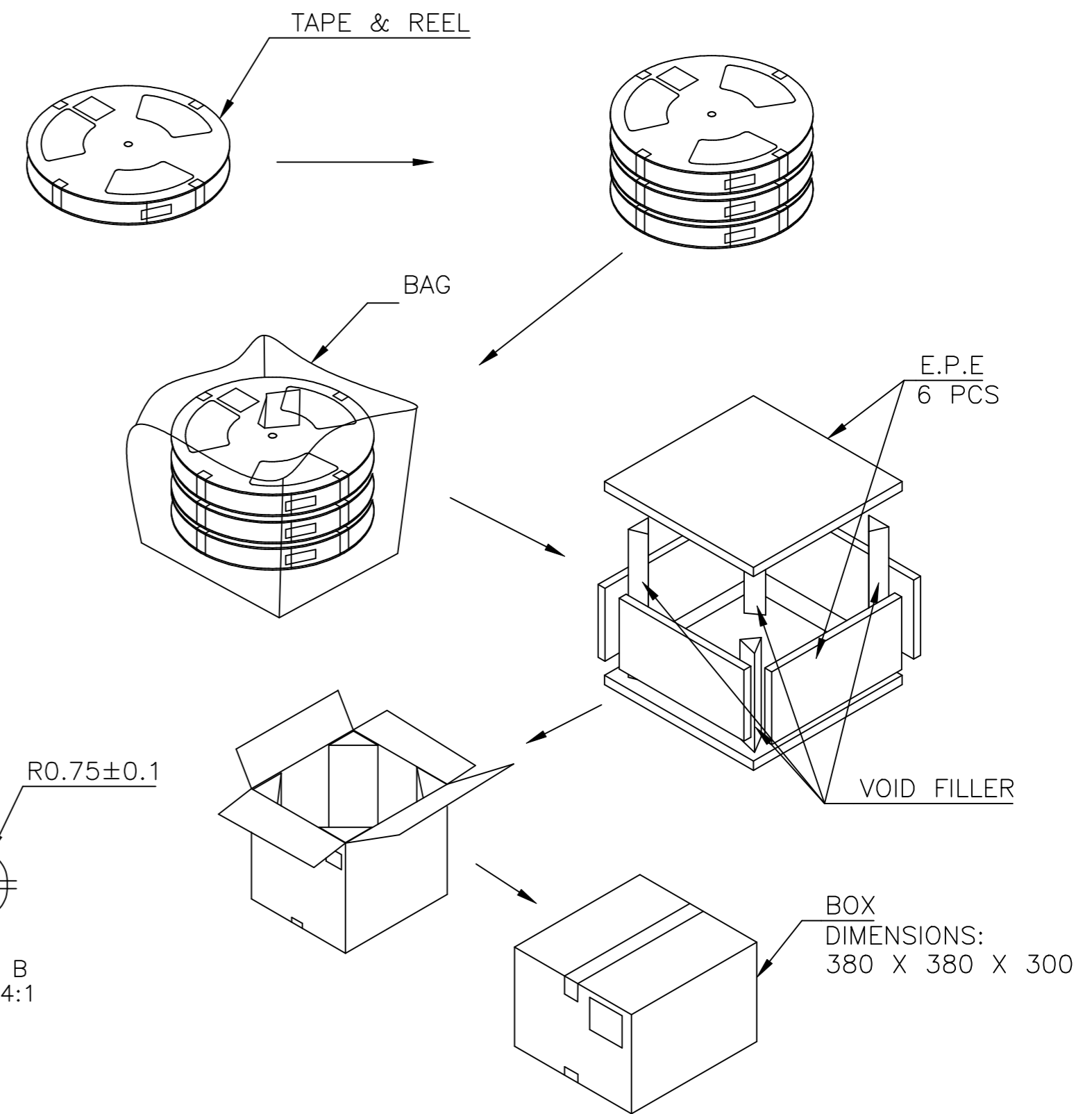
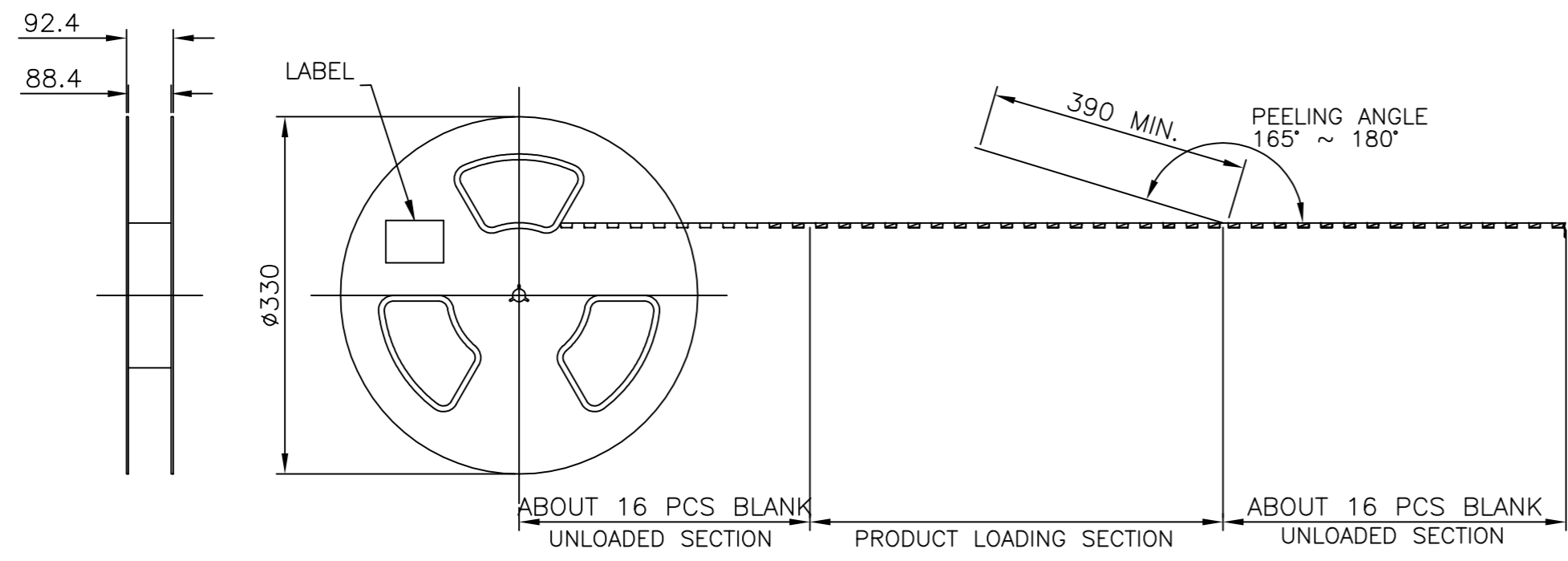
A

2041242

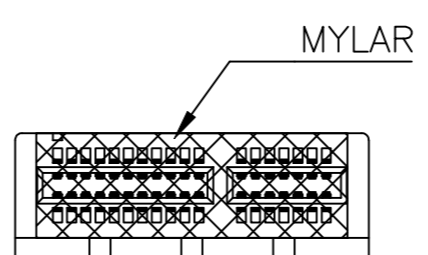
THIS DRAWING IS A CONTROLLED DOCUMENT.		DWN E.LIU 11FEB2011				
DIMENSIONS: mm		CHK S.CHEN 11FEB2011				
TOLERANCES UNLESS OTHERWISE SPECIFIED:		APVD W.KODAMA 11FEB2011	NAME PCI EXPRESS CARD EDGE CONNECTOR VERTICAL, DIP TYPE, CUT-END WALL			
0 PLC ± - 1 PLC ± - 2 PLC ± - 3 PLC ± - 4 PLC ± - ANGLES ± -		PRODUCT SPEC APPLICATION SPEC	SIZE A2	CAGE CODE 00779	DRAWING NO C=2041242	RESTRICTED TO -
MATERIAL -		FINISH -	WEIGHT -	SCALE -	SHEET 3 of 5	REV F
CUSTOMER DRAWING						

THIS DRAWING IS UNPUBLISHED. RELEASED FOR PUBLICATION
 © COPYRIGHT - By - ALL RIGHTS RESERVED.

REVISIONS					
P	LTR	DESCRIPTION	DATE	DWN	APVD
-	-	SEE SHEET 1	-	-	-



- NOTES:
- MATERIAL:
 BOX: FIBREBOARD, CORRUGATED, DOUBLE WALL.
 COVER TAPE: PET, TRANSPARENT COLOR.
 CARRIER TAPE: POLYSTYRENES, BLACK COLOR.
 REEL: POLYSTYRENES, BLUE COLOR.
 BAG: POLYETHYLENE.
 MYLAR: PET.
 - PEELING STRENGTH: 0.1 ~ 1.3 N (10 ~ 130 GRAMS)
 - PEELING SPEED: 300 mm/min.
 - EACH BAG SHALL BE INCLUDED DESICCANT.



5.6 KG	2.80 KG	170	3	510	98P
GROSS WEIGHT	NET WEIGHT	PCS/ REEL	REEL/ BOX	PCS/ BOX	POSITION NUMBER

THIS DRAWING IS A CONTROLLED DOCUMENT.		DWN E.LIU 11FEB2011			
DIMENSIONS: mm		CHK S.CHEN 11FEB2011			
TOLERANCES UNLESS OTHERWISE SPECIFIED:		APVD W.KODAMA 11FEB2011	NAME PCI EXPRESS CARD EDGE CONNECTOR VERTICAL, DIP TYPE, CUT-END WALL		
0 PLC ± - 1 PLC ± - 2 PLC ± - 3 PLC ± - 4 PLC ± - ANGLES ± -		PRODUCT SPEC 108-57787	SIZE A2	CAGE CODE 00779	DRAWING NO C=2041242
MATERIAL SEE NOTE		WEIGHT SEE TABLE	RESTRICTED TO -	SCALE -	SHEET 4 of 5
		CUSTOMER DRAWING	REV F		

4

3

2

1

THIS DRAWING IS UNPUBLISHED.

RELEASED FOR PUBLICATION

ALL RIGHTS RESERVED.

© COPYRIGHT - By -

REVISIONS

P	LTR	DESCRIPTION	DATE	DWN	APVD
-	-	SEE SHEET 1	-	-	-


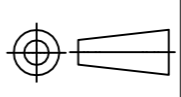
36 Pos.

NY 9T TYPE

64 Pos.

98 Pos.

164 Pos.

THIS DRAWING IS A CONTROLLED DOCUMENT.		DWN E.LIU 11FEB2011	 TE Connectivity	
DIMENSIONS: mm		CHK S.CHEN 11FEB2011		
		APVD W.KODAMA 11FEB2011		PCI EXPRESS CARD EDGE CONNECTOR VERTICAL, DIP TYPE, CUT-END WALL
TOLERANCES UNLESS OTHERWISE SPECIFIED:		PRODUCT SPEC		SIZE A2
0 PLC ± -		APPLICATION SPEC		CAGE CODE 00779
1 PLC ± -		WEIGHT		DRAWING NO C=2041242
2 PLC ± -		MATERIAL		RESTRICTED TO
3 PLC ± -		FINISH		SCALE
4 PLC ± -		CUSTOMER DRAWING		SHEET 5 of 5
ANGLES ± -				REV F

1471-9 (1/15)

2041242