

4

3

2

1

THIS DRAWING IS UNPUBLISHED.

RELEASED FOR PUBLICATION

---

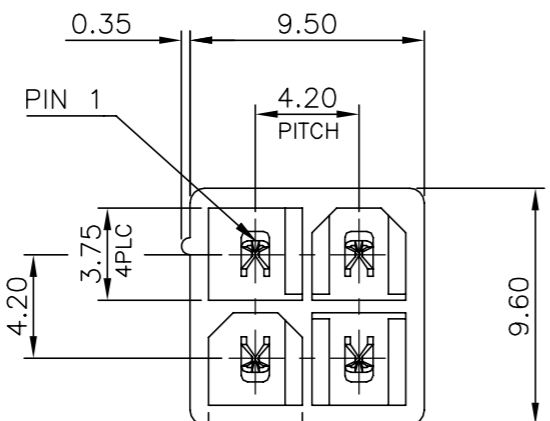
LOC

DIST

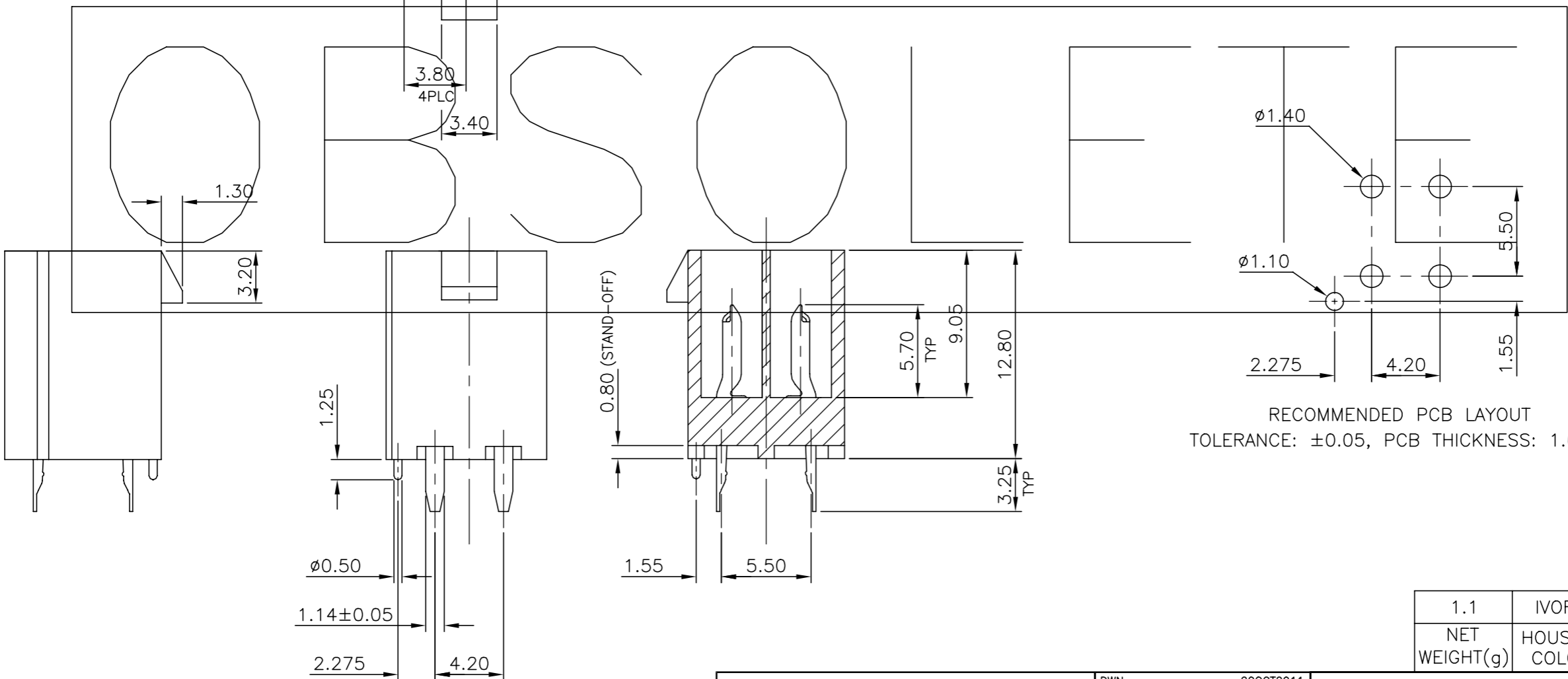
REVISIONS

© COPYRIGHT 2010 BY TYCO ELECTRONICS CORPORATION. ALL RIGHTS RESERVED.

P	LTR	DESCRIPTION	DATE	DWN	APVD
	B	REVISED PER ECO-20-010288	23JULY20	D.S	H.L



NOTE:  
 1. MATERIAL:  
 HOUSING: PA9T, UL94 V-0, COLOR: SEE TABLE.  
 CONTACTS: BRASS.  
 2. FINISH:  
 CONTACTS: 3.05um [120u"] MIN. MATTE-TIN  
 1.27um [50u"] MIN. NICKEL UNDERPLATED OVERALL.  
 3. WAVE SOLDER CAPABLE TO 265°C  
 PER TEST SPEC. 109-202, CONDITION B.



RECOMMENDED PCB LAYOUT  
 TOLERANCE: ±0.05, PCB THICKNESS: 1.6mm

1.1	IVORY	4	2041443-2
NET WEIGHT(g)	HOUSING COLOR	POS.	PART NUMBER

THIS DRAWING IS A CONTROLLED DOCUMENT.		DWN	E. LIU	20OCT2011	TE Connectivity  ATX POWER CONNECTOR 4.2mm PITCH, WITH GUIDING PIN VERTICAL, DIP TYPE, H=12.8mm					
DIMENSIONS: mm		CHK	S. CHIEN	20OCT2011				NAME		
TOLERANCES UNLESS OTHERWISE SPECIFIED: 0 PLC ± - 1 PLC ± 0.3 2 PLC ± 0.2 3 PLC ± 0.15 4 PLC ± - ANGLES ± 3°		APVD	W. KODAMA	20OCT2011				PRODUCT SPEC		
		APPLICATION SPEC						108-57560		
MATERIAL		FINISH			WEIGHT	SEE TABLE	SIZE: A3 CAGE CODE: 00779 DRAWING NO: C=2041443 RESTRICTED TO			
SEE NOTE		SEE NOTE			RESTRICTED DRAWING					
					SCALE	—	SHEET	1 OF 2	REV	B

4

3

2

1

THIS DRAWING IS UNPUBLISHED.

RELEASED FOR PUBLICATION

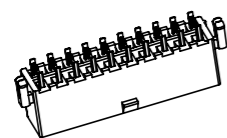
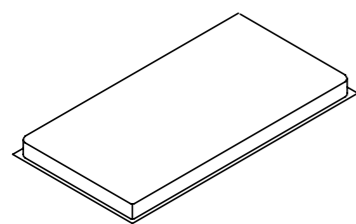
--

© COPYRIGHT 2010 BY TYCO ELECTRONICS CORPORATION. ALL RIGHTS RESERVED.

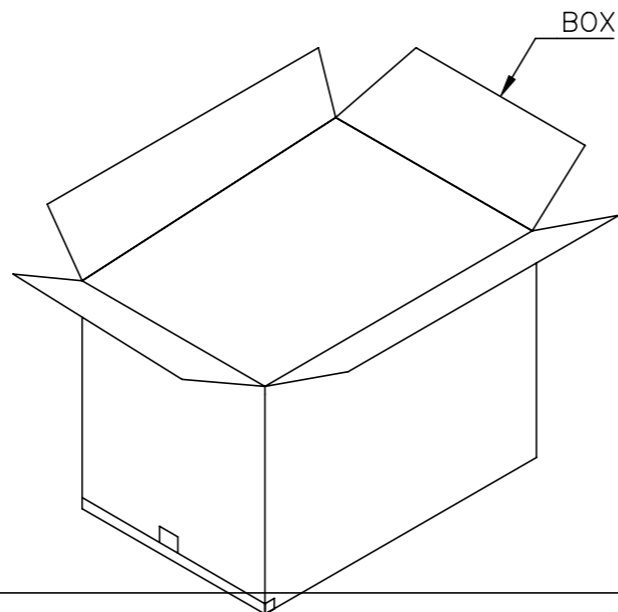
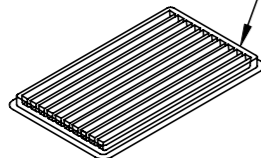
LOC DW DIST

REVISIONS

P	LTR	DESCRIPTION	DATE	DWN	APVD
		SEE SHEET 1.			

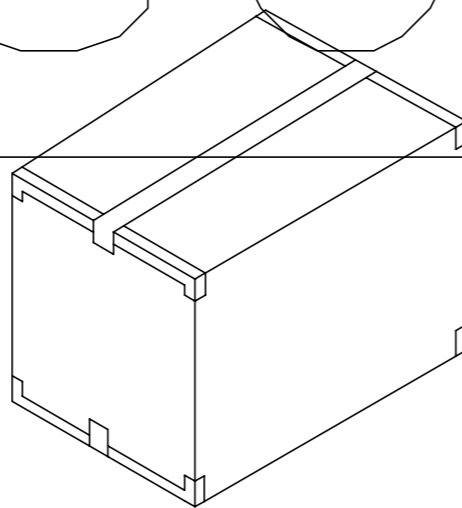
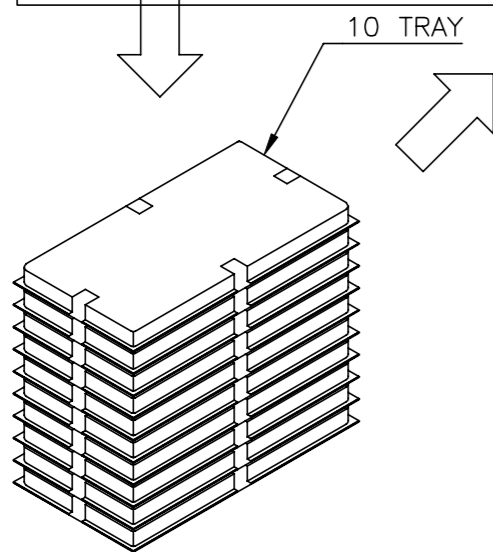
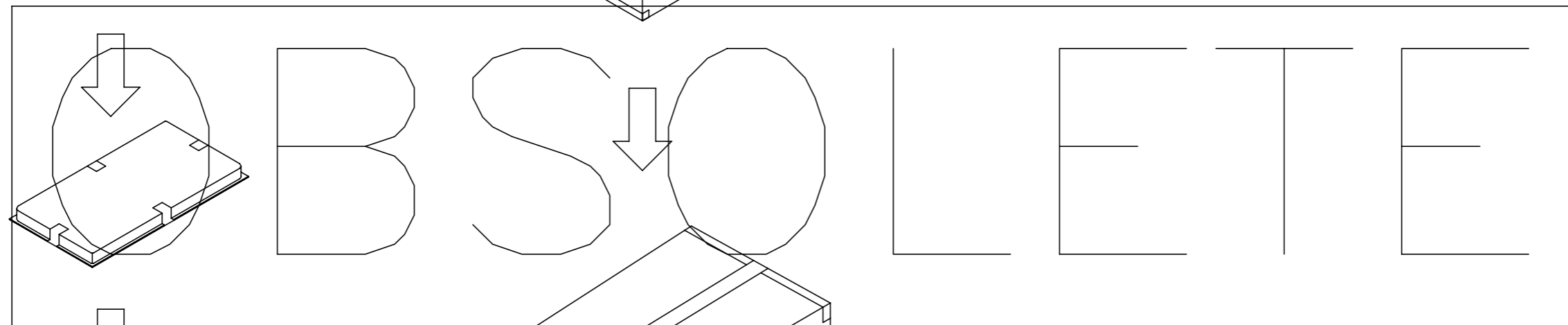


QUANTITY SEE TABLE



NOTES:

1. MATERIAL
  - 1.1 TRAY: PVC
  - 1.2 BOX: CORRUGATED
2. DIMENSION
  - 2.1 TRAY: 330mm(L)X 265mm(W)X 22mm(H).
  - 2.2 BOX: 350mm(L)X 279mm(W)X 195mm(H).
3. QUANTITY: SEE TABLE.
4. WEIGHT: SEE TABLE.



7.0 KG	5.4 KG	480	10	4800	2041443-2
GROSS WEIGHT	NET WEIGHT	PCS/ TRAY	TRAY/ BOX	PCS/ BOX	PART NUMBER

THIS DRAWING IS A CONTROLLED DOCUMENT.		DWN	TE Connectivity			
DIMENSIONS: mm		CHK	NAME			
TOLERANCES UNLESS OTHERWISE SPECIFIED:		APVD	ATX POWER CONNECTOR 4.2mm PITCH, WITH GUIDING PIN VERTICAL, DIP TYPE, H=12.8mm			
0 PLC ± - 1 PLC ± 0.3 2 PLC ± 0.2 3 PLC ± 0.15 4 PLC ± - ANGLES ± 3°		PRODUCT SPEC	SIZE			
MATERIAL		APPLICATION SPEC	CAGE CODE			
FINISH		WEIGHT	DRAWING NO			
		RESTRICTED DRAWING	A3 00779 C=2041443			
			RESTRICTED TO			
			SCALE			
			SHEET 2 OF 2			
			REV B			