

4

3

2

1

THIS DRAWING IS UNPUBLISHED. RELEASED FOR PUBLICATION
 © COPYRIGHT - By - ALL RIGHTS RESERVED.

LOC	DIST	REVISIONS					
		P	LTR	DESCRIPTION	DATE	DWN	APVD
-	-	C		REVISED PER ECR-15-018247	22DEC15	FL	FY

1.78±0.05 KEY
 1.50 1.50 1.00 PITCH
 PIN A1 PIN A12 PIN A"D+12"
 PIN B1 PIN B12 PIN B"D+12"
 7.40
 10.00 37.00
 11.65±0.1 38.65±0.1
 14.50 56.0

Ø OF KEY 0.15 1.50 TYP
 11.00
 1.00 STAND-OFF 4.40 2PLC
 0.34±0.1 1.00 PITCH
 1.65 1.35
 11.65 38.35
 40.15

Ø2.05±0.08
 PIN B1 ø2.2±0.08 PIN B12 PIN B98
 PIN A1 PIN A12 PIN A98

NOTE:

- MATERIAL:
 HOUSING: PA9T, UL94 V-0, COLOR: SEE TABLE.
 CONTACTS: PHOSPHOR BRONZE.
 MYLAR: PI.
- FINISH:
 CONTACTS: SEE TABLE OF GOLD PLATED ON CONTACT AREA.
 2.54µm [100u"] MIN. MATTE-TIN ON SOLDER TAIL.
 1.27µm [50u"] MIN. NICKEL UNDERPLATED OVERALL.
- CONNECTOR HAS MET THE REQUIREMENTS
 PER PCI EXPRESS GEN II & GEN III TECHNICAL DOCUMENT.
- WAVE SOLDER CAPABLE TO 265°C
 PER TE SPEC. 109-202, CONDITION B.

(8.8)
 5.10 3.70
 LOGO & DATE CODE
 DIM. L
 3.55 3.00 0.80
 1.40 7.40

ACCEPTED 1.57 PCB
 4.05 4.40
 3.40
 A-A SCALE 2:1
 0.25±0.1
 1.25 1.25
 3.25 3.25

T&R WITH MYLAR	WEIGHT (g)	DIM. L	Au (Min.)	HOUSING COLOR	POS	PART NUMBER
15u"	5.45g	2.3	BLACK	98	1-2041554-2	
30u"			BLACK		2041554-3	
15u"			BLACK		2041554-2	
30u"			NATURAL		2041554-1	

THIS DRAWING IS A CONTROLLED DOCUMENT.		DWN E.LIU 28JUN2013				
DIMENSIONS: mm		CHK S.CHIEN 28JUN2013				
TOLERANCES UNLESS OTHERWISE SPECIFIED:		APVD W.KODAMA 28JUN2013	NAME			
0 PLC ± -		PRODUCT SPEC	108-57871			
1 PLC ± 0.3		APPLICATION SPEC	-			
2 PLC ± 0.2		WEIGHT SEE TABLE	A2 00779 C=2041554			
3 PLC ± 0.15		CUSTOMER DRAWING	SCALE - SHEET 1 of 5 REV C			
4 PLC ± -						
ANGLES ± 3°						
FINISH SEE NOTE						

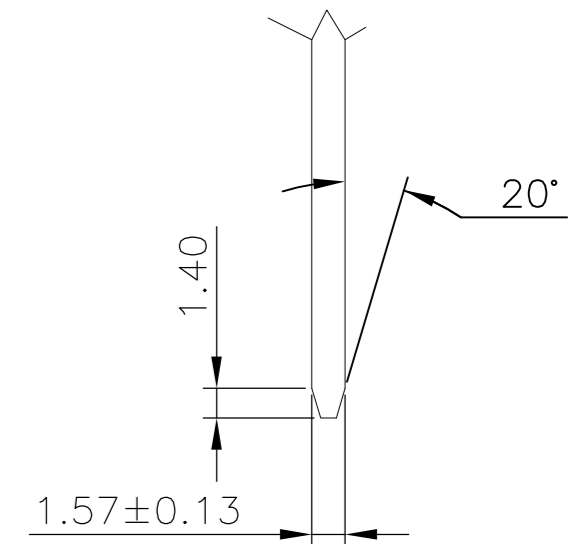
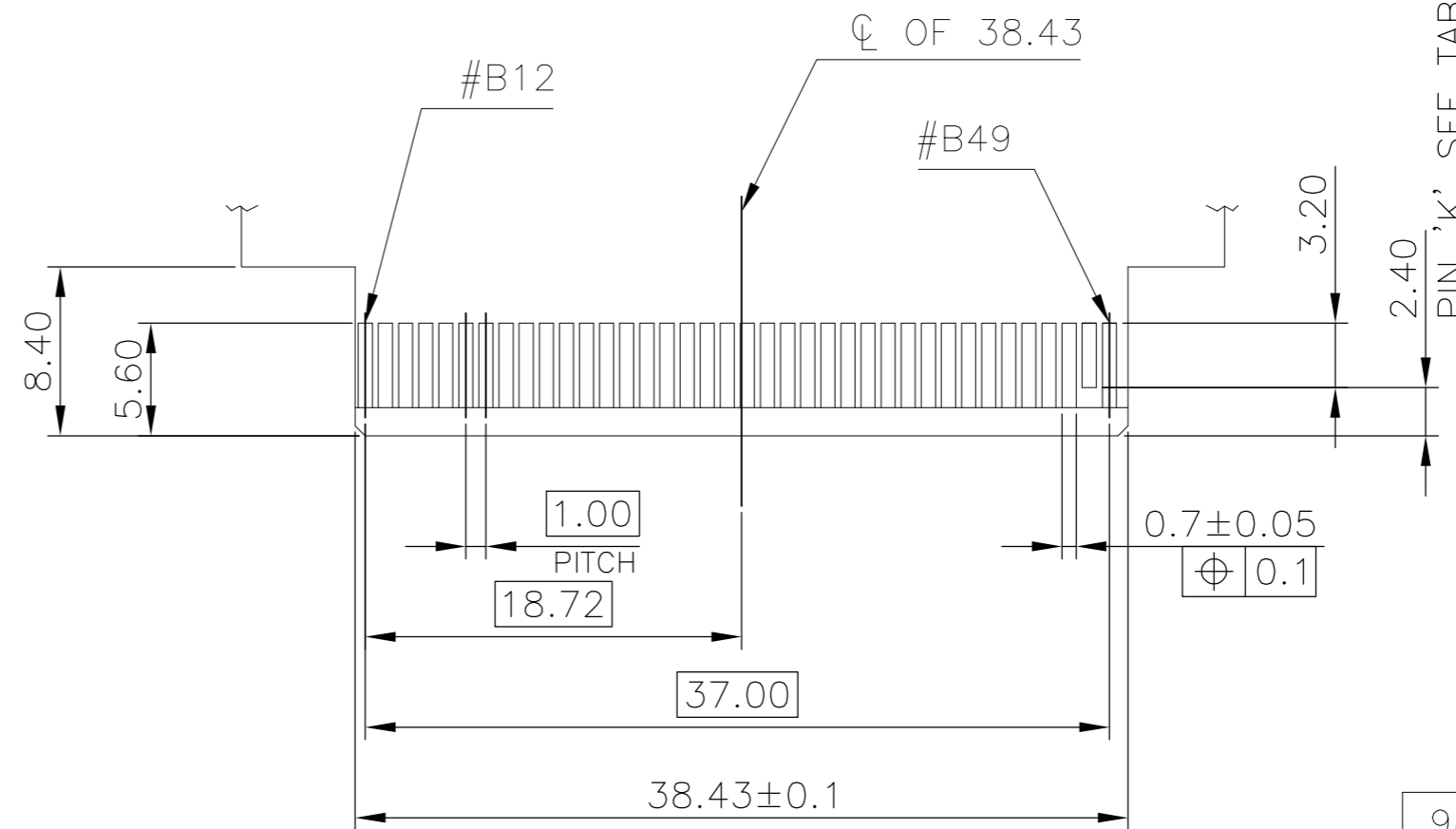
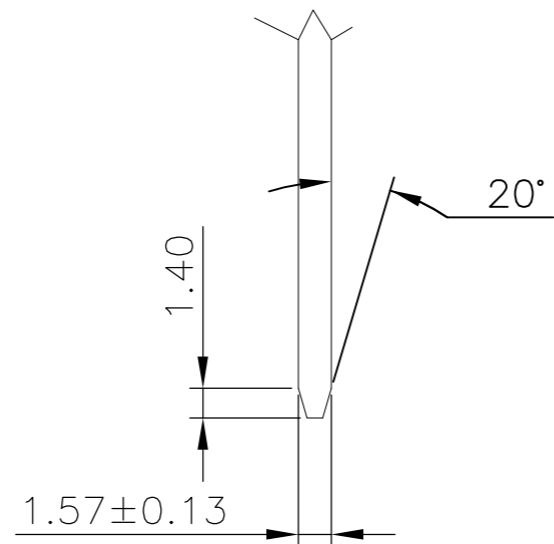
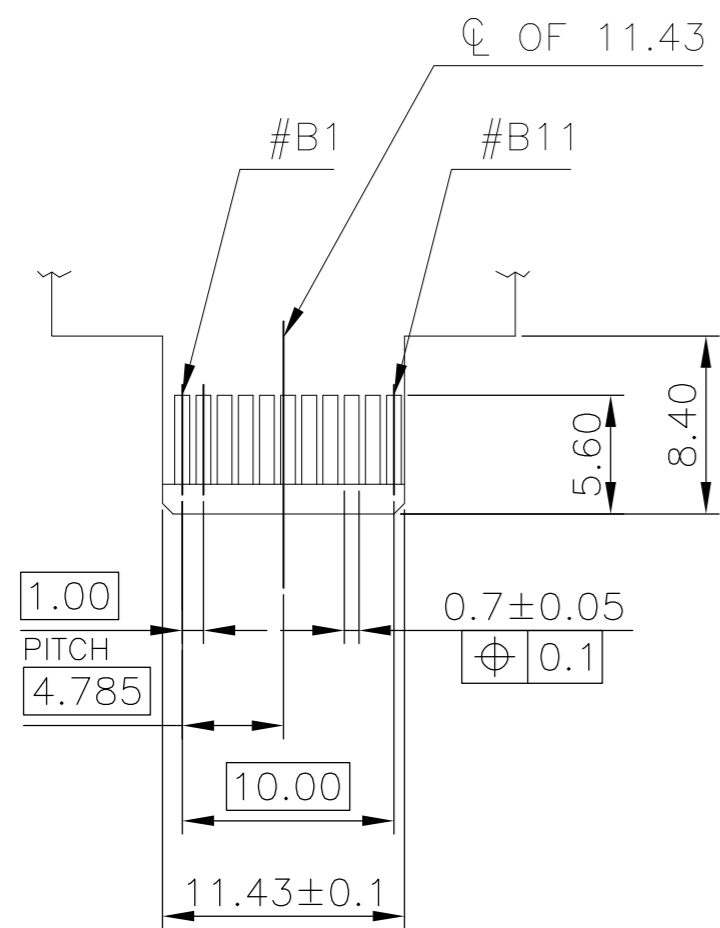
1471-9 (3/11)

2041554

A

THIS DRAWING IS UNPUBLISHED. RELEASED FOR PUBLICATION
 © COPYRIGHT - By - ALL RIGHTS RESERVED.

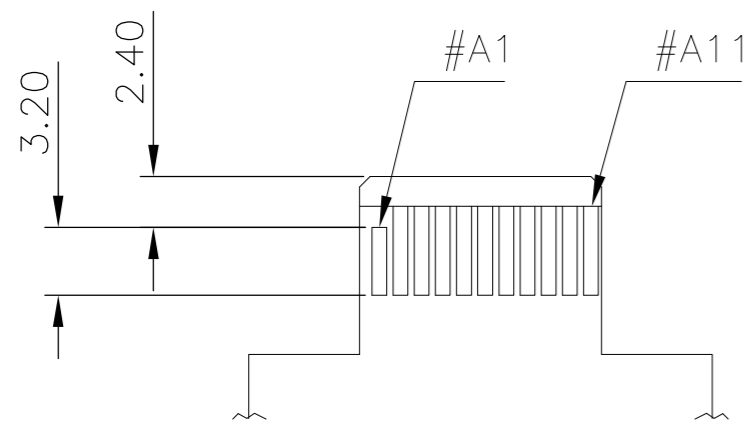
LOC		DIST		REVISIONS			
P	LTR	DESCRIPTION	DATE	DWN	APVD		
-	-	SEE SHEET 1	-	-	-		



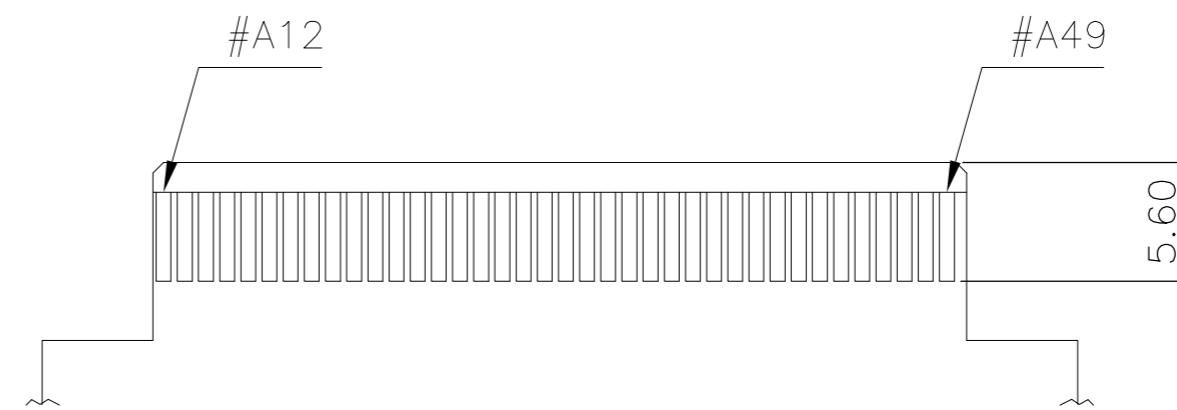
98	B17, B31, B48
POS.	"K"

← I/O PANEL DIRECTION
PRIMARY (COMPONENT) SIDE

← I/O PANEL DIRECTION
PRIMARY (COMPONENT) SIDE



SECONDARY (SOLDER) SIDE



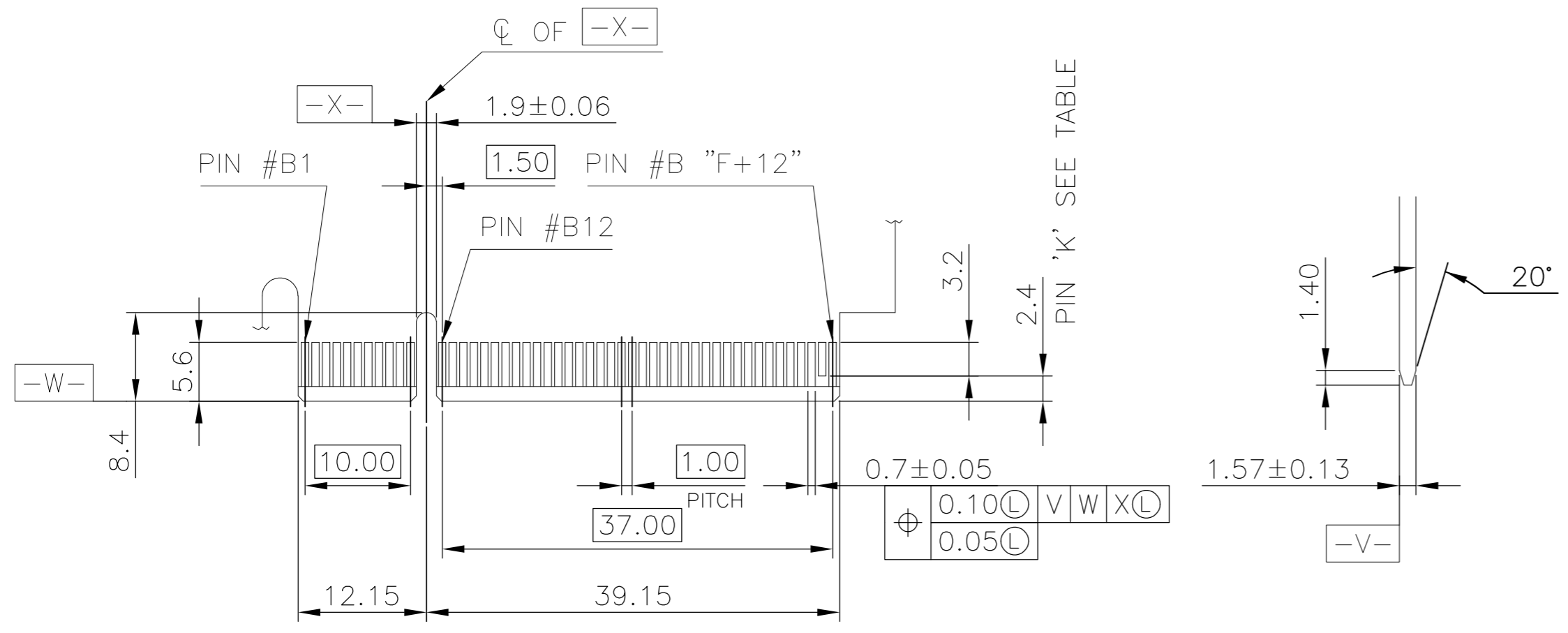
SECONDARY (SOLDER) SIDE

- NOTES:
1. CHAMFER EDGE MUST BE FREE OF CUTTING BURRS.
 2. TOLERANCE : ±0.13

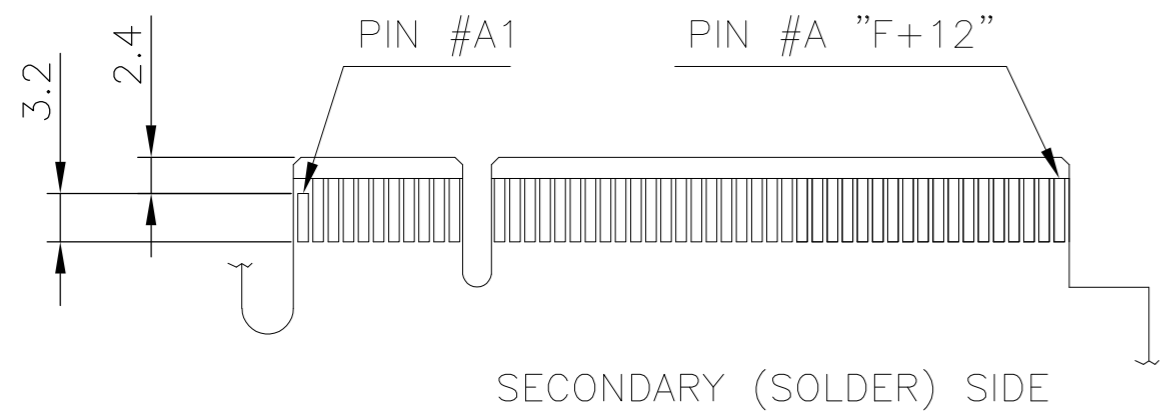
ADD-IN CARD EDGE
FINGER DIMENSION OPTION 1
NON-KEY APPLICATION

THIS DRAWING IS A CONTROLLED DOCUMENT.		DWN E.LIU 28JUN2013	TE Connectivity	
DIMENSIONS: mm		CHK S.CHIEEN 28JUN2013		
TOLERANCES UNLESS OTHERWISE SPECIFIED:		APVD W.KODAMA 28JUN2013	NAME CARD EDGE CONNECTOR VERTICAL, DIP TYPE, 3GIO, LOW END WALL (COMPATIBLE WITH PCI EXPRESS SPECIFICATION)	
0 PLC ± -		PRODUCT SPEC 108-57871	SIZE A2	CAGE CODE 00779
1 PLC ± -		APPLICATION SPEC	DRAWING NO C=2041554	RESTRICTED TO
2 PLC ± -		MATERIAL SEE NOTE	WEIGHT SEE TABLE	SCALE
3 PLC ± -		FINISH SEE NOTE	CUSTOMER DRAWING	SHEET 2 OF 5
4 PLC ± -				REV C
ANGLES ± -				

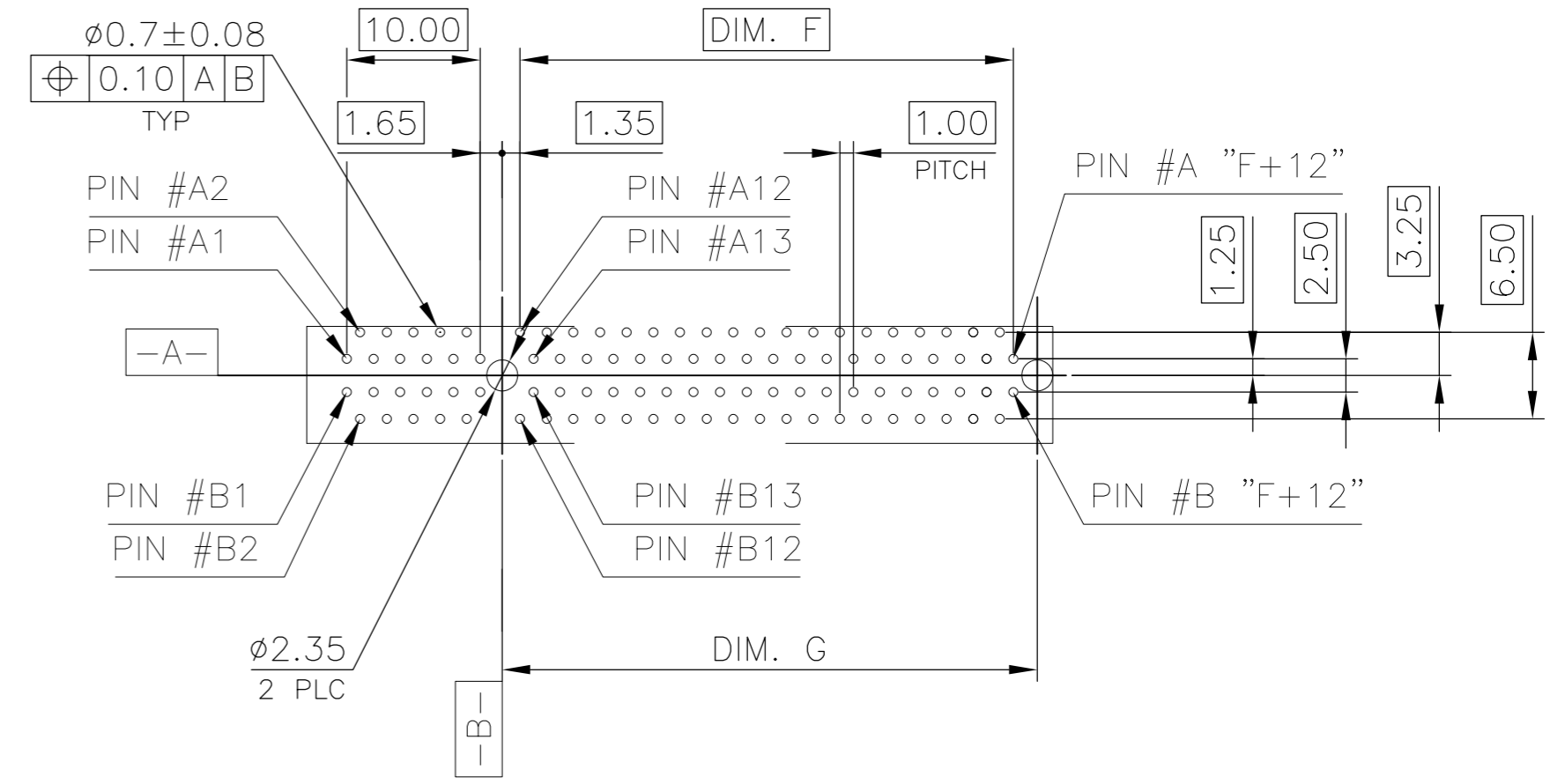
LOC		DIST		REVISIONS			
P	LTR	DESCRIPTION	DATE	DWN	APVD		
-	-	SEE SHEET 1	-	-	-		



98	B17, B31, B48
POS.	"K"



- NOTES:
1. CHAMFER EDGE MUST BE FREE OF CUTTING BURRS.
 2. TOLERANCE : ±0.13



RECOMMENDED PCB LAYOUT
 TOLERANCE: ±0.05
 FOR DIM.L=3.1mm PCB THICKNESS: 2.4mm
 FOR DIM.L=2.3mm PCB THICKNESS: 1.6mm

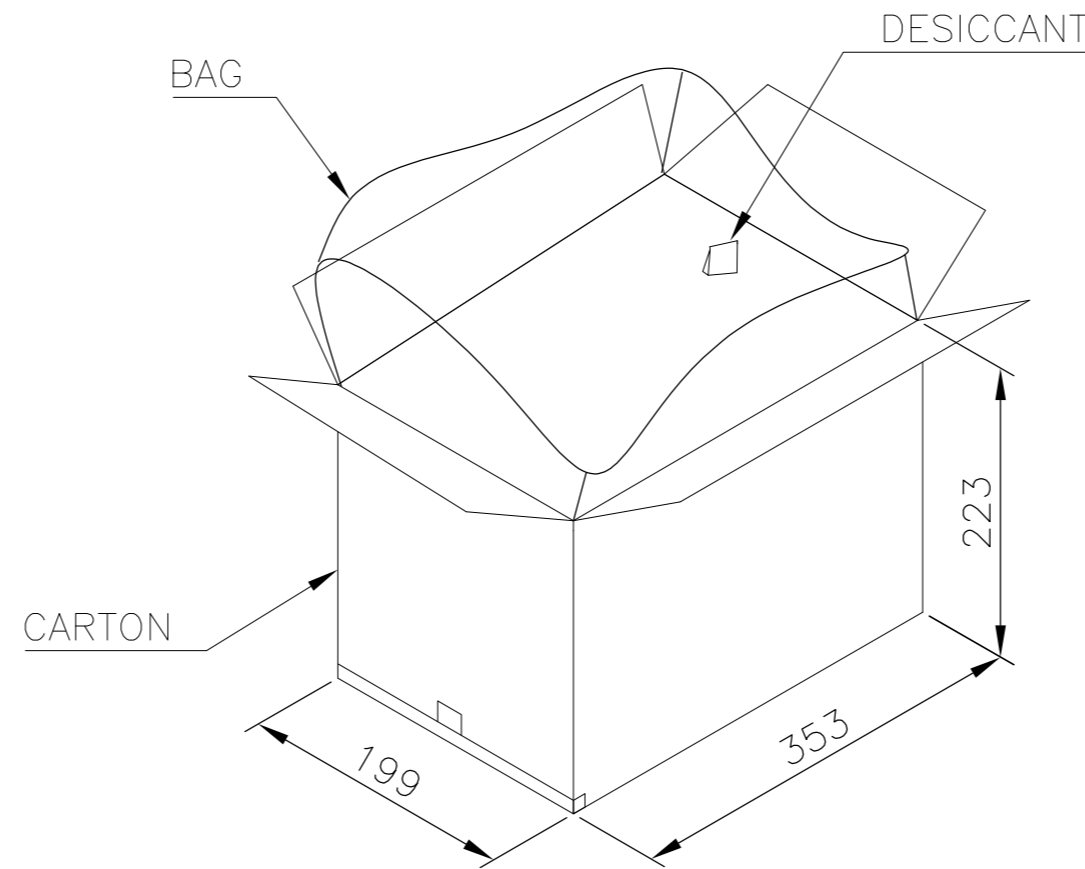
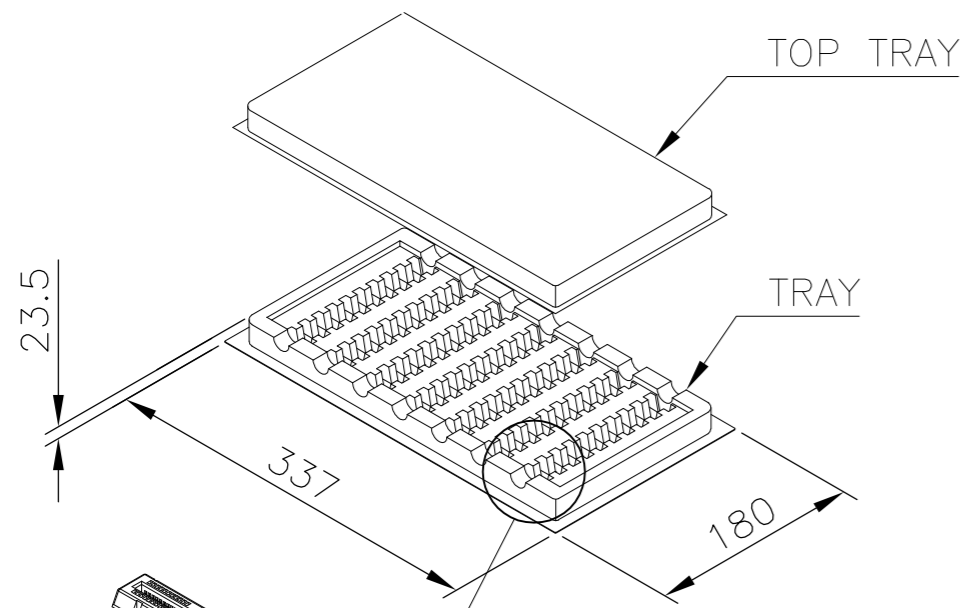
98	37.0	40.15	39.15
POS.	DIM. F	DIM. G	DIM. H

ADD-IN CARD EDGE
 FINGER DIMENISON OPTION 2
 KEY APPLICATION

THIS DRAWING IS A CONTROLLED DOCUMENT.		DWN E.LIU 28JUN2013	TE Connectivity	
DIMENSIONS: mm		CHK S.CHIEN 28JUN2013		
TOLERANCES UNLESS OTHERWISE SPECIFIED:		APVD W.KODAMA 28JUN2013	NAME CARD EDGE CONNECTOR	
0 PLC ± -		PRODUCT SPEC 108-57871	VERTICAL, DIP TYPE, 3GIO, LOW END WALL (COMPATIBLE WITH PCI EXPRESS SPECIFICATION)	
1 PLC ± -		APPLICATION SPEC	SIZE A2	CAGE CODE 00779
2 PLC ± -			DRAWING NO C=2041554	RESTRICTED TO
3 PLC ± -			SCALE -	SHEET 3 OF 5
4 PLC ± -			REV C	
ANGLES ± -				
FINISH SEE NOTE		WEIGHT SEE TABLE		
		CUSTOMER DRAWING		

THIS DRAWING IS UNPUBLISHED. RELEASED FOR PUBLICATION
 © COPYRIGHT - By - ALL RIGHTS RESERVED.

LOC		DIST		REVISIONS			
P	LTR	DESCRIPTION		DATE	DWN	APVD	
-	-	SEE SHEET 1		-	-	-	



- NOTES :
- MATERIAL :
 TRAY : PVC, COLOR: TRANSPARENT.
 CARTON: CORRUGATED FIBER
 BOX: CORRUGATED FIBER
 - DIMENSION :
 TRAY: SEE DRAWING
 CARTON: SEE DRAWING
 BOX : SEE DRAWING
 - QUANTITY : SEE TABLE
 - WEIGHT : SEE TABLE

D

C

B

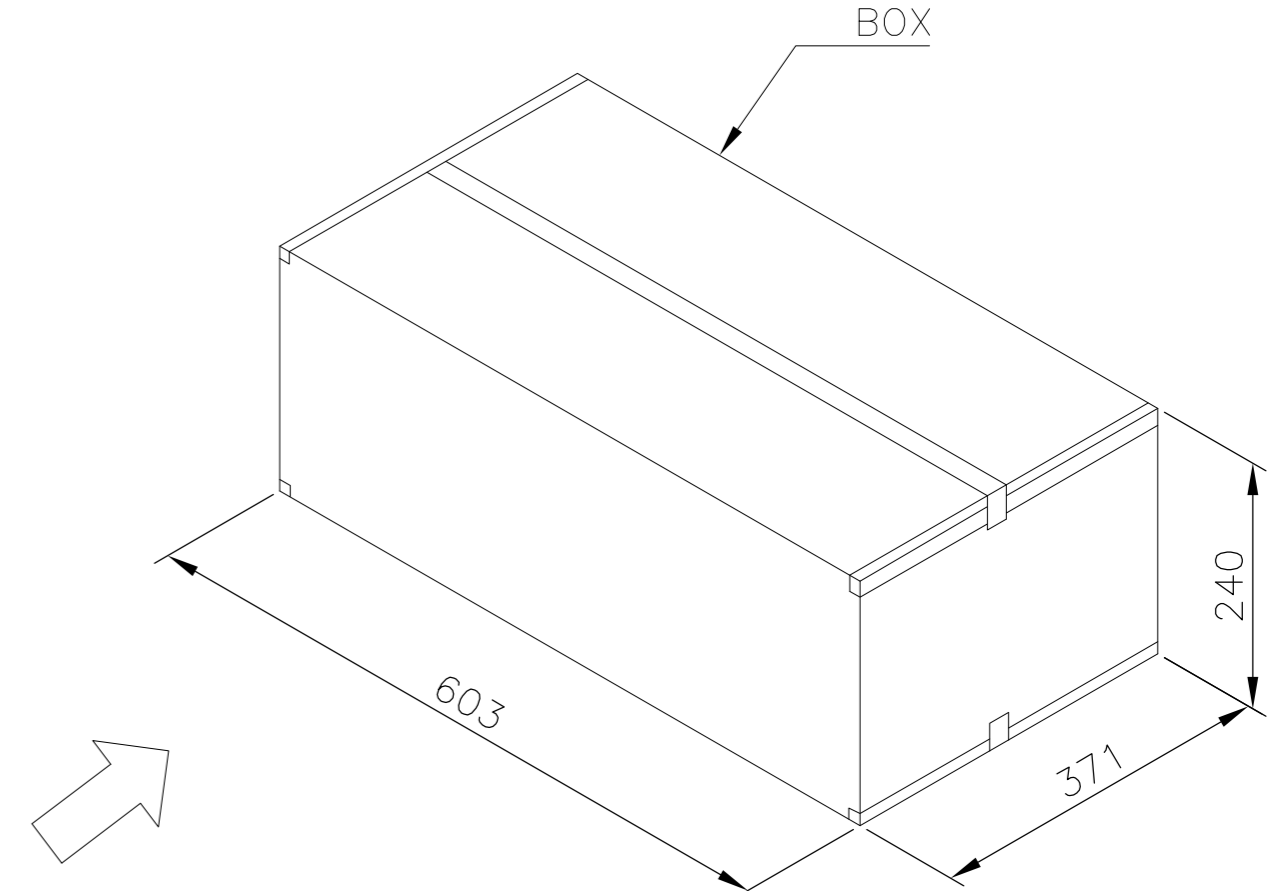
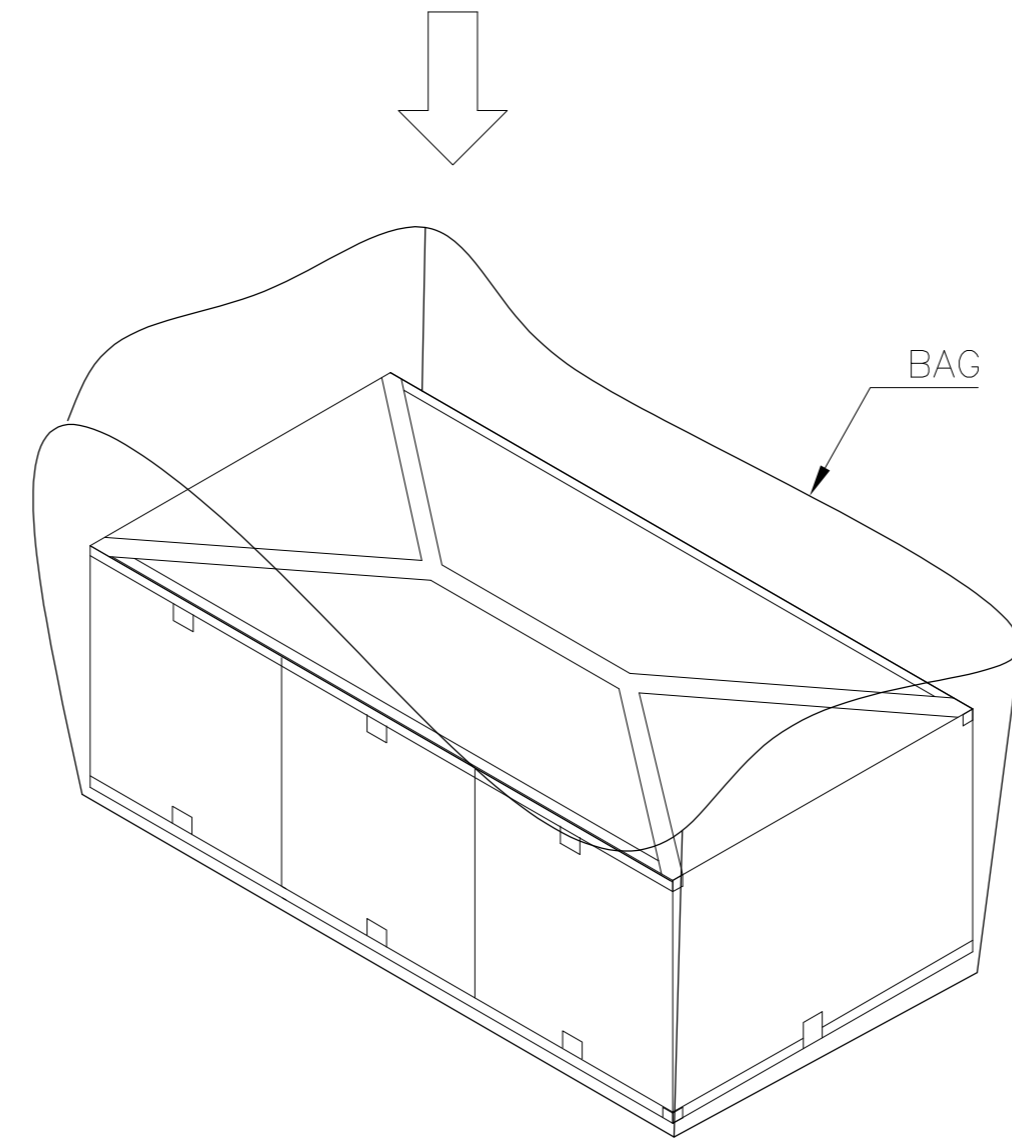
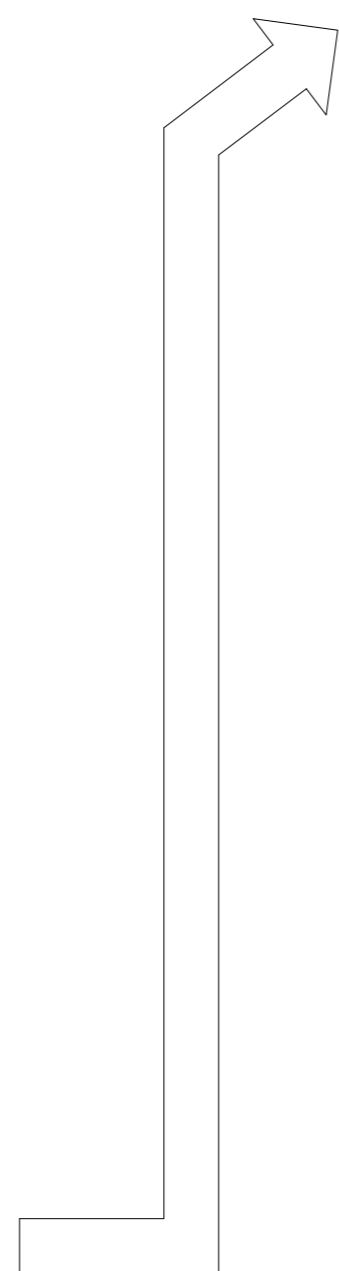
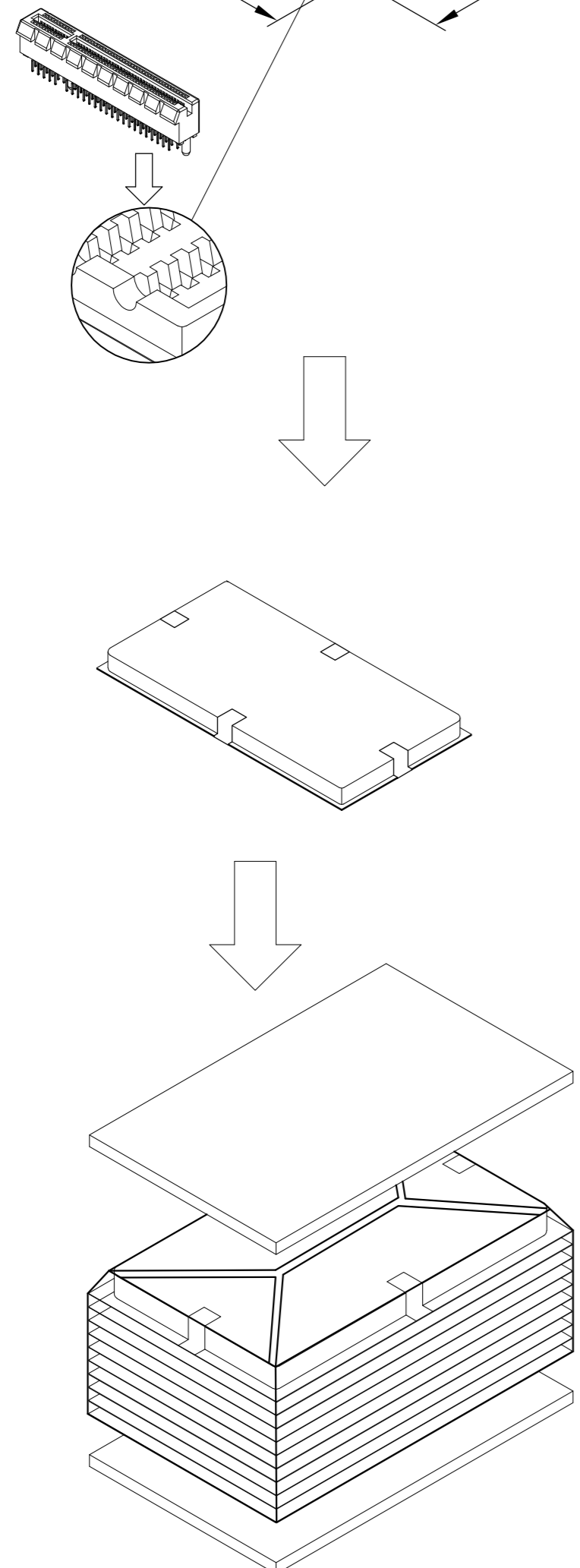
A

D

C

B

A

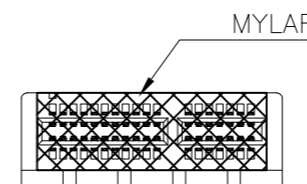
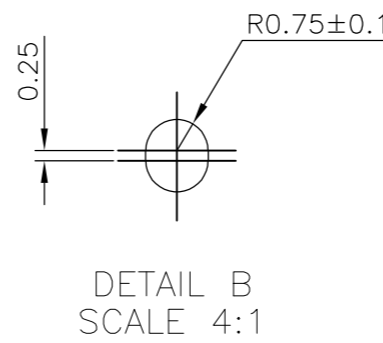
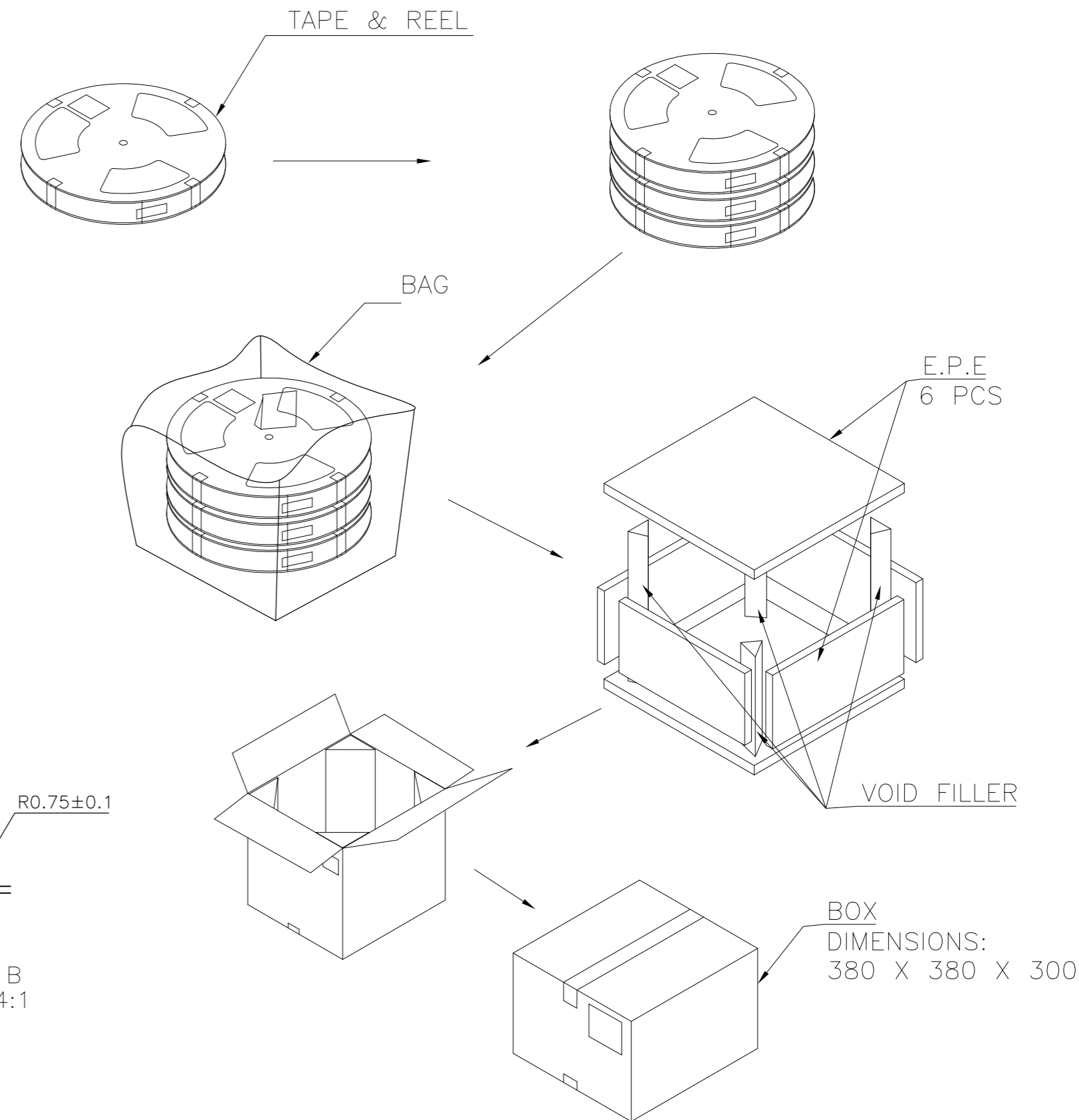
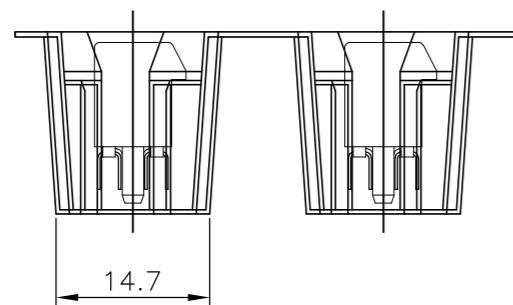
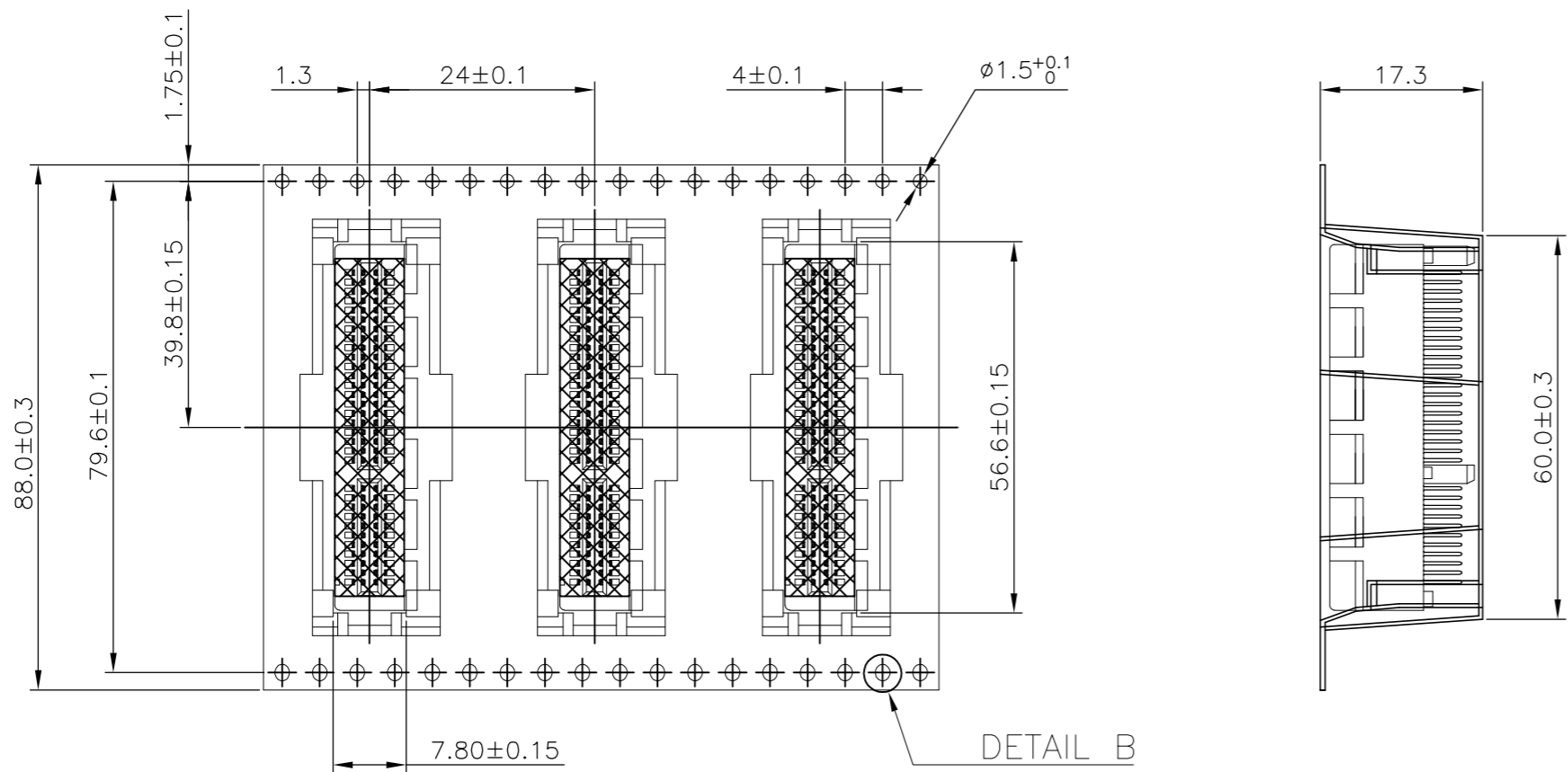
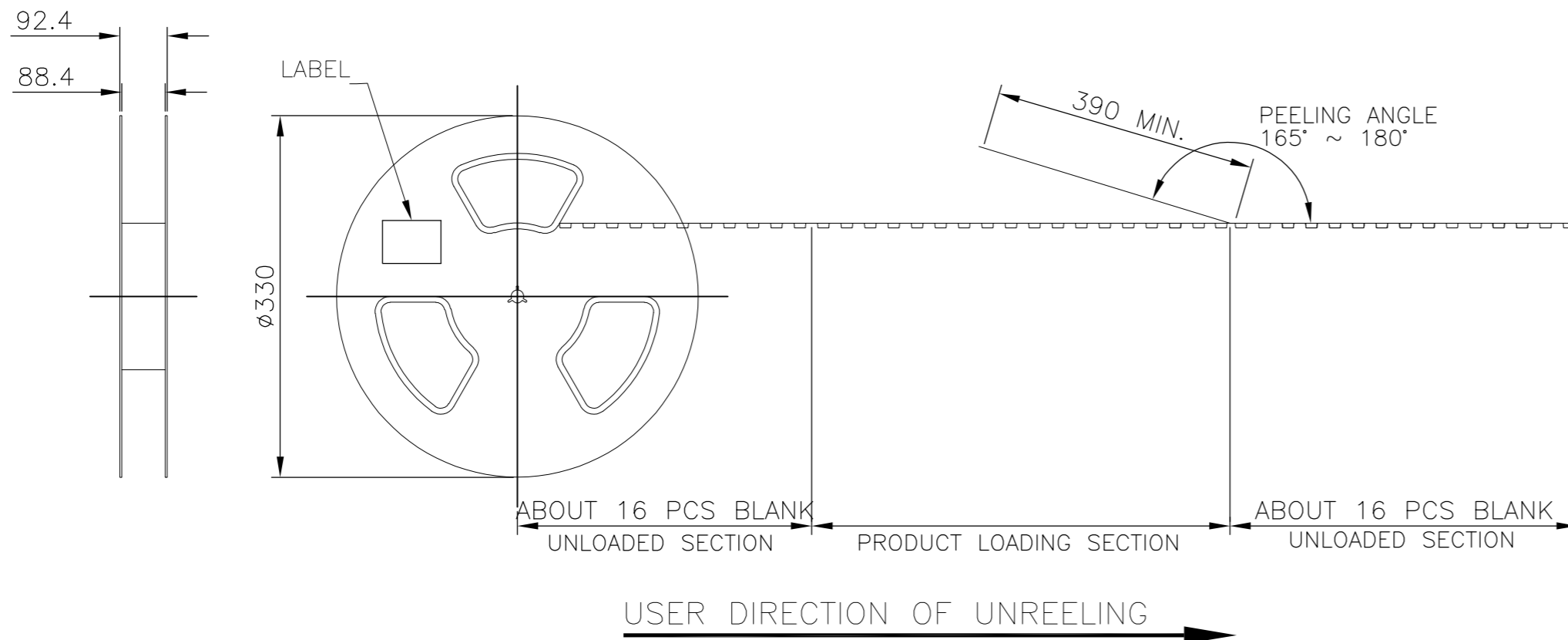


9.0 Kg	7.0 Kg	40	10	3	1200	98
GROSS WEIGHT	NET WEIGHT	PCS/ TRAY	TRAY/ CARTON	CARTON/ BOX	PCS/ BOX	POS.

THIS DRAWING IS A CONTROLLED DOCUMENT.		DWN E.LIU 28JUN2013	STE TE Connectivity		
DIMENSIONS: mm		CHK S.CHIEN 28JUN2013			
TOLERANCES UNLESS OTHERWISE SPECIFIED:		APVD W.KODAMA 28JUN2013	NAME		
0 PLC ± -		PRODUCT SPEC	CARD EDGE CONNECTOR		
1 PLC ± -		108-57871	VERTICAL, DIP TYPE, 3GIO, LOW END WALL		
2 PLC ± -		APPLICATION SPEC	(COMPATIBLE WITH PCI EXPRESS SPECIFICATION)		
3 PLC ± -		SIZE	CAGE CODE	DRAWING NO	RESTRICTED TO
4 PLC ± -		A2	00779	C=2041554	-
ANGLES ± -		WEIGHT	SCALE		SHEET
FINISH		SEE TABLE	4 OF 5		REV
MATERIAL SEE NOTE		FINISH SEE NOTE	CUSTOMER DRAWING		C

THIS DRAWING IS UNPUBLISHED. RELEASED FOR PUBLICATION
 © COPYRIGHT - By - ALL RIGHTS RESERVED.

LOC		DIST		REVISIONS			
P	LTR	DESCRIPTION	DATE	DWN	APVD		
-	-	SEE SHEET 1	-	-	-		



5.1 KG	2.30 KG	140	3	420	1-2041554-2
GROSS WEIGHT	NET WEIGHT	PCS/ REEL	REEL/ BOX	PCS/ BOX	PART NUMBER

- NOTES:
- MATERIAL:
 BOX: FIBREBOARD, CORRUGATED, DOUBLE WALL.
 COVER TAPE: PET, TRANSPARENT COLOR.
 CARRIER TAPE: POLYSTYRENES, BLACK COLOR.
 REEL: POLYSTYRENES, BLUE COLOR.
 BAG: POLYETHYLENE.
 MYLAR: PET.
 - PEELING STRENGTH: 0.1 ~ 1.3 N (10 ~ 130 GRAMS)
 - PEELING SPEED: 300 mm/min.
 - EACH BAG SHALL BE INCLUDED DESICCANT.

THIS DRAWING IS A CONTROLLED DOCUMENT.		DWN E.LIU 28JUN2013			
DIMENSIONS: mm		CHK S.CHIEN 28JUN2013			
TOLERANCES UNLESS OTHERWISE SPECIFIED:		APVD W.KODAMA 28JUN2013	NAME CARD EDGE CONNECTOR		
0 PLC ± -		PRODUCT SPEC 108-57871	VERTICAL, DIP TYPE, 3GIO, LOW END WALL (COMPATIBLE WITH PCI EXPRESS SPECIFICATION)		
1 PLC ± -		APPLICATION SPEC	SIZE A2	CAGE CODE 00779	DRAWING NO C=2041554
2 PLC ± -			RESTRICTED TO		
3 PLC ± -			SCALE		
4 PLC ± -			SHEET 5 of 5		
ANGLES ± -			REV C		
FINISH		WEIGHT SEE TABLE			
MATERIAL SEE NOTE		FINISH SEE NOTE	CUSTOMER DRAWING		