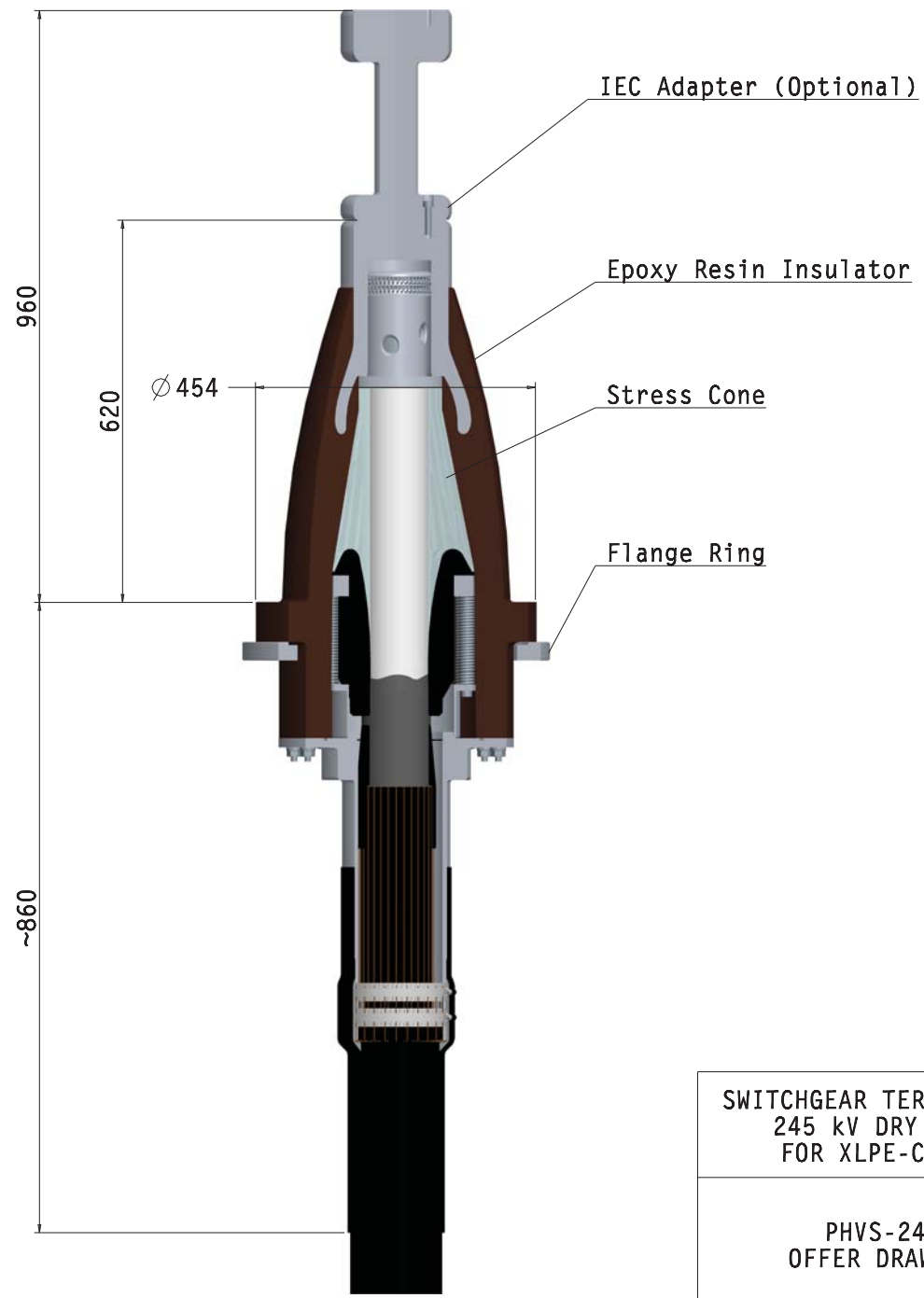
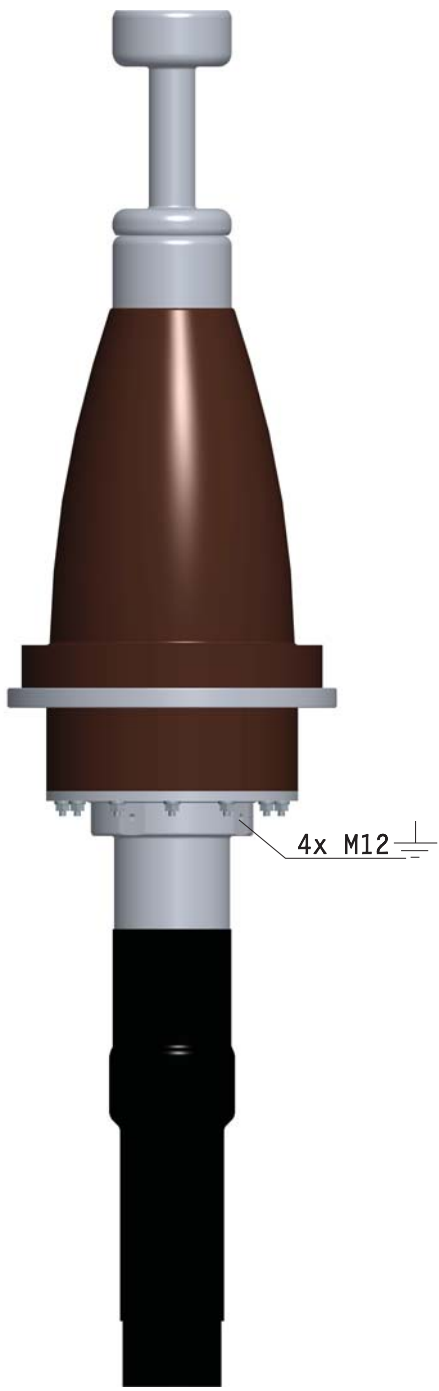
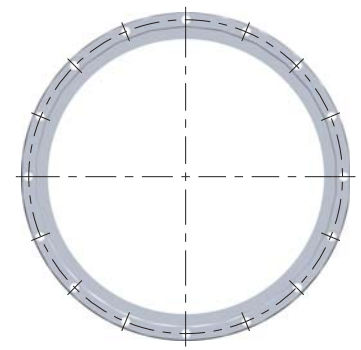


While TE Connectivity (TE) has made every reasonable effort to ensure the accuracy of the information in the catalog, TE does not guarantee that it is error free, nor does TE make any other representation, warranty or implied warranties regarding the information contained herein, including, but not limited to, any implied warranties or merchantability or fitness for a particular purpose. The dimensions in this catalog are for reference purpose only and are subject to change without notice. Specifications are subject to change without notice. Consult TE for the latest dimensions and design specifications.




4xM12x25
 BORES ON Ø 110
 CONNECTION INTERFACE
 ACC. TO IEC 62271-209



16xØ 13 BORES
 ON Ø 475
 BASE FLANGE
 ACC. TO IEC 62271-209

SWITCHGEAR TERMINATION
 245 KV DRY TYPE
 FOR XLPE-CABLE

PHVS-245
 OFFER DRAWING



Raychem High Voltage Cable Accessories

TE Connectivity drawing no: EPD-204-1398-00

REV. 1