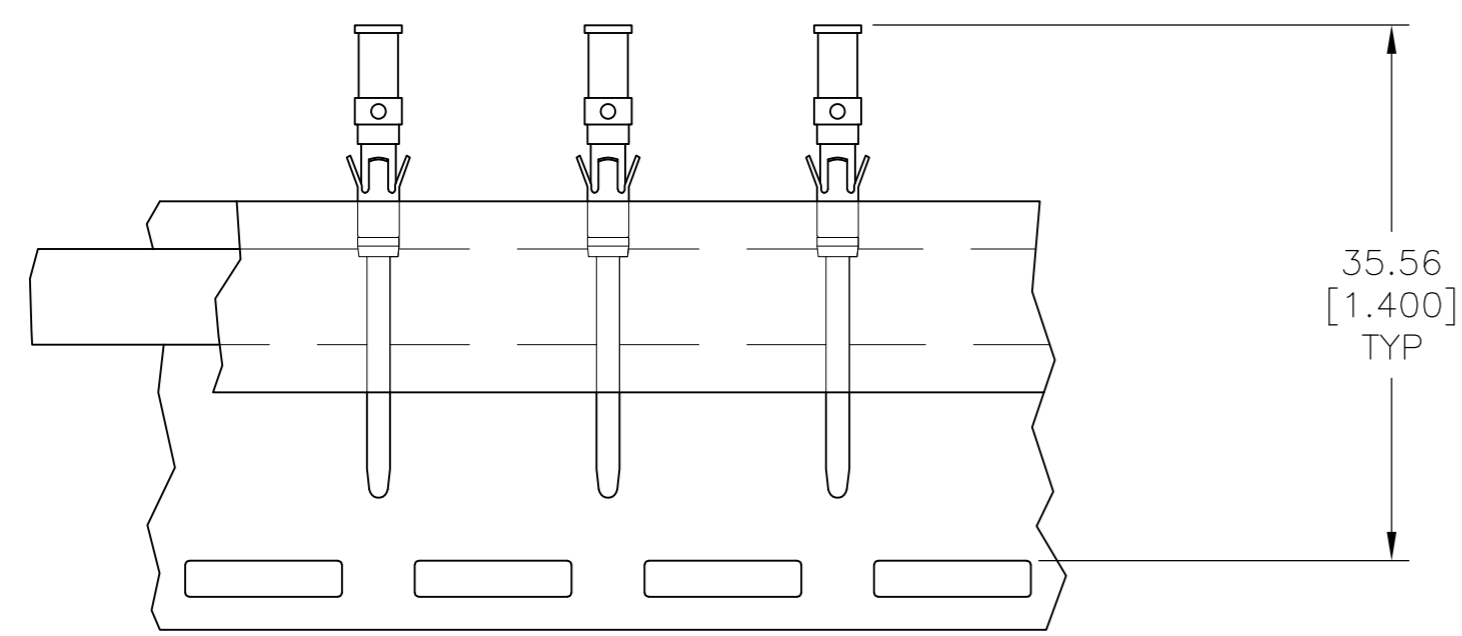
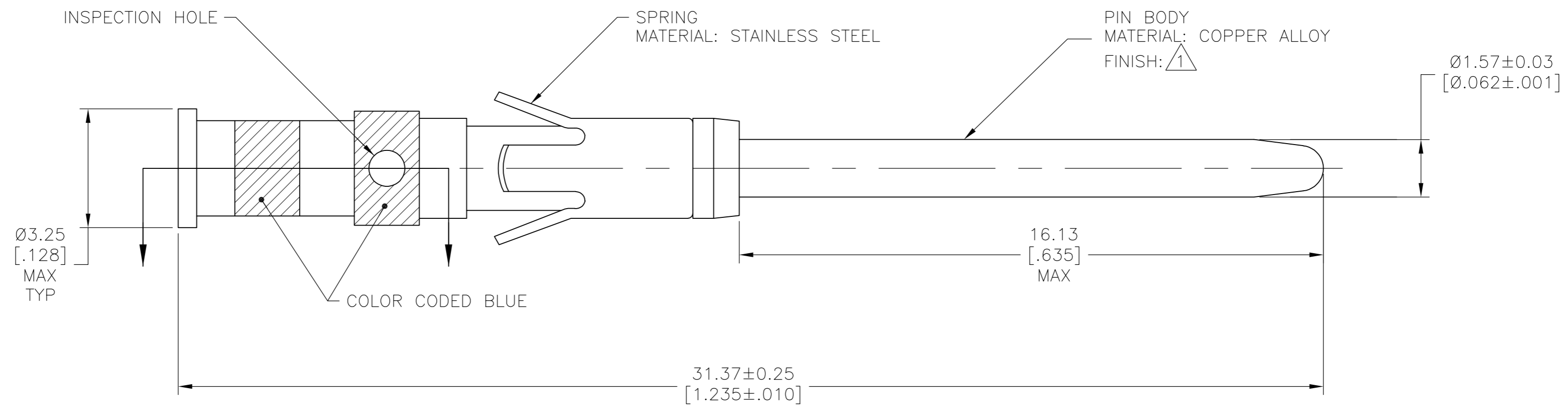
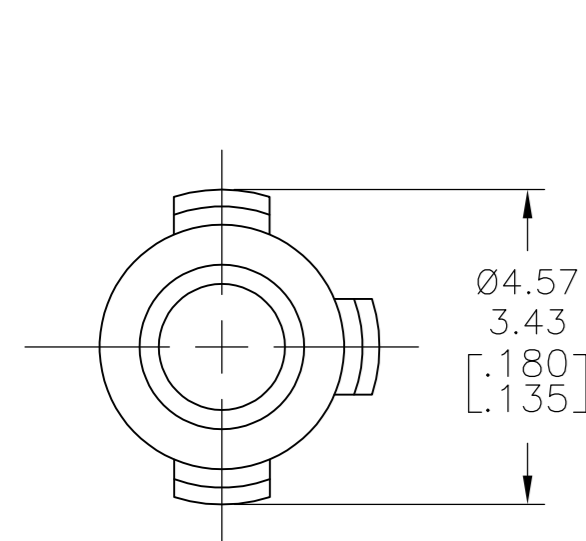
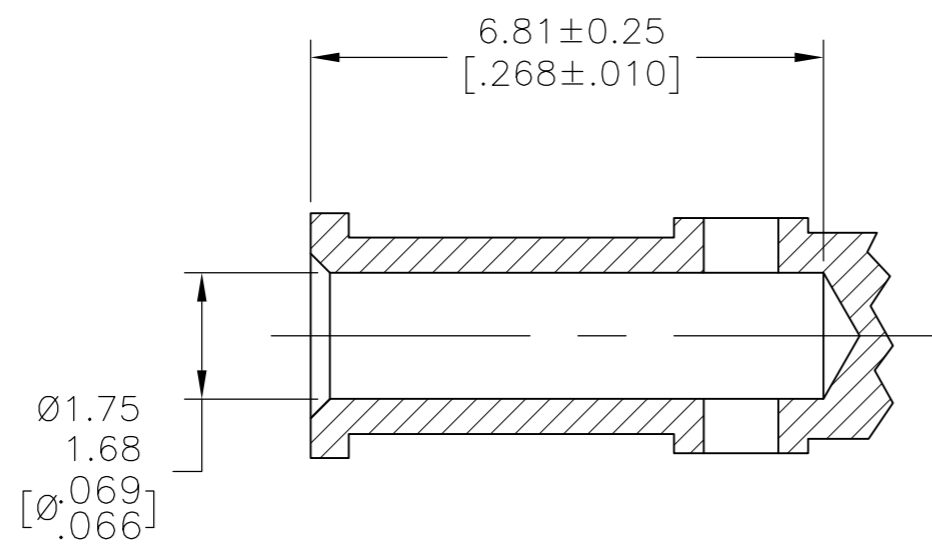


THIS DRAWING IS UNPUBLISHED. RELEASED FOR PUBLICATION
 © COPYRIGHT - By - ALL RIGHTS RESERVED.

REVISIONS					
P	LTR	DESCRIPTION	DATE	DWN	APVD
K		REDRAWN W/O CHANGE PER EC 0320-109-96	04 DEC 97	-	-
L		REVISED PER ECO-16-017881	16MAR2017	BDA	MZ



TAPE MTG DETAIL
SCALE 2:1

△ 0.76µm [.000030] MIN GOLD OVER 1.27µm [.000050] MIN NICKEL.

OBSOLETE	TAPE MTD	—204219-3—
	STANDARD	204219-1
	PACKAGING TYPE	PART NUMBER

THIS DRAWING IS A CONTROLLED DOCUMENT.		DWN	B.CARBO	04 DEC 97	 TE Connectivity
DIMENSIONS: mm [INCHES]		CHK	R.STONE	10 DEC 97	
TOLERANCES UNLESS OTHERWISE SPECIFIED:		APVD	G.STEINHAUER	06 JAN 98	
0 PLC ± - 1 PLC ± - 2 PLC ± 0.13 [.005] 3 PLC ± - 4 PLC ± - ANGLES ± -		PRODUCT SPEC	NAME		
MATERIAL SEE CALLOUTS		FINISH	SEE CALLOUTS		#16 PIN CONTACT ASSY, #16-18 WIRE SIZE
CUSTOMER DRAWING		WEIGHT	-	SCALE	10:1
		SIZE	A2	CAGE CODE	00779
		DRAWING NO	C=204219		RESTRICTED TO
		SHEET	1	OF 1	REV
		REV	L		