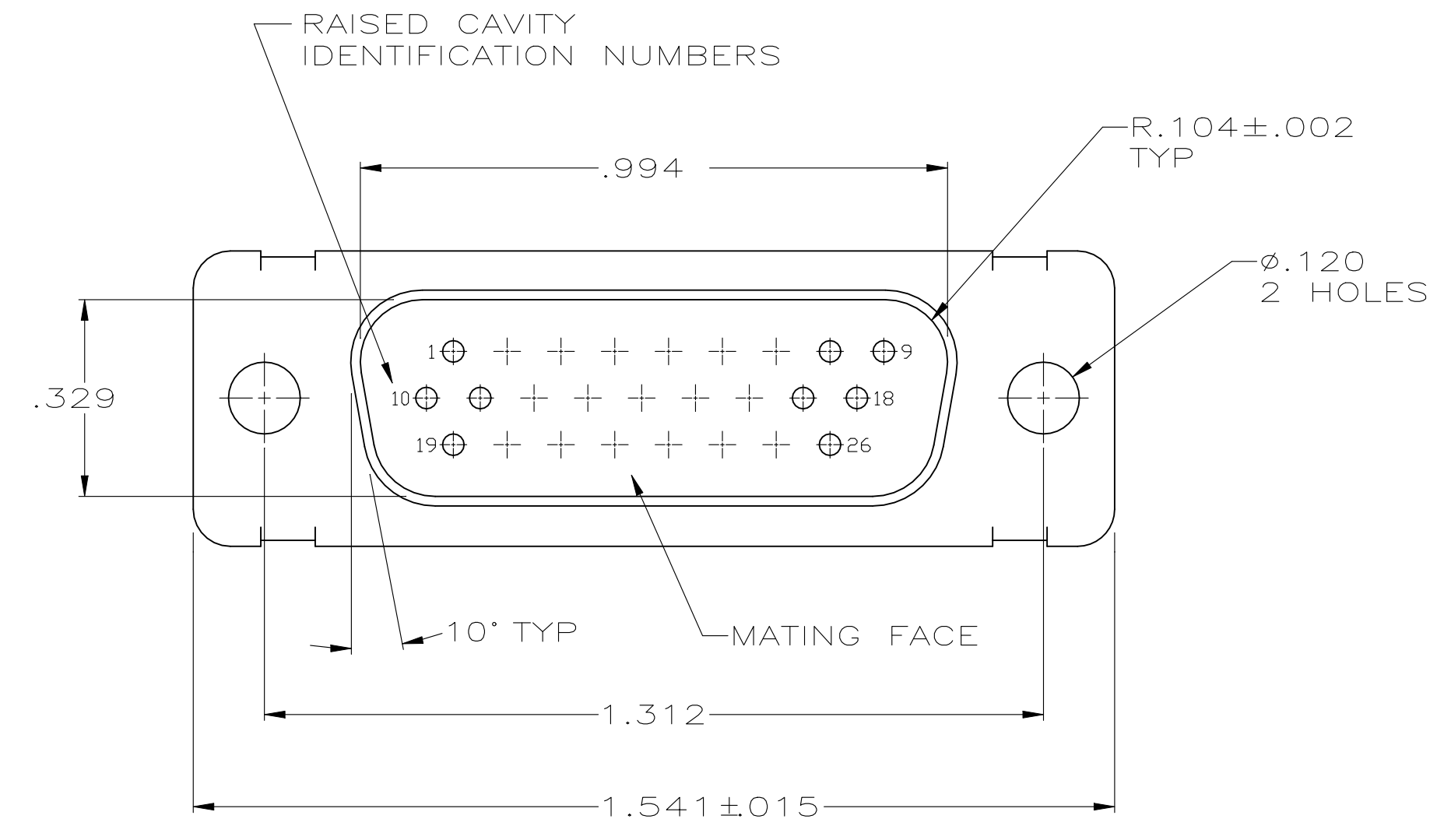
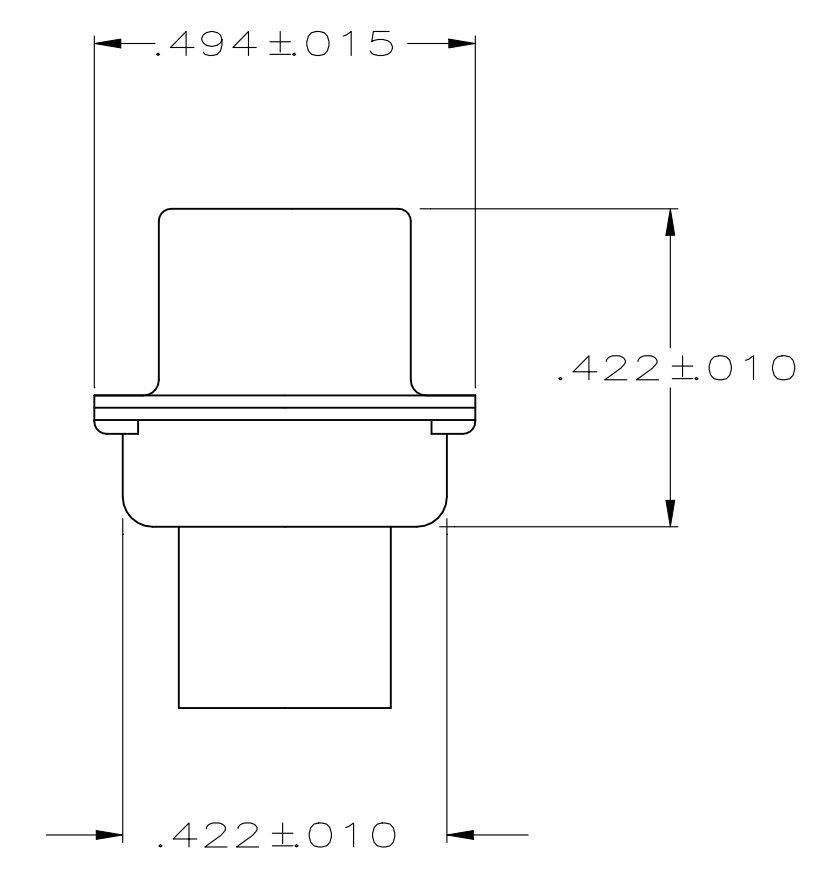
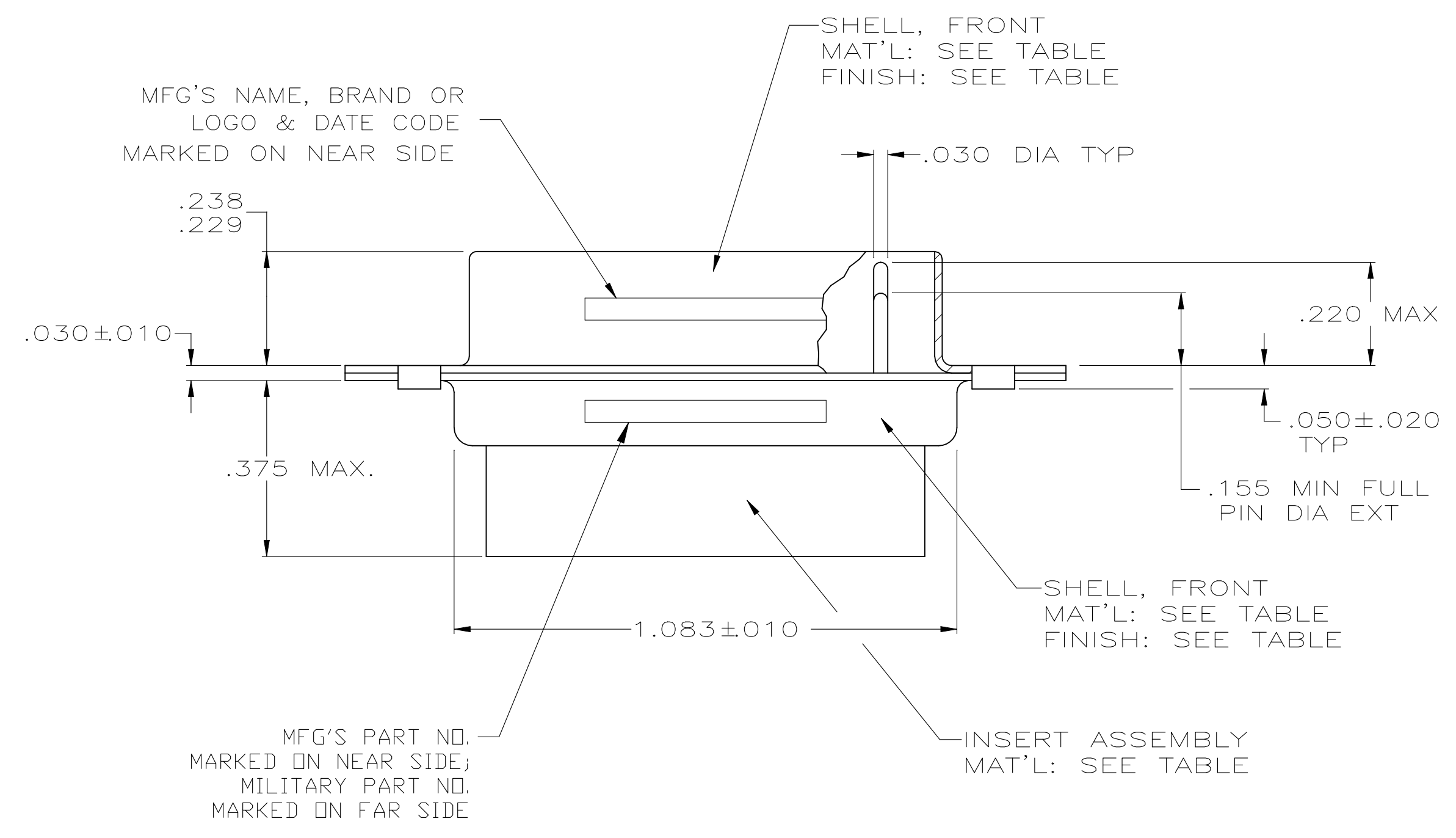


REVISIONS					
P	LTR	DESCRIPTION	DATE	DN	APVD
Y		REVISED PER ECN-24-266861	20MAY2024	PP	DS



- THIS PLUG IS DESIGNED TO CONFORM TO THE LATEST ISSUE OF MIL-C-24308.
- MAX WIRE INSUL TO BE USED WITH THIS PLUG IS ϕ .054.
- METAL RETENTION CLIPS ARE INCLUDED IN INSERTS.
- THIS PLUG WILL ACCEPT SIZE 22 PIN CONTACT M 39029/58-360 OR ANY TE HDD-22 PIN CONTACT.
- MFG'S PART NO. STAMPED ON CONNECTOR REPRESENTS KIT NUMBER WITH CONTACTS.
- FRONT SHELL HAS GROUNDING INDENTS ON 204503-4 ONLY, (NOT SHOWN).
- FINISH: BRIGHT TIN PER ASTM-B-545, .000400-.000550 THK OVER COPPER PER AMS2418, .000050 MIN THK.



REMARKS	MILITARY PART NO. MARKED ON PACKAGE	MILITARY PART NO. MARKED ON CONNECTOR	MFG PART NO. MARKED ON CONNECTOR	FINISH	SHELL MATERIAL	INSERT MATERIAL	PART NO.	
	-	-	204503-5	Δ	STEEL, CLASS G	POLYPHENYLENE SULFIDE (PPS) GST-40F PER MIL-M-24519 OR GLASS FILLED POLYESTER TPES013G30 PER ASTM D5927	204503-5	
OBSELETE	-	-	204503-4	Δ	STEEL, CLASS G	POLYPHENYLENE SULFIDE (PPS) GST-40F PER MIL-M-24519 OR GLASS FILLED POLYESTER TPES013G30 PER ASTM D5927	204503-4	
SUPSD BY 204503-1	-	-	-	CADMIUM PER QQ-P-416	STEEL, CLASS G	PHENDLIC COLOR: BLACK	204503-3	
SUPSD BY 206500-4	-	-	-	CADMIUM PER QQ-P-416	BRASS	DIALLYL PHTHALATE COLOR: BLUE	204503-2	
	Δ	M24308/4-265F	M24308/4-12F	204515-2	CADMIUM PER QQ-P-416	STEEL, CLASS G	POLYPHENYLENE SULFIDE (PPS) GST-40F PER MIL-M-24519 OR GLASS FILLED POLYESTER TPES013G30 PER ASTM D5927	204503-1

WARNING - THIS DOCUMENT CONTAINS TECHNOLOGY WHOSE EXPORT IS RESTRICTED BY THE EXPORT ADMINISTRATION REGULATIONS ("EAR") PURSUANT TO 15 C.F.R. PARTS 730-774. VIOLATIONS OF THE EAR ARE SUBJECT TO SEVERE CRIMINAL PENALTIES UNDER THE EXPORT CONTROL REFORM ACT, AS AMENDED (TITLE 50, U.S.C., SEC. 4801, ET SEQ.).

THIS DRAWING IS A CONTROLLED DOCUMENT.

DIMENSIONS: INCHES	TOLERANCES UNLESS OTHERWISE SPECIFIED:	DIN C.C.THOMAS 01-DEC-87	TE Connectivity
ϕ	0. PLC ± -	CHK F.C. BALLEW 25-JAN-88	AMPLIMITE PLUG FOR PIN CONTACTS HI-DENSITY D CONNECTOR SZ 2 (26 POSN) SER 90
	1. PLC ± -	APVD F.C. BALLEW 25-JAN-88	SIZE A1
	2. PLC ± .005		SCALE 4:1
	3. PLC ± -		SHEET 1 OF 1
	4. PLC ANGLES ± 0°30'		REV Y
MATERIAL SEE TABLE	FINISH SEE TABLE	WEIGHT -	CUSTOMER DRAWING