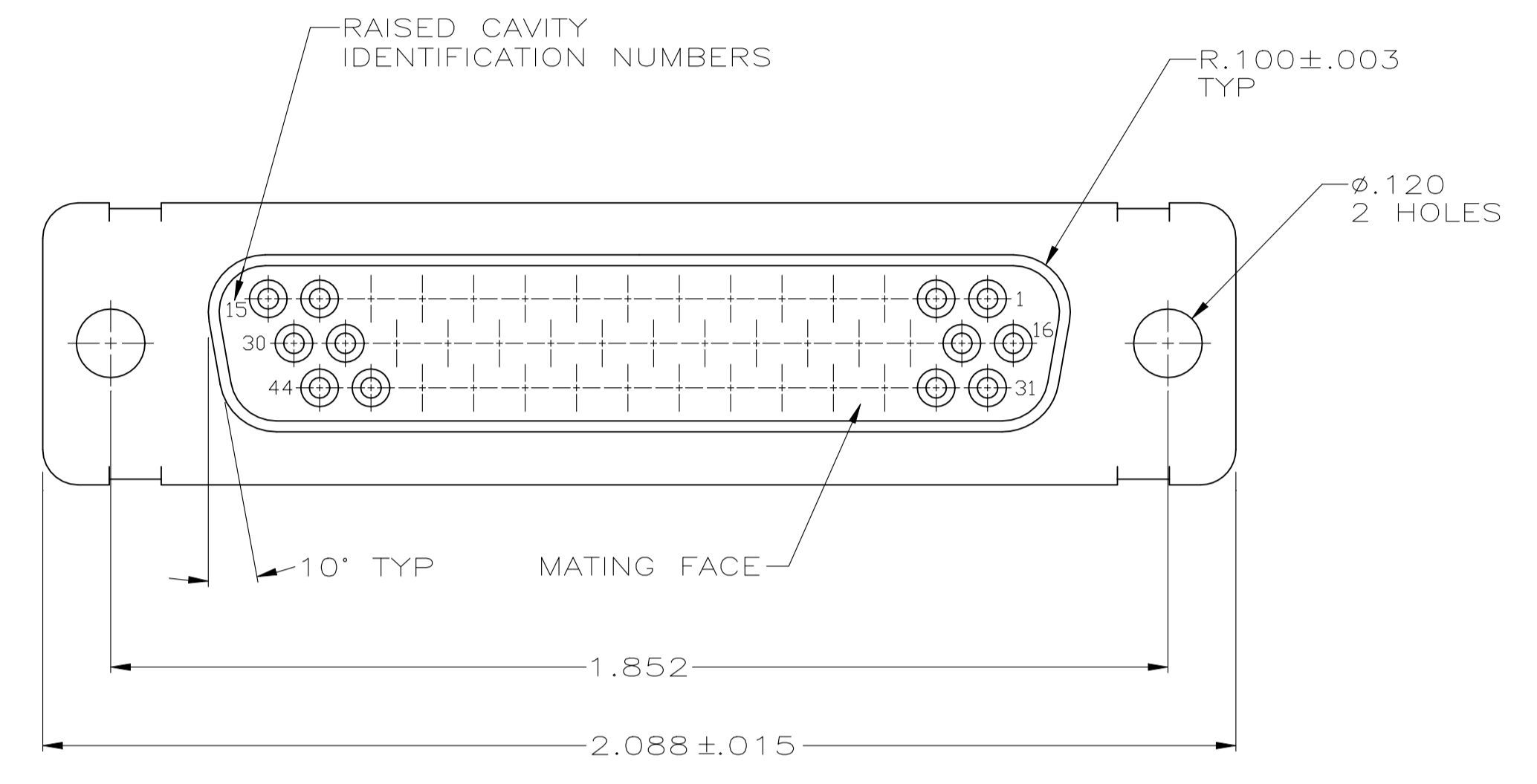
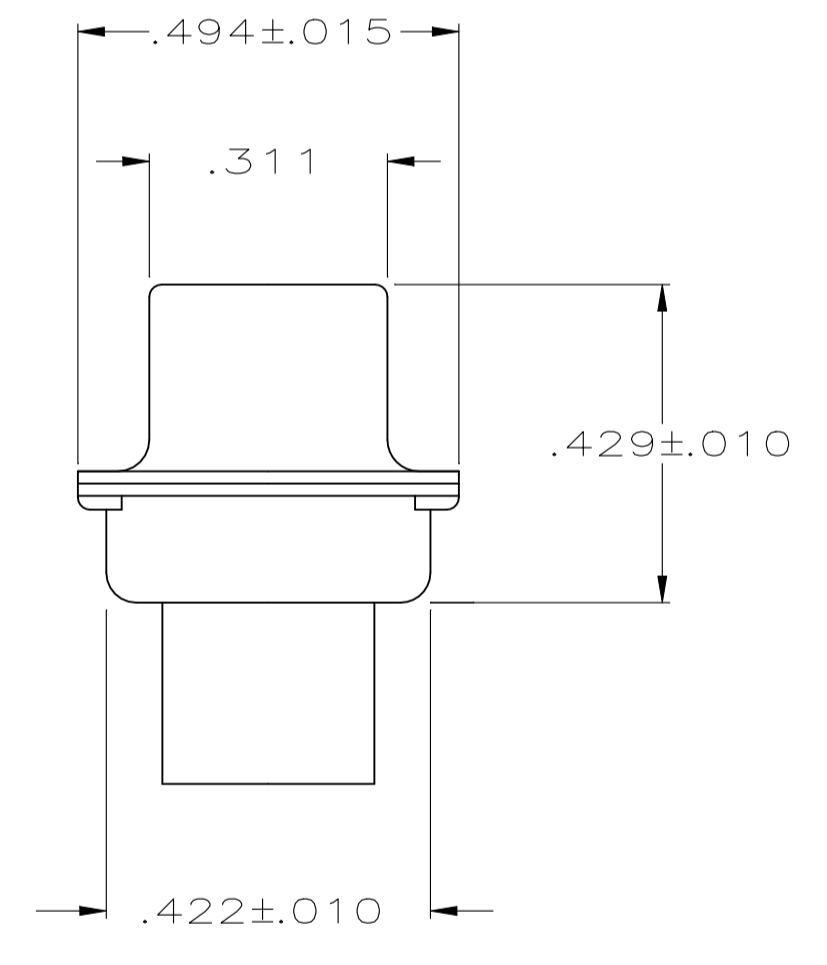
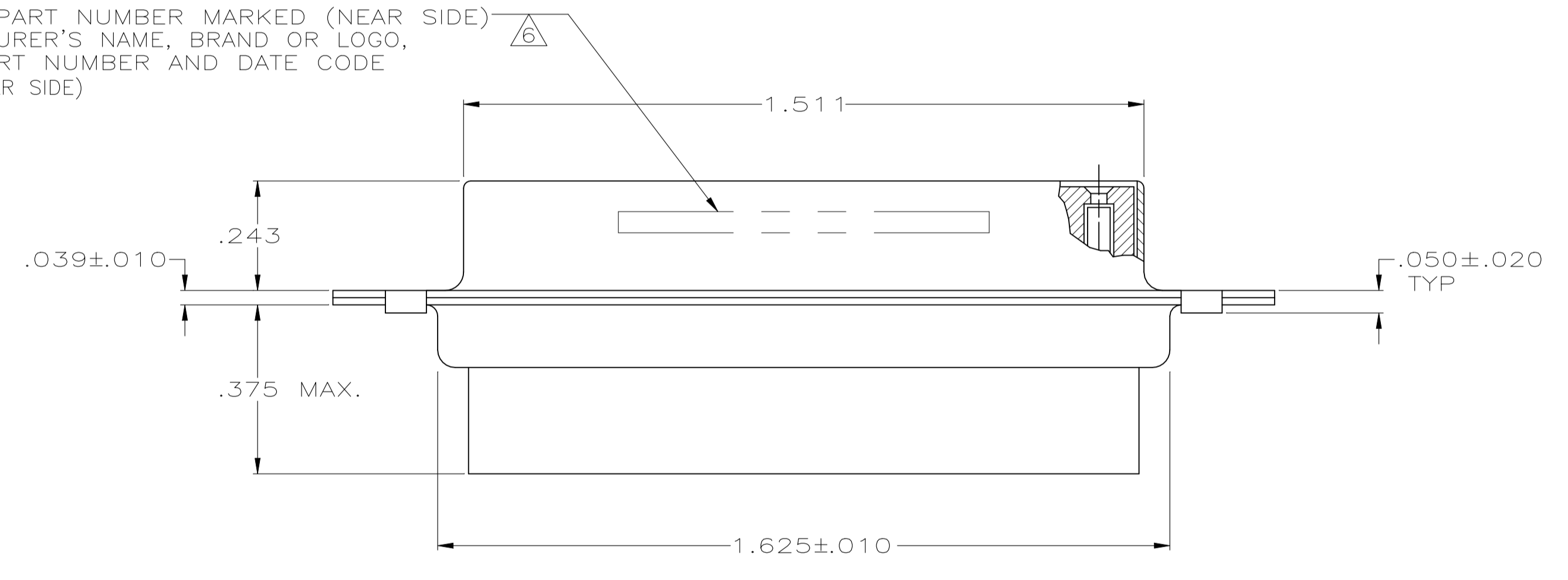


REVISIONS					
P	LTR	DESCRIPTION	DATE	DN	APVD
AB	REVISED PER	ECN-24-271322	18JUN2024	PE	DS

1. THIS RCPT IS DESIGNED TO CONFORM TO THE LATEST ISSUE OF MIL-C-24308. EXCEPT AS NOTED HEREIN.
2. MAX WIRE INSUL TO BE USED WITH THIS RCPT IS ϕ .054.
3. METAL RETENTION CLIPS ARE INCLUDED IN INSERTS.
4. PACKAGE STAMPED M24308/2-288F.
5. THIS RCPT WILL ACCEPT SIZE 22 SOCKET CONTACT M 39029/57-354 OR ANY TE HDD-22 SOCKET CONTACT.
6. MFG'S PART NO. STAMPED ON CONNECTOR REPRESENTS KIT NUMBER WITH CONTACTS.
7. POLYPHENYLENE SULFIDE (PPS) GST-40F PER MIL-M-24519 OR GLASS FILLED POLYESTER TPES013G30 PER ASTM D5927
8. PHENOLIC
 COLOR: BLACK
 OR POLYPHENYLENE SULFIDE(PPS)
 PER MIL-M24519, TYPE GST-40F
 COLOR: BLACK
9. STEEL PER ASTM-A-109 OR EQUIVALENT.
10. BRASS PER ASTM-B-36.
11. FINISH: CADMIUM PER QQ-P-416, TYPE II, CLASS 2 OVER COPPER PER AMS2418, CLASS 4.
12. FINISH: ZINC .000200-.000400 THK., YELLOW CHROMATE.
13. FINISH: TIN PER ASTM-B-545, .000200 MIN THK THK OVER COPPER PER AMS2418, .000050 MIN THK.
14. PACKAGE STAMPED M24308/6-288F.
15. FINISH: BRIGHT TIN PER ASTM-B-545, .000400-.000550 THK OVER COPPER PER AMS2418, .000050 MIN THK.



MILITARY PART NUMBER MARKED (NEAR SIDE)
 MANUFACTURER'S NAME, BRAND OR LOGO,
 MFG'S PART NUMBER AND DATE CODE
 MARKED (FAR SIDE)



WARNING - THIS DOCUMENT CONTAINS TECHNOLOGY WHOSE EXPORT IS RESTRICTED BY THE EXPORT ADMINISTRATION REGULATIONS ("EAR") PURSUANT TO 15 C.F.R. PARTS 730-774. VIOLATIONS OF THE EAR ARE SUBJECT TO SEVERE CRIMINAL PENALTIES UNDER THE EXPORT CONTROL REFORM ACT, AS AMENDED (TITLE 50, U.S.C., SEC. 4801, ET SEQ.).

204504-5 OBSOLETED	-				204504-5	-	204504-5
204504-4 OBSOLETED	-				-	-	204504-4
SUPSD. BY 206504-1	-				-	-	204504-3
SUPSD. BY 206064-4	-				204504-4	M24308/6-13F	204504-2
					204516-2	M24308/2-13F	204504-1
REMARKS	INSERT MATERIAL	SHELL MATERIAL	SHELL FINISH	INK STAMP MFG'S PART NO.	MARKED MILITARY PART NUMBER	PART NUMBER	

THIS DRAWING IS A CONTROLLED DOCUMENT.

DIMENSIONS: INCHES	TOLERANCES UNLESS OTHERWISE SPECIFIED:	DIN C.C.THOMAS 01DEC87	TE Connectivity
0. PLC ± -	1. PLC ± -	25JAN88	
2. PLC ± -	3. PLC ± .005	25JAN88	
4. PLC ± -	ANGLES ± 0', 30'		
MATERIAL SEE TABLE	FINISH SEE CALLOUTS	APVD F.BALLEW	NAME F.BALLEW
		APPLICATION SPEC	AMPLIMITE RCPT FOR SOCKET CONTACTS HI-DENSITY CONN SZ 3, 44 POSITION, SER 90
		WEIGHT	SIZE CAGE CODE DRAWING NO. A1 00779 C=204504
		CUSTOMER DRAWING	RESTRICTED TO

SCALE 4:1 SHEET 1 of 1 REV AB