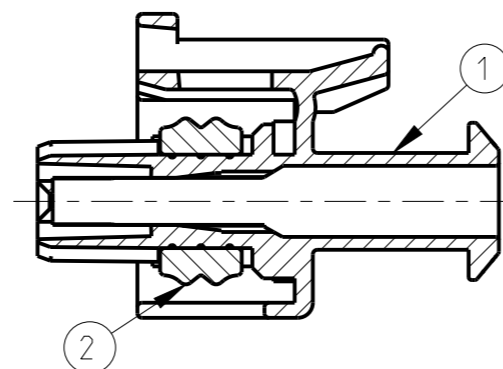
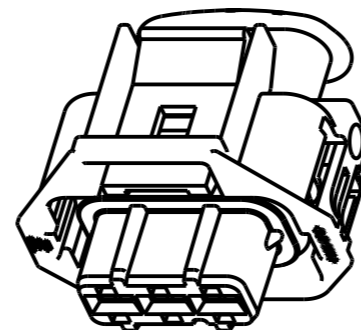
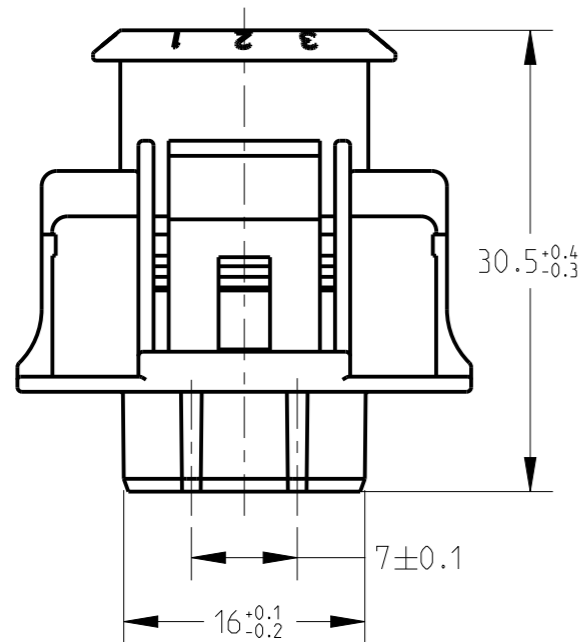


P	LTR	DESCRIPTION	DATE	DWN	APVD
	A	RELEASED	16MAR09	NZ	KO
	A1	ECR-20-009580	10JUL20	S.C	I.Y
	A2	ECR-21-006044	18JUN21	K.Z	J.Z



SECTION A-A

NOTES:

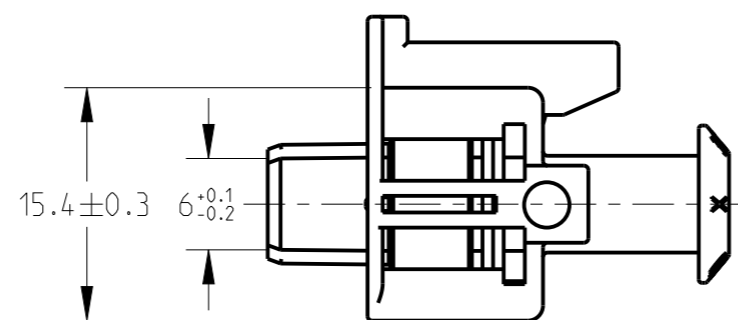
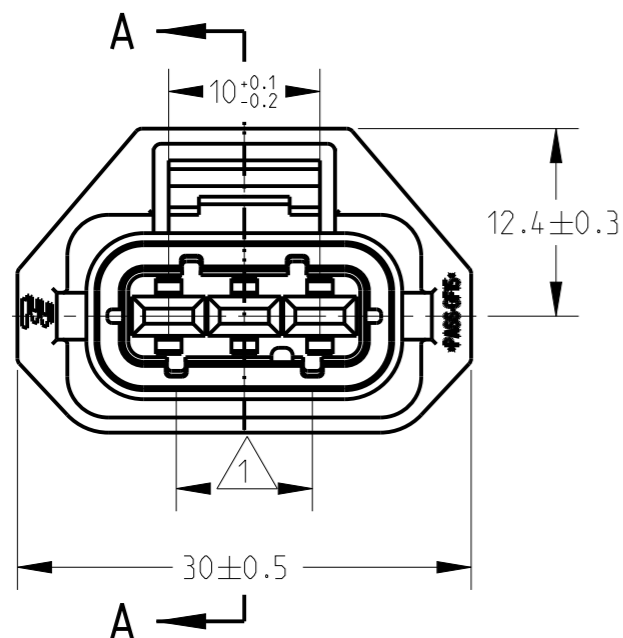
1. CODING IS AS FOLLOWS; SEE TABLE 1.

2. APPLIED RECEPTACLE CONTACT P/N:

DESCRIPTION	2.8mm SENSOR-FLAT RECEPTACLE OR EQUIVALENT	
PART NO.	967542 OR EQU.	967543 OR EQU.
WIRE SIZE	0.5~1.0	>1.0~2.5

3. APPLIED WIRE SEAL P/N:

DESCRIPTION	SINGLE-WIRE SEAL (5mm HOLE)	
PART NO.	828904	828905
INSULATION DIA.(Ø)	1.2~2.1mm	2.2~3.0mm



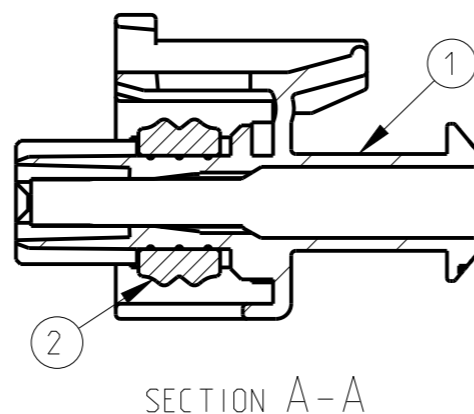
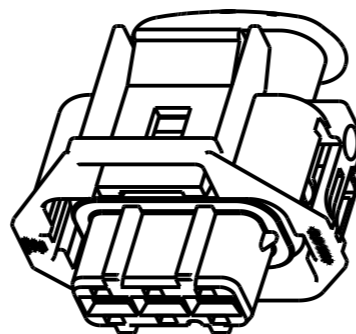
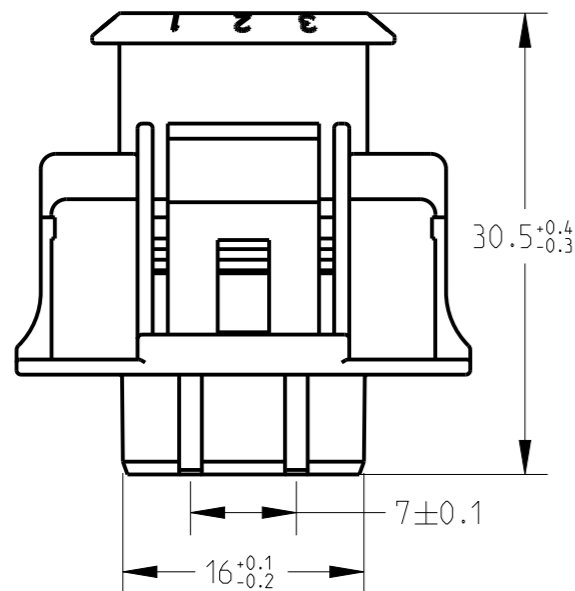
(TABLE 1)

CODE I	2050049-1/3	CODE II	2050049-2

1	1	1	PC	ORANGE	SILICON	INNER SEAL	2
1			PC	BLUE	PA66 GF15	PLUG (CODE I)	1
	1		PC	BLACK	PA66 GF15	PLUG (CODE II)	1
		1	PC	BLACK	PA66 GF15	PLUG (CODE I)	1
-3	-2	-1	U/M	COLOR	MATERIAL	DESCRIPTION	ITEM

THIS DRAWING IS A CONTROLLED DOCUMENT.		DWN FY.YAN 14APR08	TE TE Connectivity	
DIMENSIONS: mm		CHK W.YUAN 30MAY08		
TOLERANCES UNLESS OTHERWISE SPECIFIED:		APVD K.ODA 16JUN08	NAME 3P PLUG ASSEMBLY (FLAT SENSOR CONNECTOR)	
0 PLC ±0.5 ±0.30		PRODUCT SPEC 108-101133-1	-	
1 PLC ±0.13		APPLICATION SPEC -	SIZE A3	CAGE CODE 00779
2 PLC ±0.013		WEIGHT -	DRAWING NO C=2050049	RESTRICTED TO
3 PLC ±0.0001		FINISH ±2°	SCALE 1:1	SHEET 1 OF 2
4 PLC ±		RESTRICTED CUSTOMER	REV A2	

P	LTR	DESCRIPTION	DATE	DWN	APVD
		SEE SHEET 1			



NOTES:

1. CODING IS AS FOLLOWS; SEE TABLE 1.

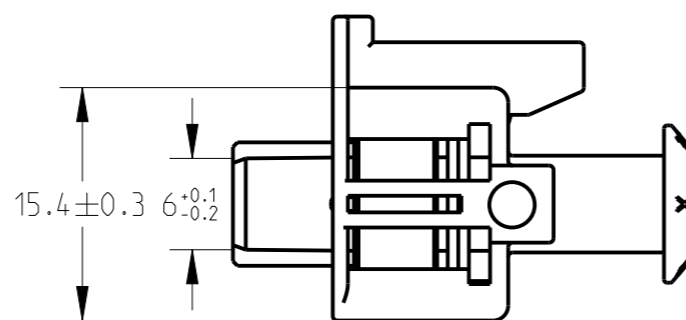
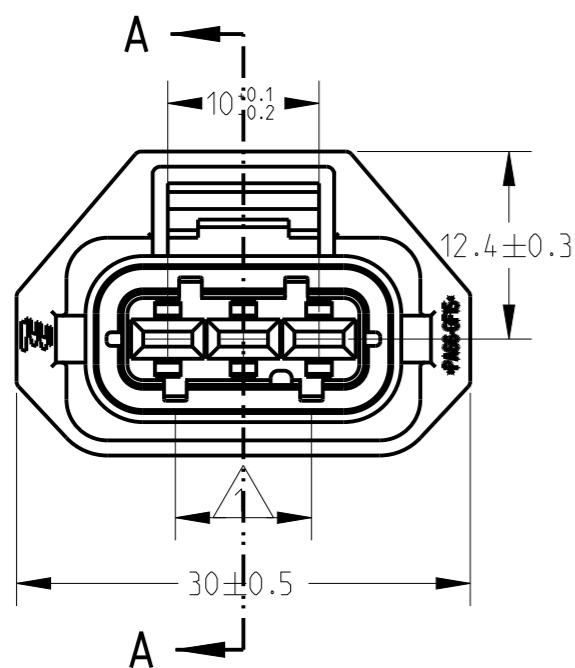
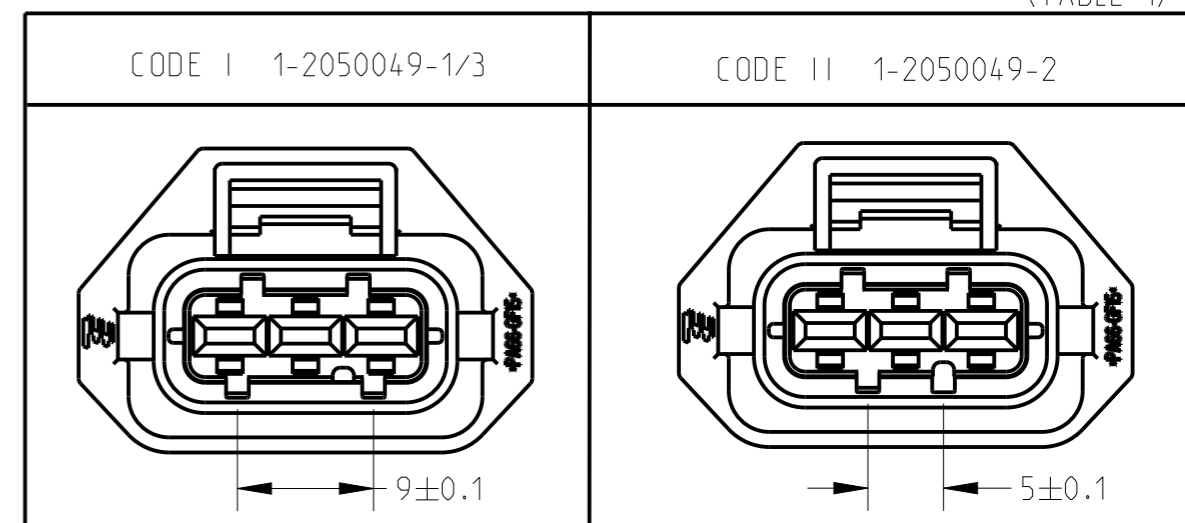
2. APPLIED RECEPTACLE CONTACT P/N:

DESCRIPTION	2.8mm SENSOR-FLAT RECEPTACLE OR EQUIVALENT	
PART NO.	967542 OR EQU.	967543 OR EQU.
WIRE SIZE	0.5~1.0	>1.0~2.5

3. APPLIED WIRE SEAL P/N:

DESCRIPTION	SINGLE-WIRE SEAL (5mm HOLE)	
PART NO.	828904	828905
INSULATION DIA.(Ø)	1.2~2.1mm	2.2~3.0mm

(TABLE 1)



1	1	1	PC	ORANGE	SILICON	INNER SEAL	2
1			PC	BLUE	PA66 GF15	PLUG (CODE I)	1
	1		PC	BLACK	PA66 GF15	PLUG (CODE II)	1
		1	PC	BLACK	PA66 GF15	PLUG (CODE I)	1
1-3	1-2	1-1	U/M	COLOR	MATERIAL	DESCRIPTION	ITEM

THIS DRAWING IS A CONTROLLED DOCUMENT.		DWN K.ZHOU 18JUN21	TE Connectivity	
DIMENSIONS: mm		CHK T.DONG 18JUN21		
TOLERANCES UNLESS OTHERWISE SPECIFIED:		APVD J.ZONG 18JUN21	NAME 3P PLUG ASSEMBLY (FLAT SENSOR CONNECTOR)	
0 PLC ±0.5 ±0.30 1 PLC ±0.5 ±0.30 2 PLC ±0.13 ±0.13 3 PLC ±0.013 ±0.013 4 PLC ±0.0001 ±0.0001 ANGLES ±		PRODUCT SPEC 108-101133-1	RESTRICTED TO	
MATERIAL SEE TABLE		APPLICATION SPEC -	SIZE A3	CAGE CODE 00779
FINISH ±2°		WEIGHT -	DRAWING NO C=2050049	RESTRICTED TO
finish_spec_2		RESTRICTED CUSTOMER	SCALE 1:1	SHEET 2 OF 2
				REV A2