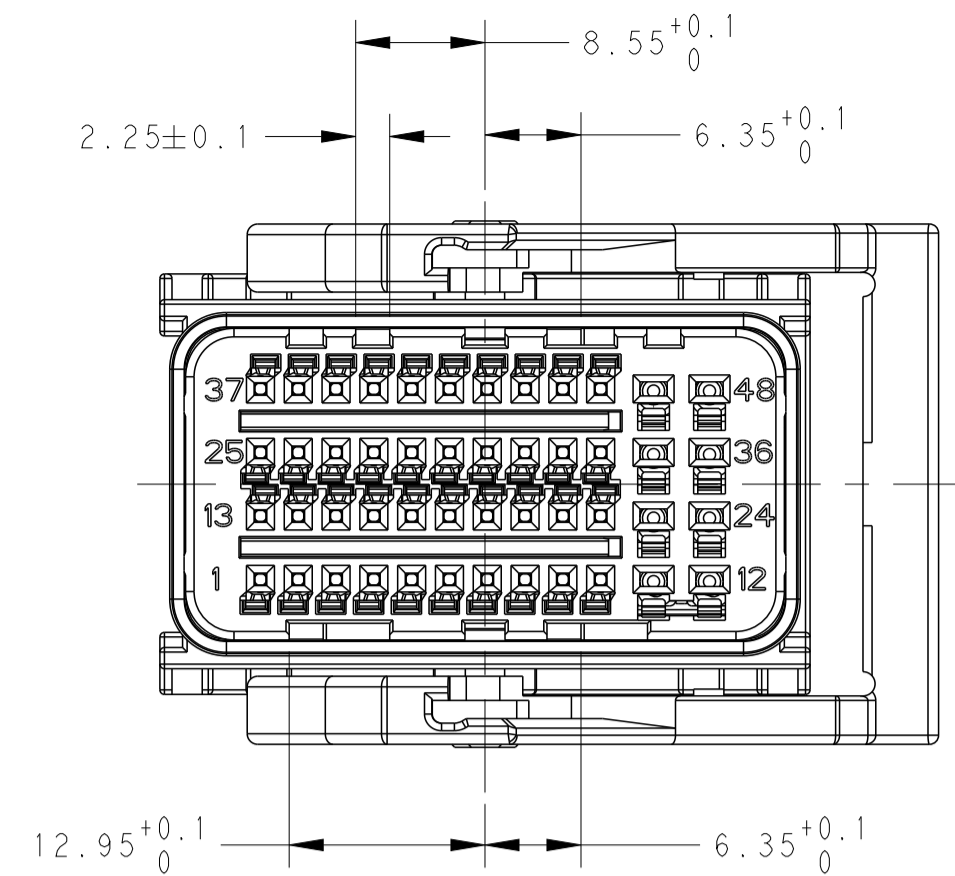


CODING 1

LOC	DIST	REV	DESCRIPTION	DATE	OWN	APPV
ES	00					
D3			ECR-20-011405	12AUG2020	J.L	J.Y
D4			ECN-21-115526	31AUG2021	J.L	J.Z
D5			ECN-22-142480 (DRAWING UPDATE ONLY)	08MAR2022	J.L	J.Z
D6			ECN-22-178412	10OCT22	W.H	J.Z

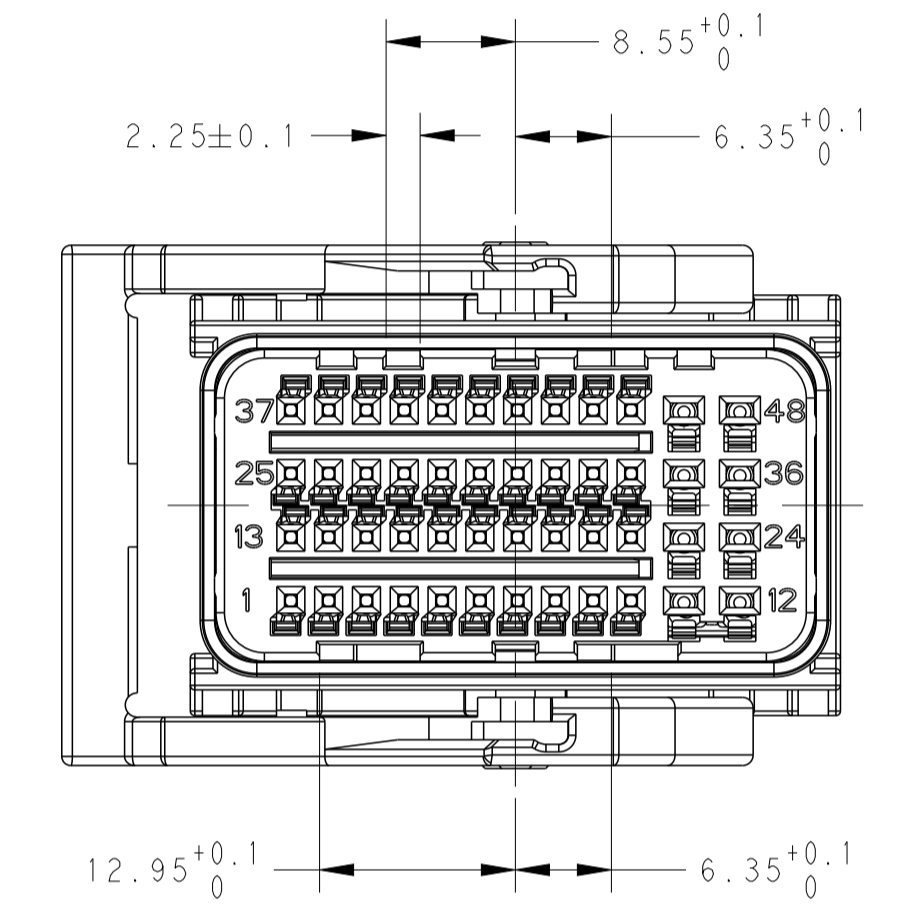
CAVITY NO.		PINOUT CONFIGURATION																																																								
		1	2	3	4	5	6	7	8	9	10	11	12	13	14	15	16	17	18	19	20	21	22	23	24	25	26	27	28	29	30	31	32	33	34	35	36	37	38	39	40	41	42	43	44	45	46	47	48									
2050981-7	2050982-5	X			X		X				X															X																X		X		X		X										
2050981-4	2050982-4	X	X	X	X	X	X	X	X	X	X	X	X	X	X	X	X	X	X	X	X	X	X	X	X	X	X	X	X	X	X	X	X	X	X	X	X	X	X	X	X	X	X	X	X	X	X	X	X	X	X	X	X					
2050981-3	2050982-3	X		X	X	X	X	X	X	X	X	X	X	X	X	X	X	X	X	X	X	X	X	X	X	X	X	X	X	X	X	X	X	X	X	X	X	X	X	X	X	X	X	X	X	X	X	X	X	X	X	X	X	X	X			
2050981-2	2050982-2			X	X	X		X	X	X	X	X	X	X	X	X	X	X	X	X	X	X	X	X	X	X	X	X	X	X	X	X	X	X	X	X	X	X	X	X	X	X	X	X	X	X	X	X	X	X	X	X	X	X	X	X		
2050981-1	2050982-1	X	X	X	X	X	X	X	X	X	X	X	X	X	X	X	X	X	X	X	X	X	X	X	X	X	X	X	X	X	X	X	X	X	X	X	X	X	X	X	X	X	X	X	X	X	X	X	X	X	X	X	X	X	X	X	X	X
PACKING PN	TE PN (48P MIXED HOUSING)	1	2	3	4	5	6	7	8	9	10	11	12	13	14	15	16	17	18	19	20	21	22	23	24	25	26	27	28	29	30	31	32	33	34	35	36	37	38	39	40	41	42	43	44	45	46	47	48									
BLANKED CAVITIES INDICATE CLOSED LOCATIONS WITH "X" MARKED CAVITIES INDICATE OPEN LOCATIONS																																																										



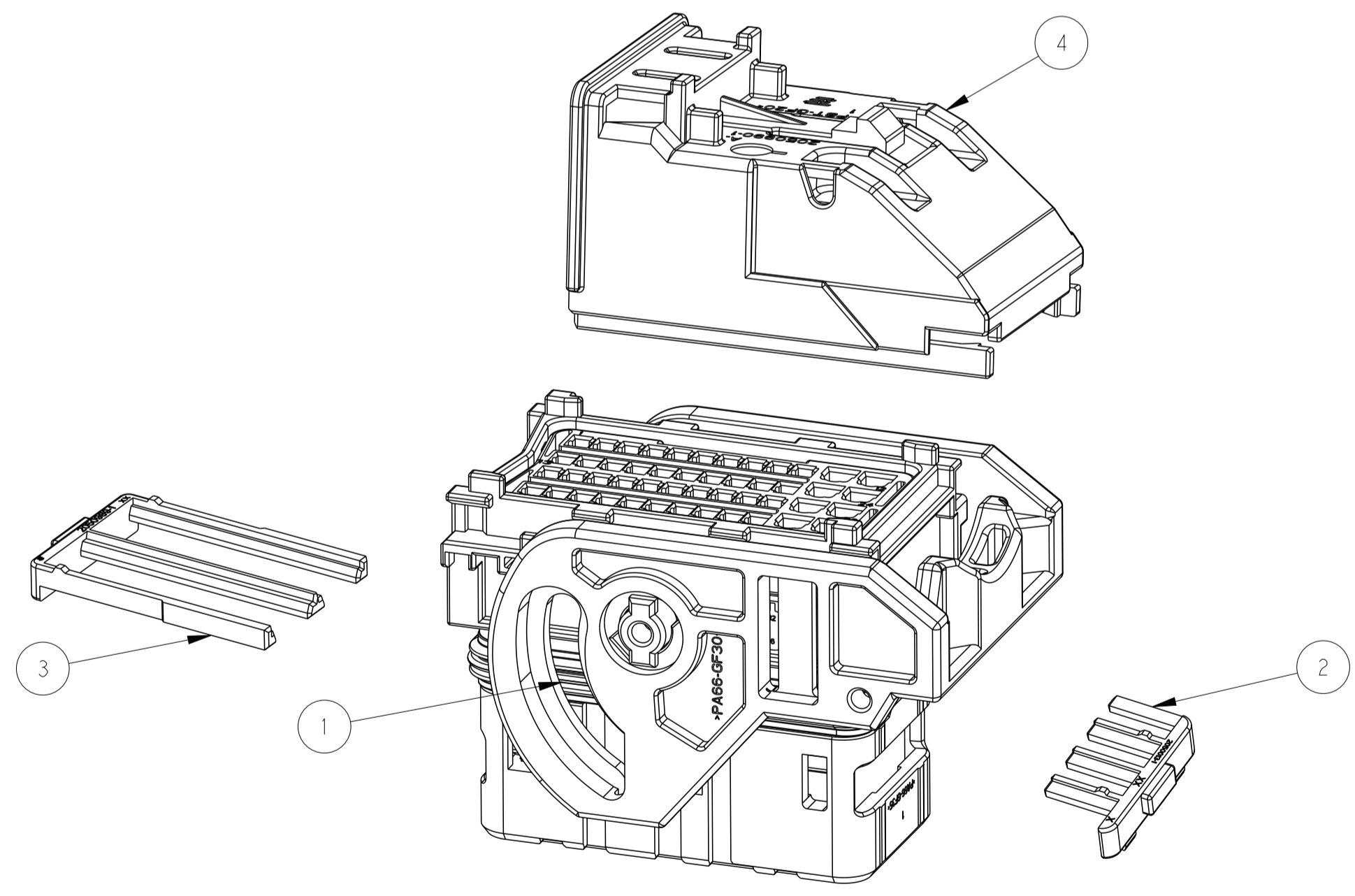
CODING 1
BLACK
LEVER RIGHT
CABLE EXIT LEFT
PN 2050982

CODING 1

CAVITY NO.		PINOUT CONFIGURATION																																																								
		1	2	3	4	5	6	7	8	9	10	11	12	13	14	15	16	17	18	19	20	21	22	23	24	25	26	27	28	29	30	31	32	33	34	35	36	37	38	39	40	41	42	43	44	45	46	47	48									
2137489-3	2137289-3	X			X		X																			X																	X		X		X											
2137489-2	2137289-2			X	X	X		X	X	X	X	X	X	X	X	X	X	X	X	X	X	X	X	X	X	X	X	X	X	X	X	X	X	X	X	X	X	X	X	X	X	X	X	X	X	X	X	X	X	X	X	X	X	X	X	X		
2137489-1	2137289-1	X	X	X	X	X	X	X	X	X	X	X	X	X	X	X	X	X	X	X	X	X	X	X	X	X	X	X	X	X	X	X	X	X	X	X	X	X	X	X	X	X	X	X	X	X	X	X	X	X	X	X	X	X	X	X	X	X
PACKING PN	TE PN (48P MIXED HOUSING)	1	2	3	4	5	6	7	8	9	10	11	12	13	14	15	16	17	18	19	20	21	22	23	24	25	26	27	28	29	30	31	32	33	34	35	36	37	38	39	40	41	42	43	44	45	46	47	48									
BLANKED CAVITIES INDICATE CLOSED LOCATIONS WITH "X" MARKED CAVITIES INDICATE OPEN LOCATIONS																																																										



CODING 1
BLACK
LEVER LEFT
CABLE EXIT RIGHT
PN 2137289



ITEM	QUANTITY	DESCRIPTION	UNIT	
1	1	COVER	4	
1	1	2ND LOCK MQS	3	
1	1	2ND LOCK 1.5	2	
1	1	X-2137903-X	48P MIXED HOUSING CODE 6, YELLOW	1
1	1	X-2137902-X	48P MIXED HOUSING CODE 64, YELLOW	1
1	1	X-2137901-X	48P MIXED HOUSING CODE 5, BLUE	1
1	1	X-2137900-X	48P MIXED HOUSING CODE 5, BLUE	1
1	1	X-2137899-X	48P MIXED HOUSING CODE 4, GREEN	1
1	1	X-2137898-X	48P MIXED HOUSING CODE 4, GREEN	1
1	1	X-2137293-X	48P MIXED HOUSING CODE 3, BROWN	1
1	1	X-2137292-X	48P MIXED HOUSING CODE 3, BROWN	1
1	1	X-2137291-X	48P MIXED HOUSING CODE 2, GREY	1
1	1	X-2137290-X	48P MIXED HOUSING CODE 2, GREY	1
1	1	X-2137289-X	48P MIXED HOUSING CODE 1, BLACK	1
1	1	X-2050982-X	48P MIXED HOUSING CODE 1, BLACK	1
PART NO.	DESCRIPTION	ITEM		

NOTES:

- EQUAL QUANTITY OF COMPONENTS TO BE PACKAGED TOGETHER IN SAME SHIPPING BOX.
- APPLICATION TERMINALS SEE TABLE.
- SPECIAL TERMINAL PERFORMANCE SEE RELEVANT SPEC.

TERMINALS	REFER TO DRAWING	TE PN	WIRE SIZE (mm ²)	WIRE SIZE DIAMETER (mm)	NOTES
T0.64	1355900	X-968220-X	0.35	Ø1.2 - 1.3	BLIND PLUG 1394871-1
		X-968221-X	0.5 - 0.75	Ø1.4 - 1.9	
T1.5	638652	2050986	0.5-0.75	Ø1.7 - Ø1.9	BLIND PLUG 1670108-1
		638652-2	0.5 - 1.00	Ø1.4 - 2.1	
		638652-1	1.0 - 1.5	Ø1.9 - 2.4	

THIS DRAWING IS A CONTROLLED DOCUMENT.

OWN: B. PU 26AUG2010
 CHG: Y. YANG 26AUG2010
 APVD: K. ODA 02NOV2010

PRODUCT SPEC: 48POS. MIXED RECEPTACLE HOUSING 40xMQS AND 8x1.5

APPLICATION SPEC: 114-18761-1

WEIGHT: 38.47g

CUSTOMER DRAWING

SCALE: 1:1

SHEET 1 OF 6

REV: D6

STE TE Connectivity

