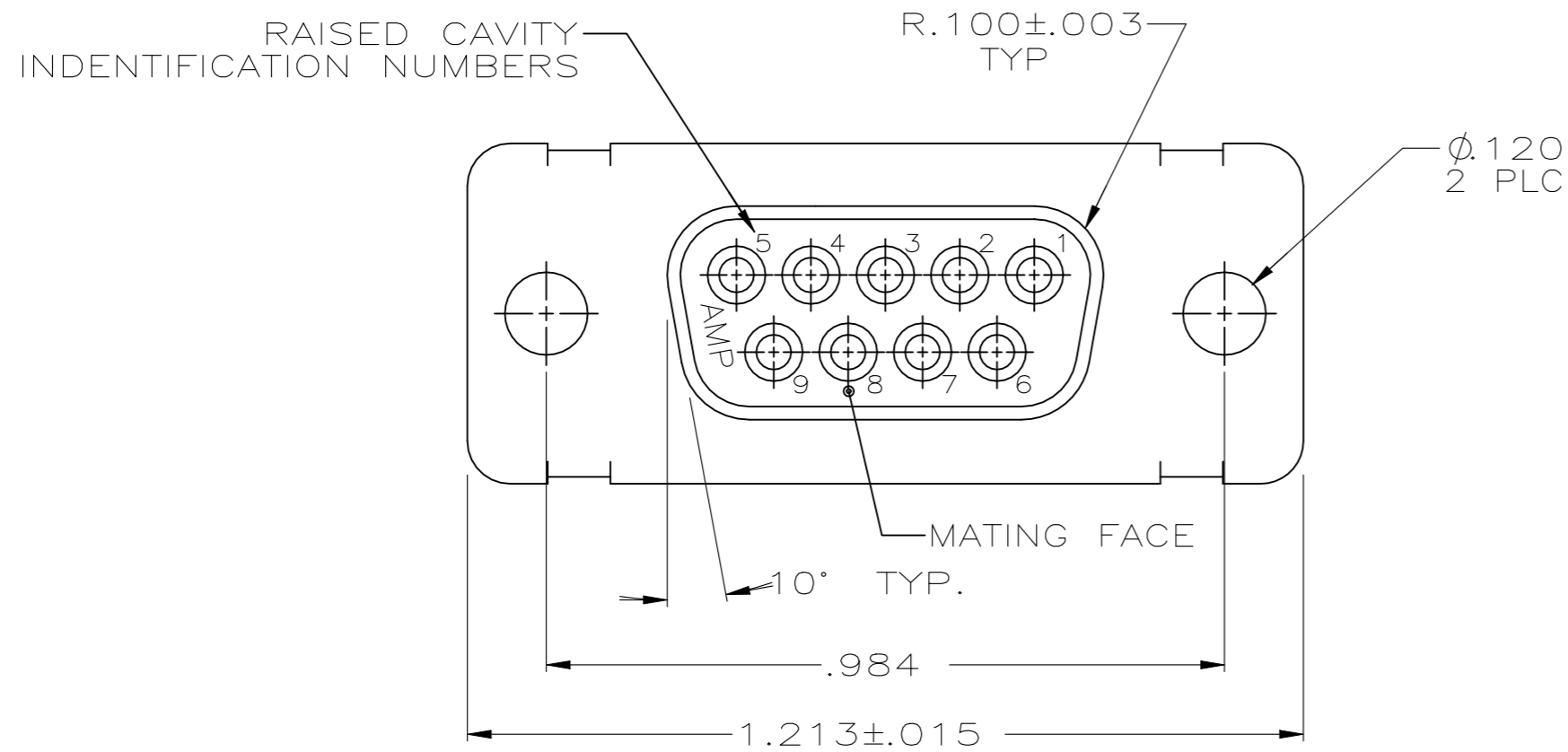
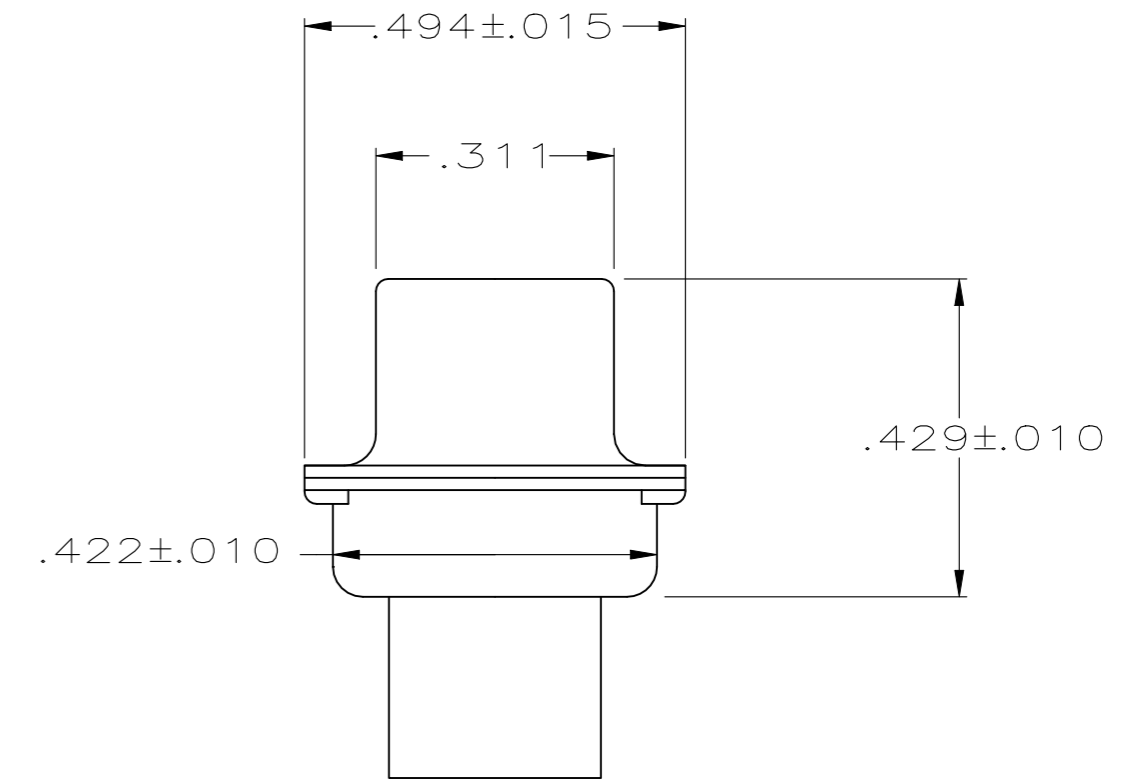
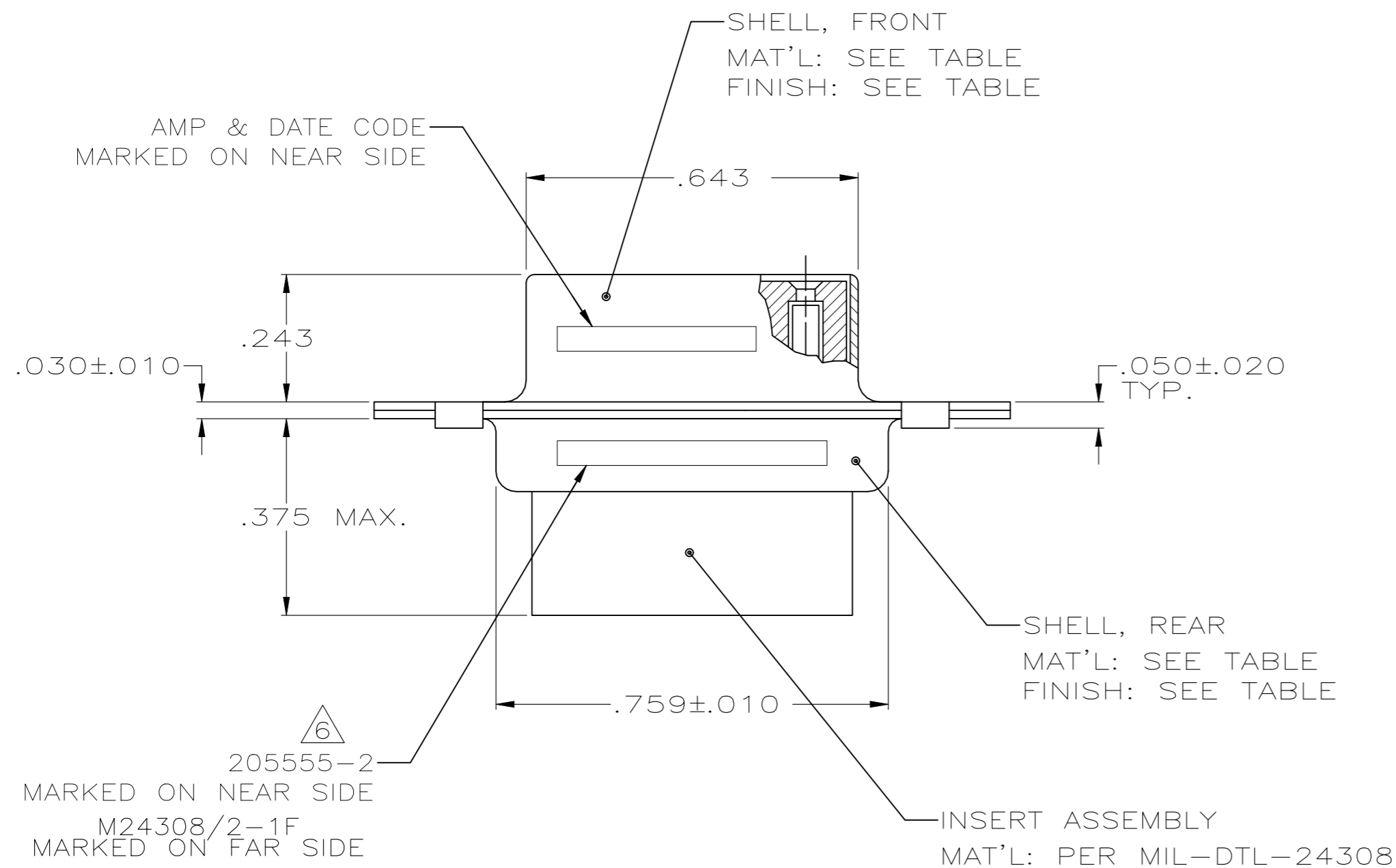


REVISIONS					
P	LTR	DESCRIPTION	DATE	DWN	APVD
R		REVISED PER ECN-24-282584	02SEP2024	PP	DS



- THIS RCPT. IS DESIGNED TO CONFORM TO THE LATEST ISSUE OF MIL-C-24308
 - MAX WIRE INSUL TO BE USED WITH THIS RCPT IS .068 DIA
 - STAINLESS STEEL RETENTION CLIPS ARE INCLUDED IN INSERTS
 - PACKAGE STAMPED M24308/2-281F
 - THIS RCPT. WILL ACCEPT SIZE 20 SOCKET CONTACT M39029/63-368 OR ANY AMP HD-20 SOCKET CONTACT
- △6 AMP PART NO. STAMPED ON CONNECTOR REPRESENTS KIT NUMBER WITH CONTACTS
- △7 FINISH: PLATED BRIGHT TIN .000400 MIN THK PER ASTM-B-545 OVER COPPER PLATE .000050 MIN THK PER MIL-C-14550.



	△7	STEEL	205161-5
	△7	STEEL	205161-4
205161-3 OBSOLETE		STEEL	205161-3
SUPSD BY 207253-2		CADMIUM PER QQ-P-416	205161-2
		CADMIUM PER QQ-P-416	205161-1
		SHELL FINISH	SHELL MATERIAL
			PART NUMBER

WARNING - THIS DOCUMENT CONTAINS TECHNOLOGY WHOSE EXPORT IS RESTRICTED BY THE EXPORT ADMINISTRATION REGULATIONS ("EAR") PURSUANT TO 15 C.F.R. PARTS 730-774. VIOLATIONS OF THE EAR ARE SUBJECT TO SEVERE CRIMINAL PENALTIES UNDER THE EXPORT CONTROL REFORM ACT, AS AMENDED (TITLE 50, U.S.C., SEC. 4801, ET SEQ.).

THIS DRAWING IS A CONTROLLED DOCUMENT.		DWN C.C.THOMAS 1-12-05		
DIMENSIONS: INCHES		CHK D.MILLER 1-12-05		
TOLERANCES UNLESS OTHERWISE SPECIFIED:		APVD D.MILLER 1-12-05	NAME RCPT ASSY,AMPLIMITE, SIZE 1,9 POSN,SERIES 109	
0 PLC ± -		PRODUCT SPEC	-	
1 PLC ± -		APPLICATION SPEC	-	
2 PLC ± -		WEIGHT	-	
3 PLC ± .005		SCALE	A2 00779 C=205161	
4 PLC ± -		CUSTOMER DRAWING	SCALE 4:1 SHEET 1 OF 1 REV R	
ANGLES ± 0° 30'				
FINISH				
SEE CALLOUTS				