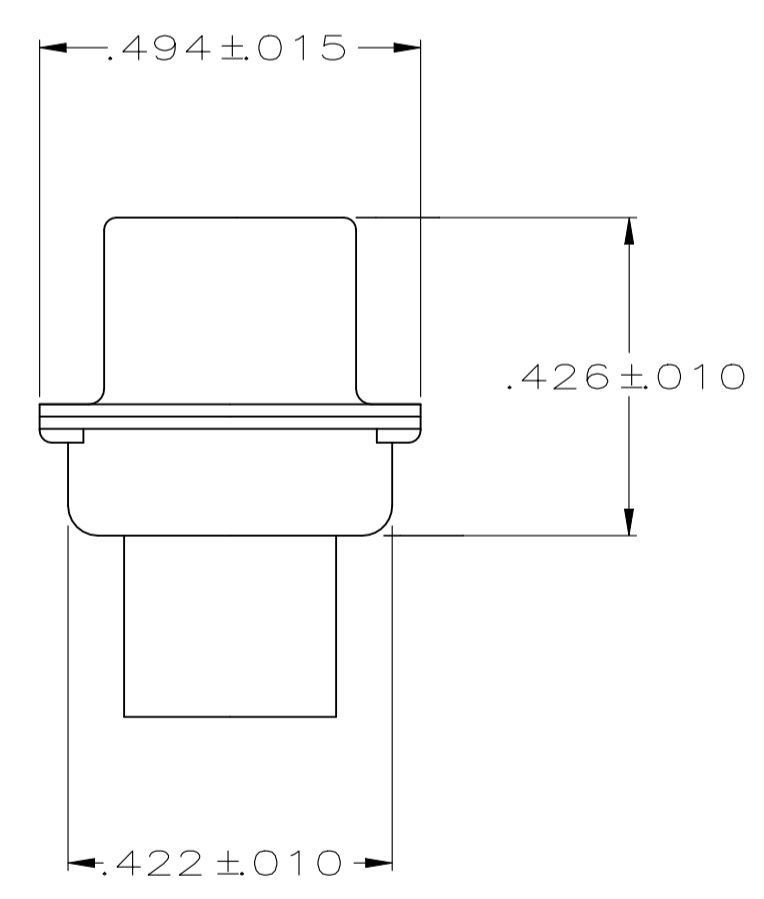
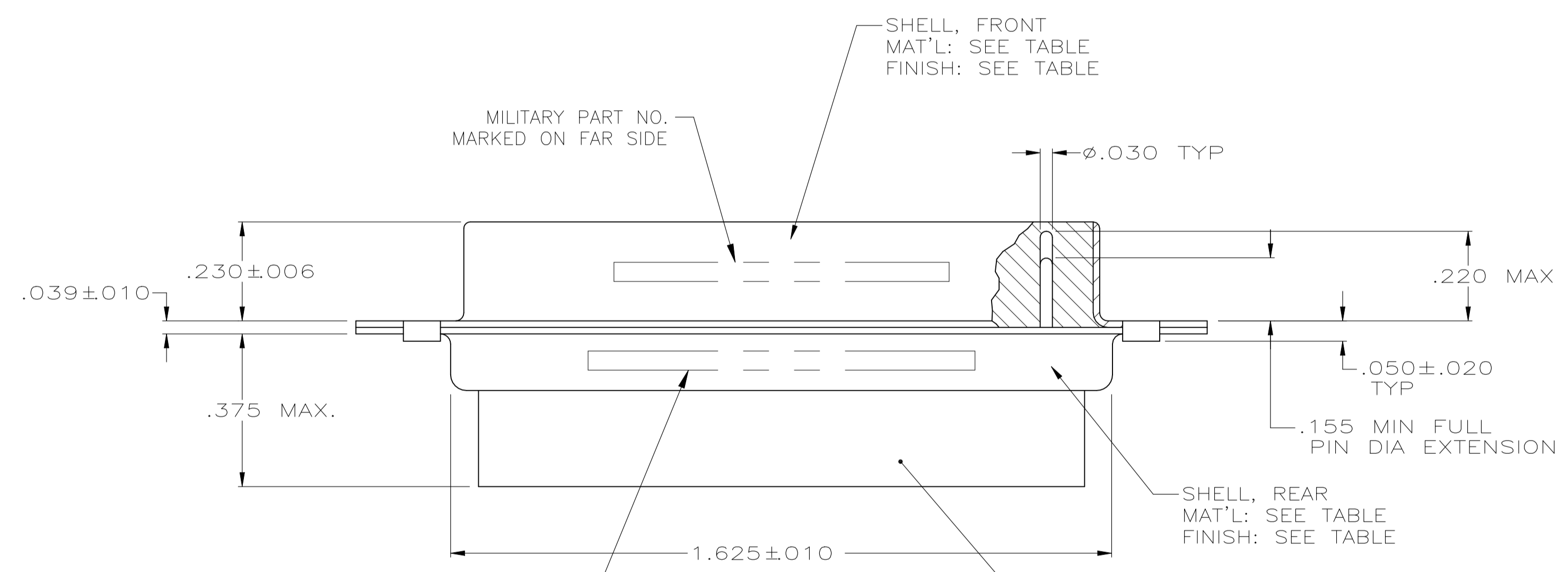
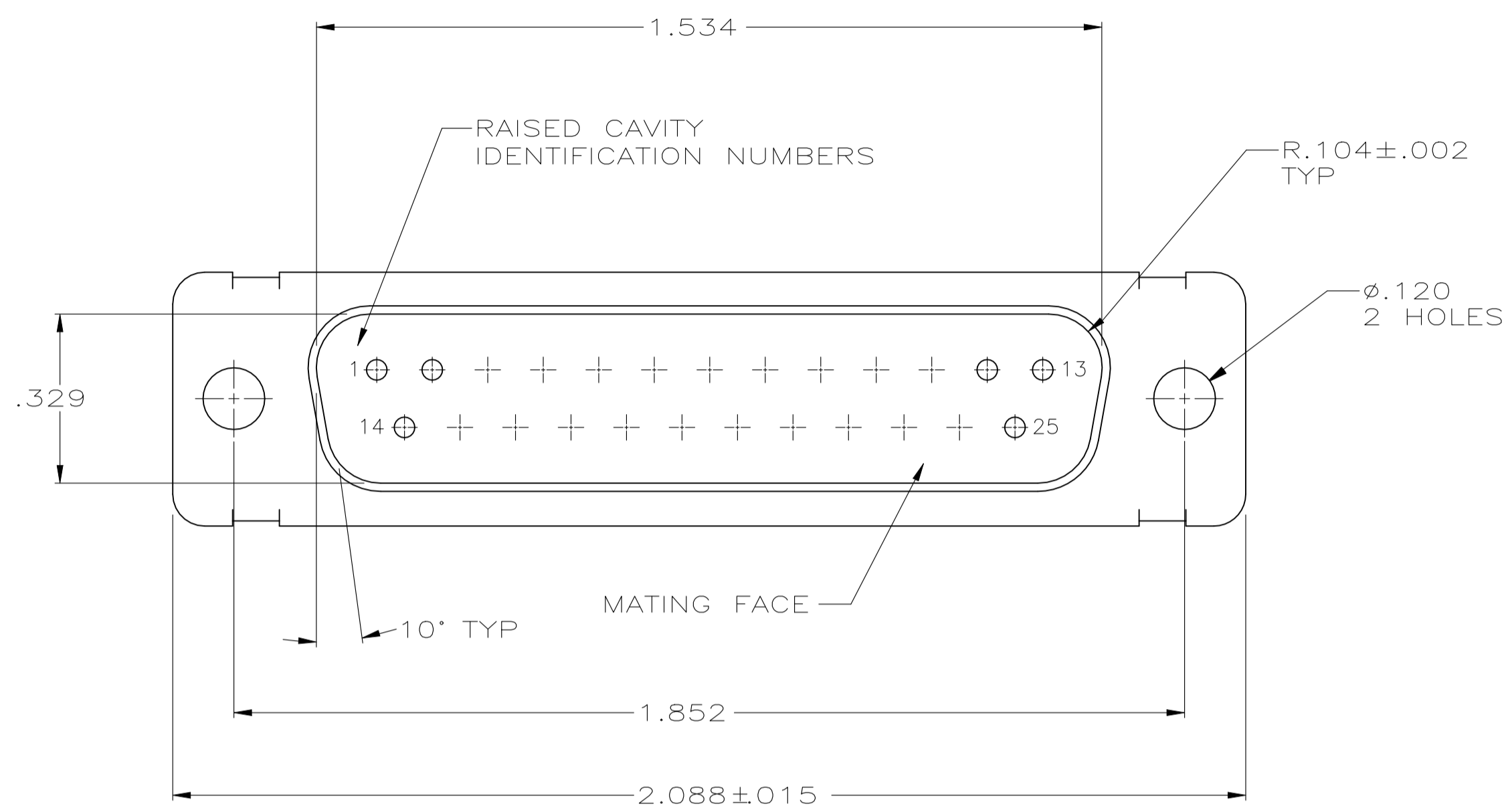


REVISIONS					
P	LTR	DESCRIPTION	DATE	DN	APVD
T		REVISED PER ECN-24-272310	25JUN2024	PE	DS

WARNING - THIS DOCUMENT CONTAINS TECHNOLOGY WHOSE EXPORT IS RESTRICTED BY THE EXPORT ADMINISTRATION REGULATIONS ("EAR") PURSUANT TO 15 C.F.R. PARTS 730-774. VIOLATIONS OF THE EAR ARE SUBJECT TO SEVERE CRIMINAL PENALTIES UNDER THE EXPORT CONTROL REFORM ACT, AS AMENDED (TITLE 50, U.S.C., SEC. 4801, ET SEQ.).

- THIS PLUG IS DESIGNED TO CONFORM TO THE LATEST ISSUE OF MIL-C-24308.
- MAXIMUM WIRE INSULATION TO BE USED WITH THIS PLUG IS $\phi.068$.
- STAINLESS STEEL RETENTION CLIPS ARE INCLUDED IN INSERTS.
- THIS PLUG WILL ACCEPT SIZE 20 PIN CONTACT M39029/64-369 OR ANY TYCO HD-20 PIN CONTACT.
- MFG'S PART NO. STAMPED ON CONNECTOR REPRESENTS KIT NUMBER WITH CONTACTS.
- FINISH: BRIGHT TIN PER ASTM-B-545 .000400-.000550 THK OVER COPPER PER AMS2418 .000050 MIN THK.
- FRONT SHELL HAS GROUNDING INDENTS, 205166-4 ONLY, (NOT SHOWN).



MFG'S NAME, BRAND OR LOGO, MFG'S PART NO. & DATE CODE MARKED ON FAR SIDE
 MILITARY PART NO. MARKED ON FAR SIDE
 SHELL, FRONT MAT'L: SEE TABLE FINISH: SEE TABLE
 SHELL, REAR MAT'L: SEE TABLE FINISH: SEE TABLE
 INSERT ASSY MATERIAL PER MIL-DTL-24308

-	-	-	205166-5	6	STEEL, CLASS G	205166-5
205166-4 OBSOLETE	7	-	205166-4	6	STEEL, CLASS G	205166-4
SUPSD BY 206800-2	-	-	-	CADMIUM PER QQ-P-416	BRASS	205166-2
5	M24308/4-261F	M24308/4-3F	205560-2	CADMIUM PER QQ-P-416	STEEL, CLASS G	205166-1
REMARKS	MILITARY PART NO. MARKED ON PACKAGE	MILITARY PART NO. MARKED ON CONNECTOR	MFG'S PART NO. MARKED ON CONNECTOR	FINISH	SHELL MATERIAL	PART NO.

THIS DRAWING IS A CONTROLLED DOCUMENT.

DIMENSIONS: INCHES	TOLERANCES UNLESS OTHERWISE SPECIFIED:	DIN C.C.THOMAS 08-DEC-87	APVD F.C.BALLEW 10-DEC-87	NAME
0. PLC ± -	1. PLC ± -	2. PLC ± -	3. PLC ± .005	4. PLC ANGLES ± ± 0°30'
MATERIAL SEE CALLOUTS	FINISH SEE CALLOUTS	WEIGHT	SIZE	CAGE CODE
CUSTOMER DRAWING		SCALE 4:1	SHEET 1 of 1	REV T

STE TE Connectivity

AMPLIMITE PLUG FOR PIN CONTACTS
 HI-DENSITY HD-20 CONN
 SZ 3 (25 POSN) SER 109

SIZE A1 00779 C=205166