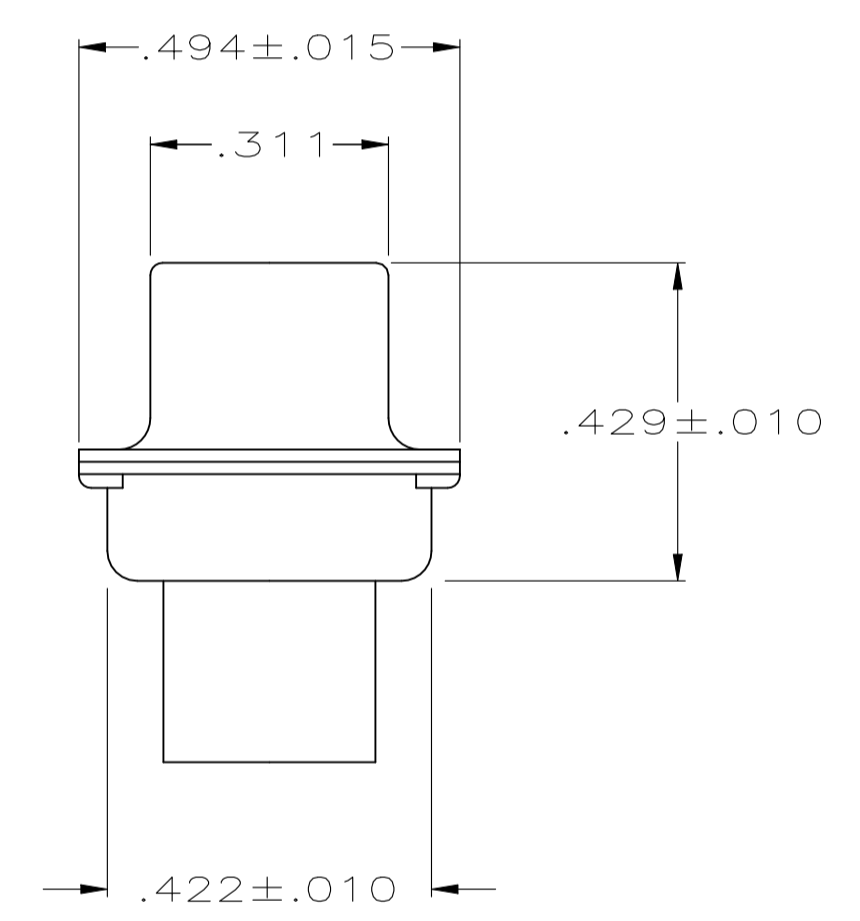
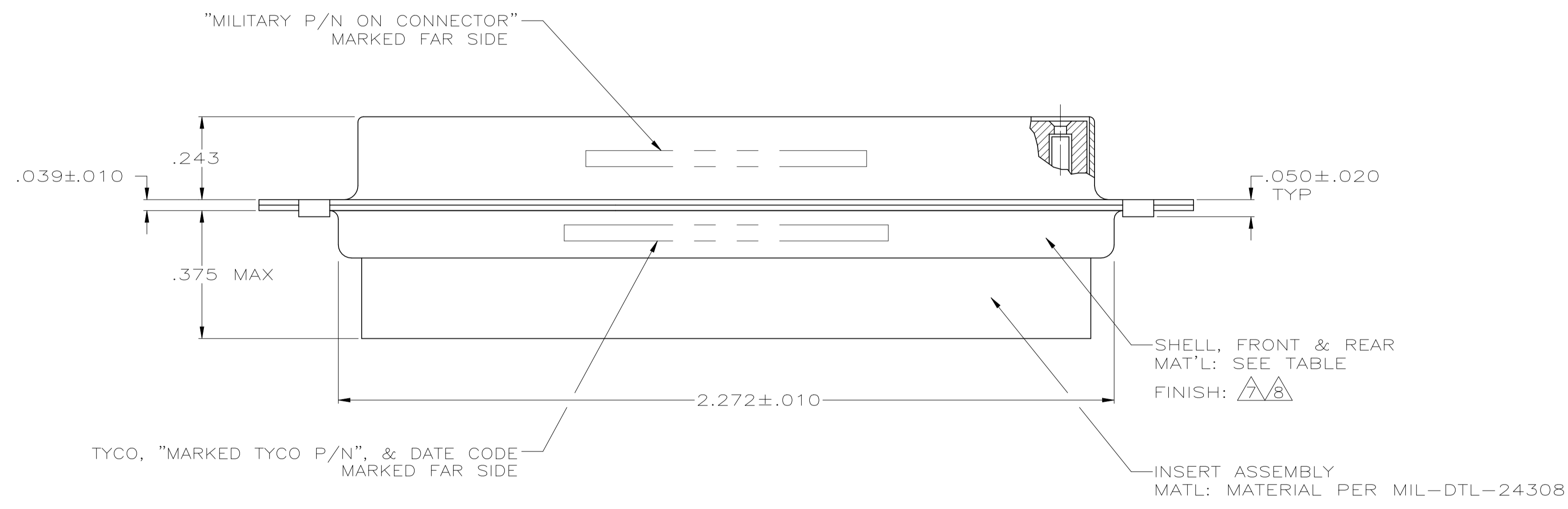
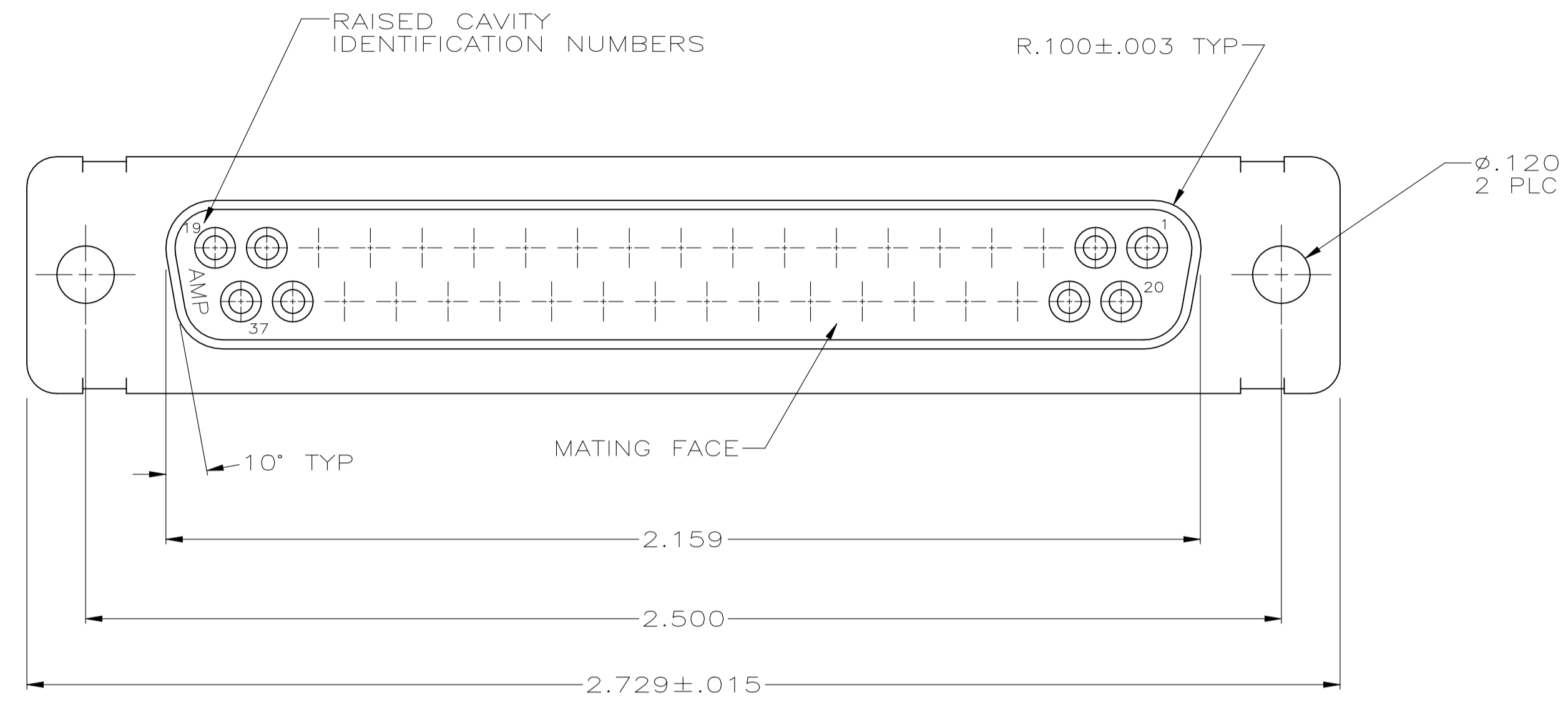


REVISIONS					
P	LTR	DESCRIPTION	DATE	DRN	APVD
T		REVISED PER ECN-24-282136	29AUG2024	PP	DS

- THIS RCPT. IS DESIGNED TO CONFORM TO THE LATEST ISSUE OF MIL-C-24308.
  - MAX WIRE INSUL TO BE USED WITH THIS RCPT IS .068 DIA.
  - STAINLESS STEEL RETENTION CLIPS ARE INCLUDED IN INSERTS.
  - THIS RCPT. WILL ACCEPT SIZE 20 SOCKET CONTACT M39029/63-368 OR ANY TYCO HD-20 SOCKET CONTACT. CONTACTS ORDERED SEPARATELY.
- ⑤ TYCO PART NO. MARKED ON CONNECTOR REPRESENTS KIT NUMBER WITH CONTACTS.
  - ⑥ RESTRICTED ITAR DRAWING.
  - ⑦ FINISH: CADMIUM PER QQ-P-416.
  - ⑧ FINISH: BRIGHT TIN PER ASTM-B-545 .000400-.000550 THK OVER COPPER PER AMS2418 .000050 MIN THK.



WARNING - THIS DOCUMENT CONTAINS TECHNOLOGY WHOSE EXPORT IS RESTRICTED BY THE EXPORT ADMINISTRATION REGULATIONS ("EAR") PURSUANT TO 15 C.F.R. PARTS 730-774. VIOLATIONS OF THE EAR ARE SUBJECT TO SEVERE CRIMINAL PENALTIES UNDER THE EXPORT CONTROL REFORM ACT, AS AMENDED (TITLE 50, U.S.C., SEC. 4801, ET SEQ.).

205167-5 OBSOLETE	-	-	⑧	STEEL PER ASTM-A-109	-	205167-5	205167-5
205167-4 OBSOLETE	-	⑥	-	-	-	-	205167-4
205167-3 OBSOLETE	-	-	⑦	STEEL PER ASTM-A-109	-	205167-3	205167-3
SUPSD BY 206803-2	-	-	-	BRASS	M24308/6-4F	205561-4	205167-2
	M24308/2-284F	⑤	⑦	STEEL PER ASTM-A-109	M24308/2-4F	205561-2	205167-1
	MILITARY P/N ON PACKAGE	REMARKS	SHELL FINISH	SHELL MAT'L	MARKED MILITARY PART NO.	MARKED TYCO PART NO.	PART NO.

THIS DRAWING IS A CONTROLLED DOCUMENT.

DIMENSIONS: INCHES	TOLERANCES UNLESS OTHERWISE SPECIFIED:	0 PLC ± -	1 PLC ± -	2 PLC ± -	3 PLC ± .005	4 PLC ± -	ANGLES ± 0°30'
MATERIAL SEE CALLOUTS	FINISH SEE CALLOUTS	WEIGHT	SIZE	CAGE CODE	DRAWING NO	RESTRICTED TO	
			A1	00779	205167		

CUSTOMER DRAWING SCALE 4:1 SHEET 1 OF 1 REV T

MANJUNATH G. M. 27-May-15  
 CHARLES THOMAS 27-May-15  
 CHARLES THOMAS 31-JAN-03  
 RECEPTACLE ASSY  
 AMPLIMITE, SIZE 4  
 SERIES 109, HD-20

STE TE Connectivity