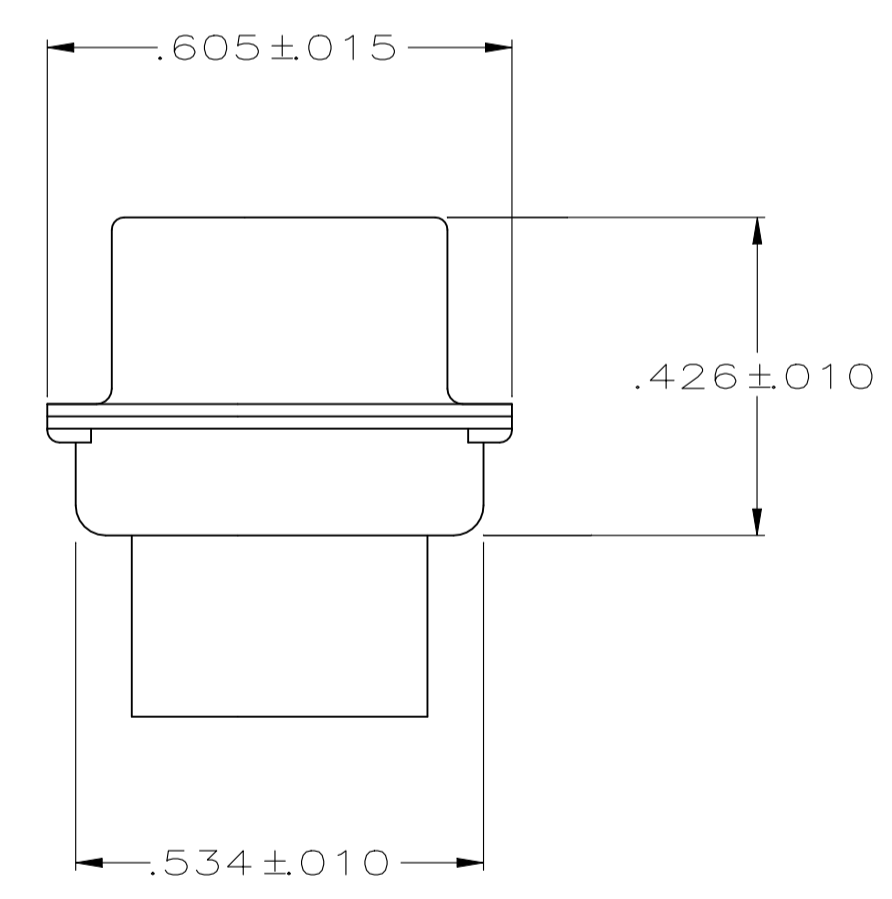
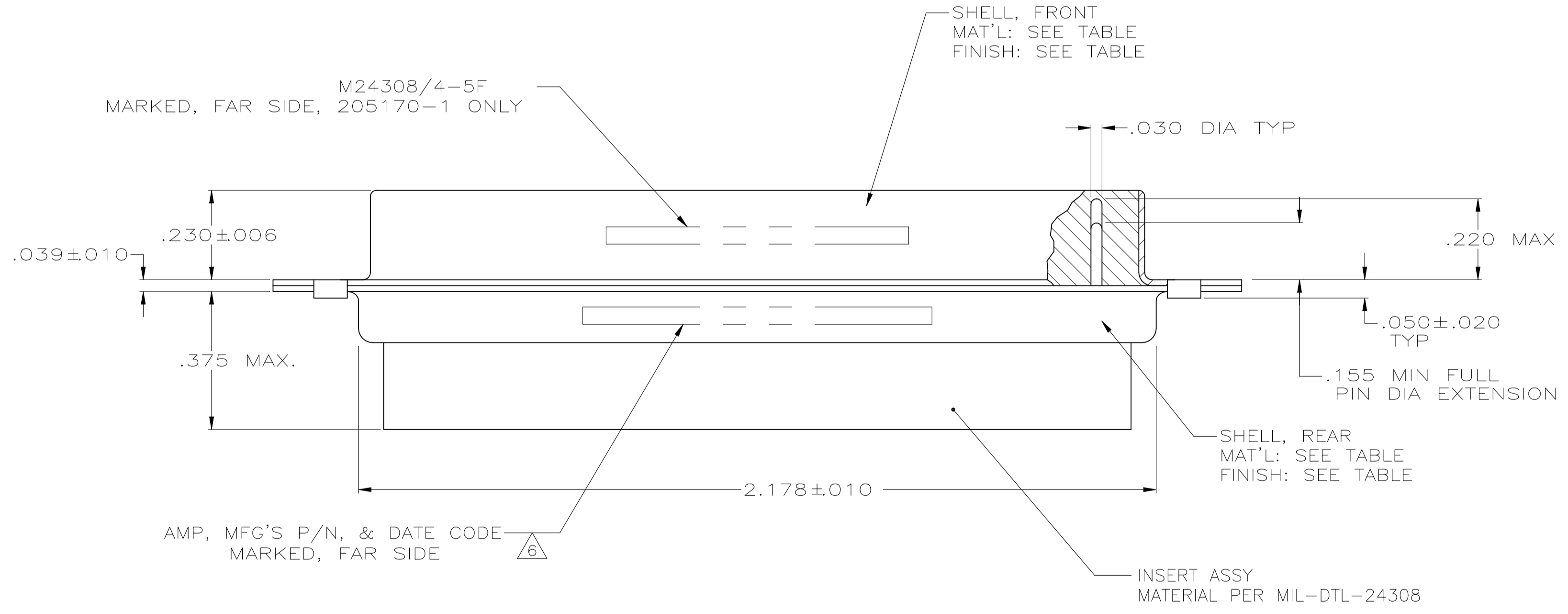
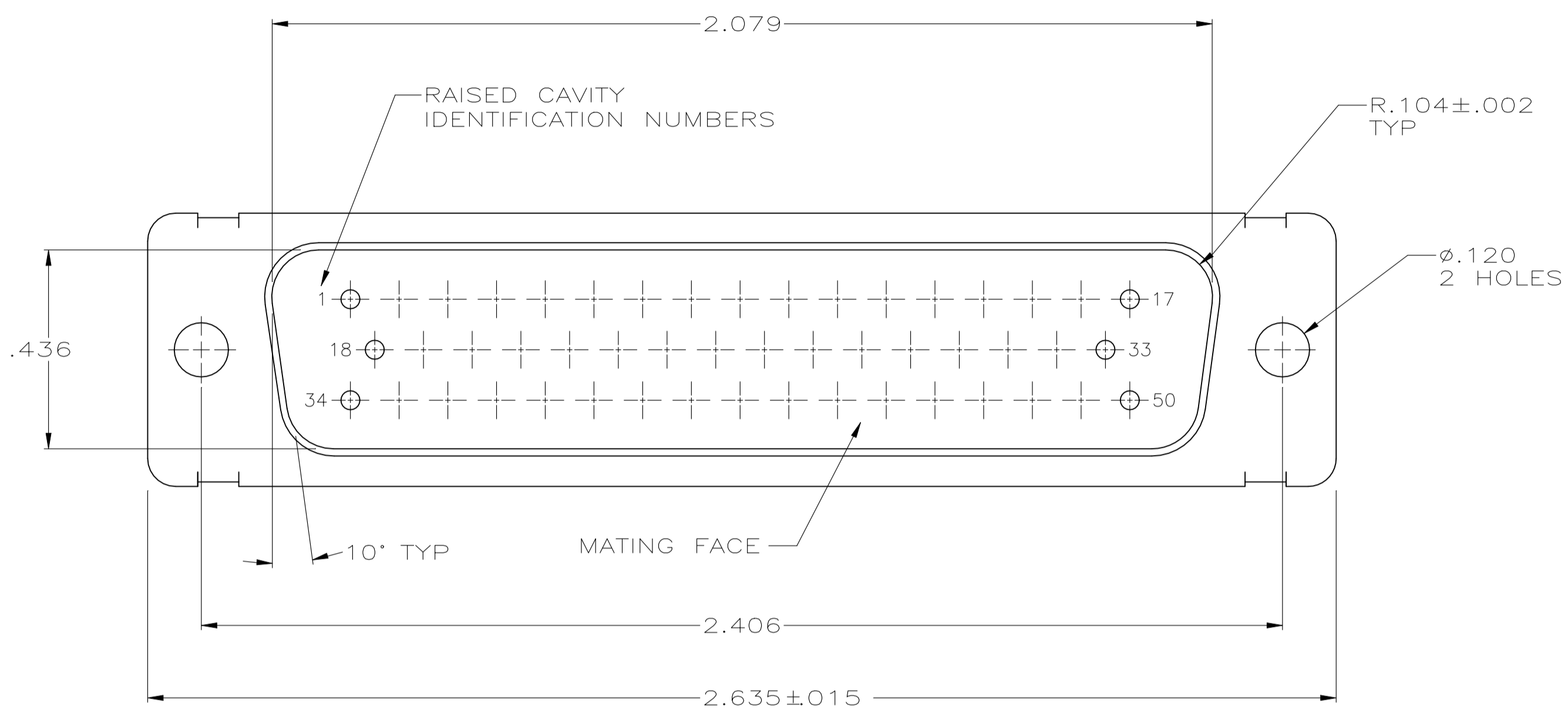


REVISIONS					
P	LTR	DESCRIPTION	DATE	DWN	APVD
T		REVISED PER ECN-24-266864	20MAY2024	PP	DS

1. THIS PLUG IS DESIGNED TO CONFORM TO THE LATEST ISSUE OF MIL-C-24308.
2. MAXIMUM WIRE INSULATION TO BE USED WITH THIS PLUG IS $\phi.068$.
3. STAINLESS STEEL RETENTION CLIPS ARE INCLUDED IN INSERTS.
4. PACKAGE MARKED M 24308/4-263F.
5. THIS PLUG WILL ACCEPT SIZE 20 PIN CONTACT M39029/64-369 OR ANY TYCO ELECTRONICS HD-20 PIN CONTACT.

- ⚠️ 6 MFG,S PART NO. MARKED ON CONNECTOR REPRESENTS KIT NUMBER WITH CONTACTS.
- ⚠️ 7 FINISH: BRIGHT TIN PER ASTM-B-545 .000400-.000550 THK OVER COPPER PER AMS2418 .000050 MIN THK.
- ⚠️ 8 FRONT SHELL HAS GROUNDING INDENTS, 205170-4 ONLY, (NOT SHOWN).



OBSOLETE	-	⚠️ 7	STEEL PER ASTM-A-109	205170-5	
OBSOLETE	⚠️ 8	⚠️ 7	STEEL PER ASTM-A-109	205170-4	
SUPSD BY 206804-2	-	-	CADMIUM PER QQ-P-416	BRASS	205170-2
	⚠️ 6	-	CADMIUM PER QQ-P-416	STEEL PER ASTM-A-109	205170-1
REMARKS	FINISH	SHELL MAT'L	PART NO.		

WARNING - THIS DOCUMENT CONTAINS TECHNOLOGY WHOSE EXPORT IS RESTRICTED BY THE EXPORT ADMINISTRATION REGULATIONS ("EAR") PURSUANT TO 15 C.F.R. PARTS 730-774. VIOLATIONS OF THE EAR ARE SUBJECT TO SEVERE CRIMINAL PENALTIES UNDER THE EXPORT CONTROL REFORM ACT, AS AMENDED (TITLE 50, U.S.C., SEC. 4801, ET SEQ.).

THIS DRAWING IS A CONTROLLED DOCUMENT.		DIN C.C.THOMAS 08-DEC-87	TE Connectivity	
DIMENSIONS: INCHES		CHK F.C.BALLEW 10-DEC-87	NAME AMPLIMITE PLUG FOR PIN CONTACTS	
TOLERANCES UNLESS OTHERWISE SPECIFIED:		APVD F.C.BALLEW 10-DEC-87	HI-DENSITY HD-20 CONN	
0 PLC ± -		PRODUCT SPEC	SZ 5 (50 POSN) SER 109	
1 PLC ± -		APPLICATION SPEC	SIZE CAGE CODE DRAWING NO	
2 PLC ± -		WEIGHT 0.000000	A1 00779 C=205170	
3 PLC ± .005		CUSTOMER DRAWING	SCALE 4:1 SHEET 1 of 1 REV T	
4 PLC ANGLES ± ± 0°30'				
MATERIAL SEE CALLOUTS				