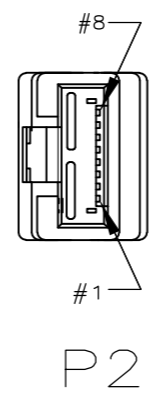
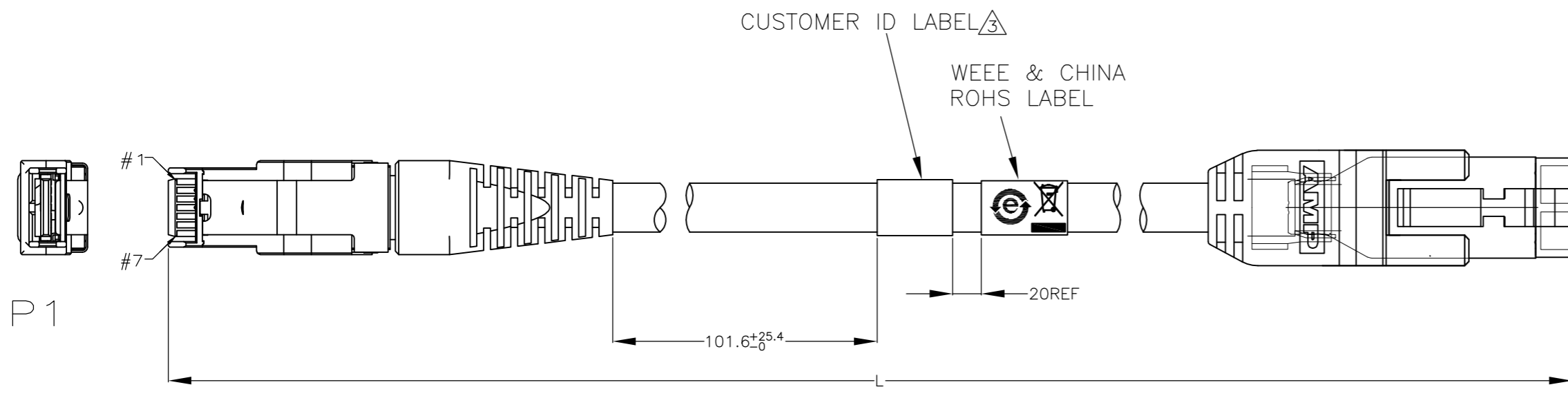


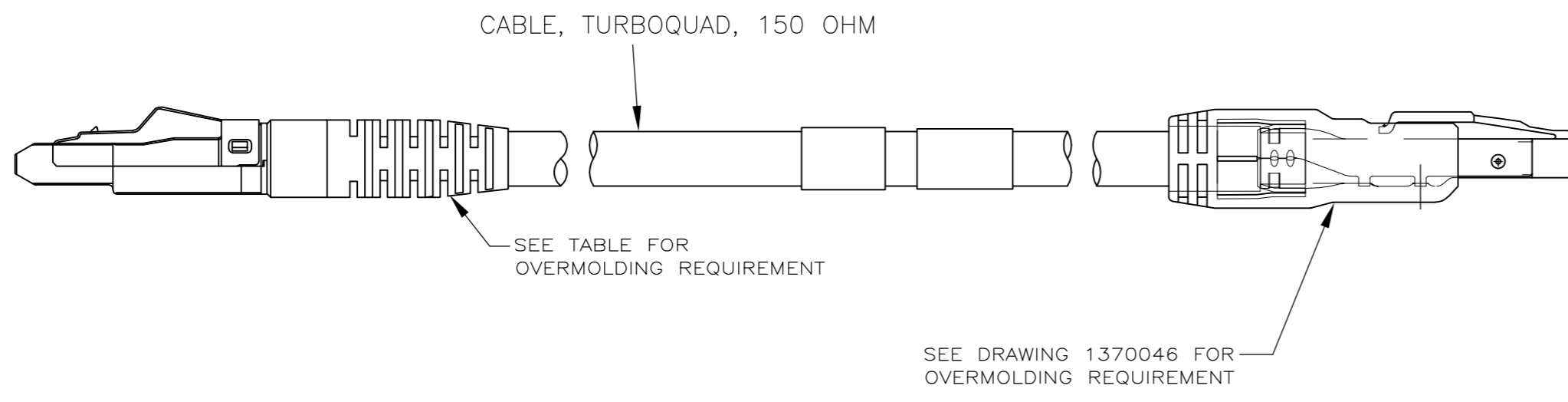
THIS DRAWING IS UNPUBLISHED. RELEASED FOR PUBLICATION
 © COPYRIGHT - TE Connectivity ALL RIGHTS RESERVED.

REVISIONS					
P	LTR	DESCRIPTION	DATE	DWN	APVD
C		ECO-17-006106	09MAY2017	TZ	KS

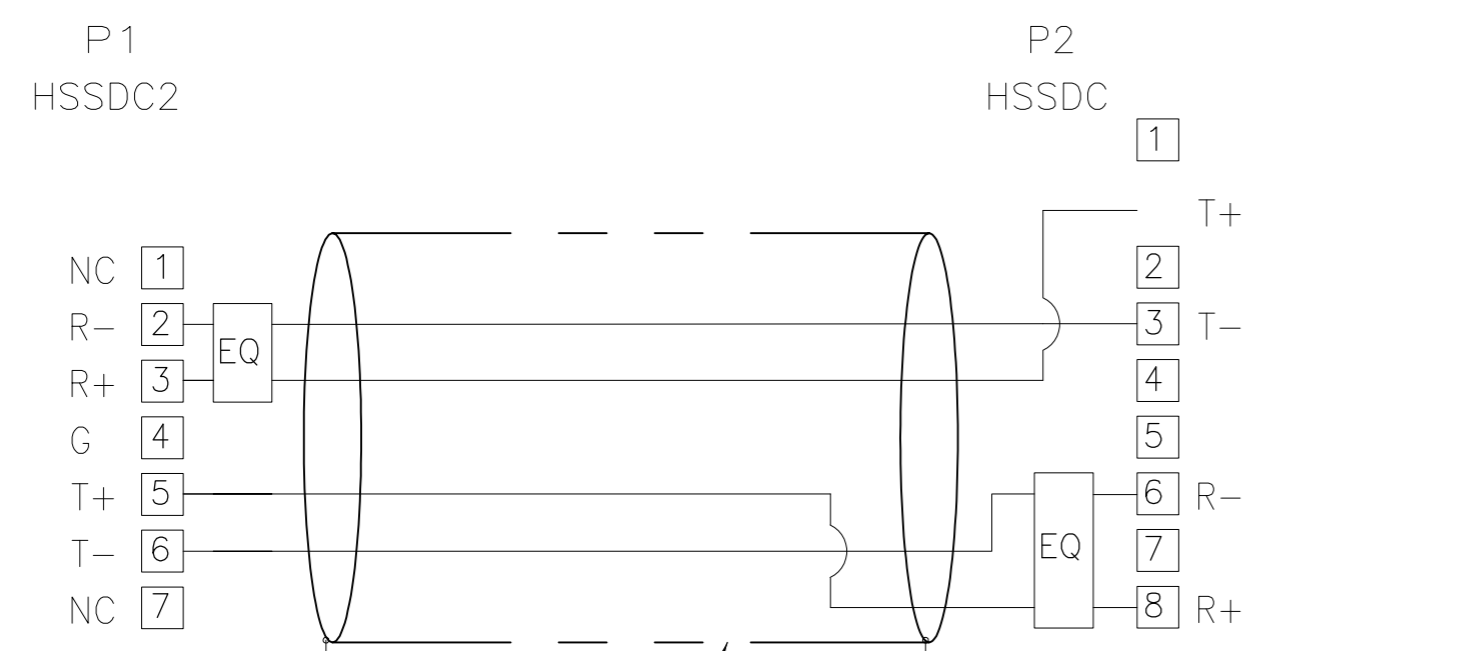


- NOTES:
- CABLE ASSEMBLY TO BE COILED, SECURED WITH TY-WRAP. MAXIMUM COIL DIAMETER SHALL BE 11.0 IN.
 - TEST CABLE ASSY FOR CONTINUITY, OPENS AND SHORTS. NO HI-POT REQUIRED.

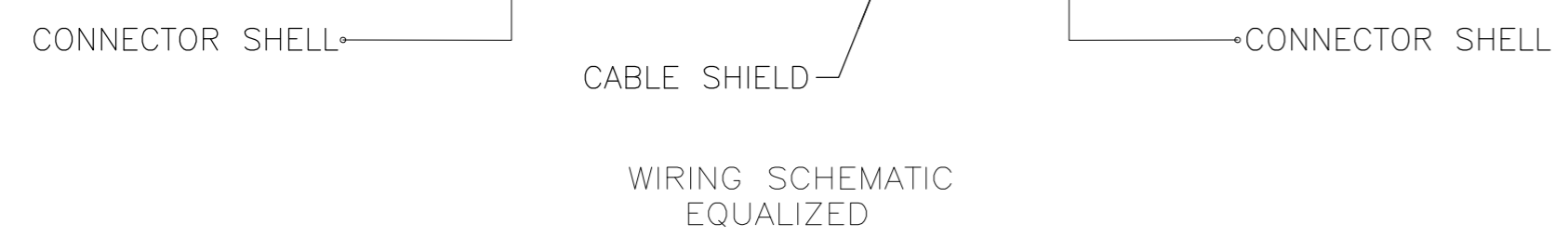
△ LABEL INFORMATION PER LABEL SPEC 118-4609.



- PACKAGE PER SPEC 107-1700.
- APPLY DUST CAP TO HSSDC2.
- PRODUCT AND PROCESSING MUST MEET TYCO ELECTRONICS STANDARD TEC-138-702.



1489002	A03	038-003-296	23 AWG	10 +/- 0.10 M	2053315-9
1489002	A03	038-003-295	23 AWG	9 +/- 0.10 M	2053315-8
1489178	A03	038-003-294	27 AWG	8 +/- 0.10 M	2053315-7
1489178	A03	038-003-293	27 AWG	7 +/- 0.05 M	2053315-6
1489178	A03	038-003-292	27 AWG	6 +/- 0.05 M	2053315-5
1489178	A03	038-003-291	27 AWG	5 +/- 0.05 M	2053315-4
1489178	A03	038-003-290	27 AWG	4 +/- 0.04 M	2053315-3
1489178	A03	038-003-289	27 AWG	2 +/- 0.025 M	2053315-2
1489178	A03	038-003-288	27 AWG	1 +/- 0.025 M	2053315-1
HSSDC2 OVERMOLD	CUSTOMER REV	CUSTOMER P/N	CABLE SIZE	L	TE P/N



THIS DRAWING IS A CONTROLLED DOCUMENT.		DWN Eddie, Wang 10JUN08			
DIMENSIONS: mm [INCHES]		CHK Tran, Mailoan 10JUN08			
TOLERANCES UNLESS OTHERWISE SPECIFIED:		APVD Tran, Mailoan 10JUN08	NAME CABLE ASSY, HSSDC TO HSSDC2 FIBRE CHANNEL, 2.125 Gbps, 150 OHM		
0 PLC ± - 1 PLC ± - 2 PLC ± - 3 PLC ± - 4 PLC ± - ANGLES ± -		PRODUCT SPEC -	SIZE A2		
MATERIAL -		FINISH -	APPLICATION SPEC -	CAGE CODE 00779	DRAWING NO C=2053315
		WEIGHT 0	RESTRICTED TO -	SCALE N.T.S.	SHEET 1 of 1
		CUSTOMER DRAWING	REV C		