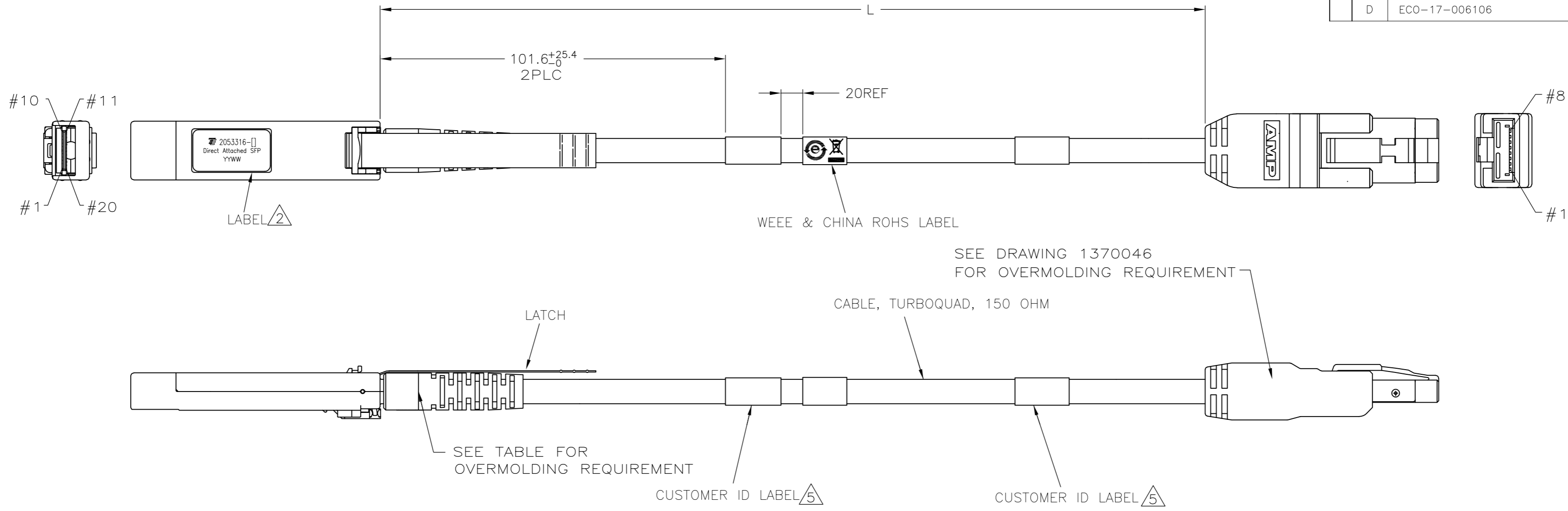


THIS DRAWING IS UNPUBLISHED. RELEASED FOR PUBLICATION  
 © COPYRIGHT - TE Connectivity ALL RIGHTS RESERVED.

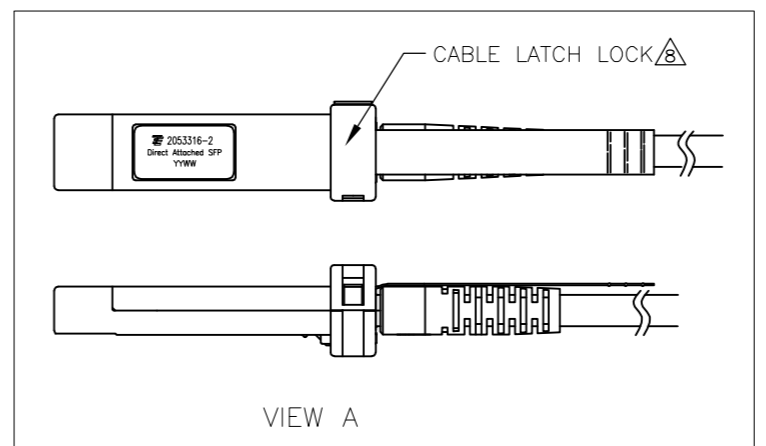
REVISIONS					
P	LTR	DESCRIPTION	DATE	DWN	APVD
D		ECO-17-006106	09MAY2017	TZ	KS



1. CABLE ASSEMBLY TO BE COILED, SECURE WITH TY-WRAP. MAXIMUM COIL DIAMETER TO BE 11.0 INCHES.

2 LABEL INFORMATION:

2053316-[ ]	DATE CODE
DIRECT ATTACHED SFP	
YYWW	



3. SEE SHEET #2 FOR WIRING SCHEMATIC.  
 4. PROGRAM EEPROM PER TE DRAWING 7-1653161-2.

5 LABEL INFORMATION:

038-XXX-XXX	CUSTOMER P/N
REV AXX "L" M	CUSTOMER REV & CABLE LENGTH
SSSXXYYWWXXNNN	BAR CODE
MADE IN _____	COUNTRY OF ORIGIN

SERIAL NUMBER  
 SSS=SUPPLIER ID  
 XX...XX=LAST 4 DIGITS OF CUSTOMER P/N  
 (FROM THE "X-XXX" OF 038-00X-XXX)  
 YYWW=SUPPLIER DATE CODE  
 NNN=INSTANCE IDENTIFIER (ALPHA-NUMERIC)

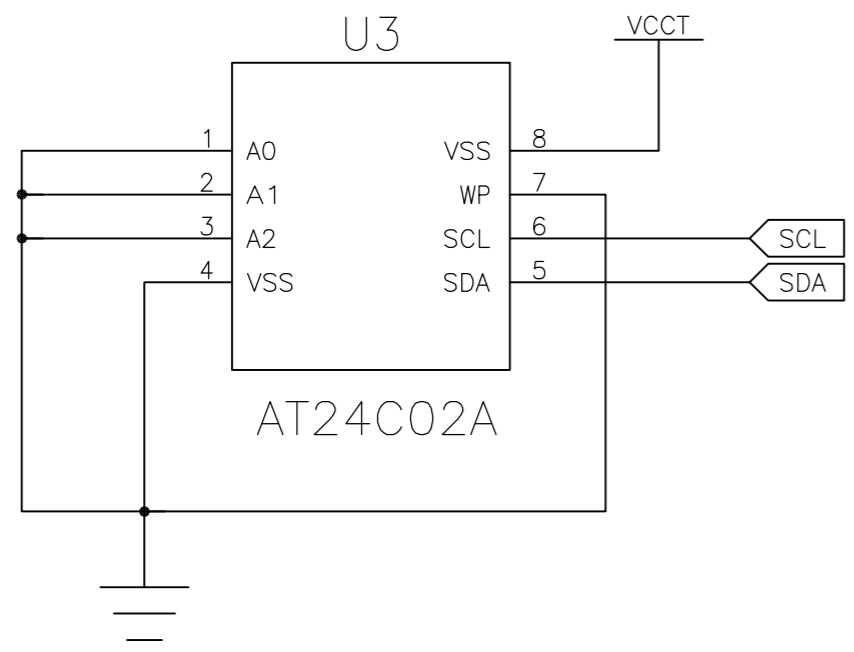
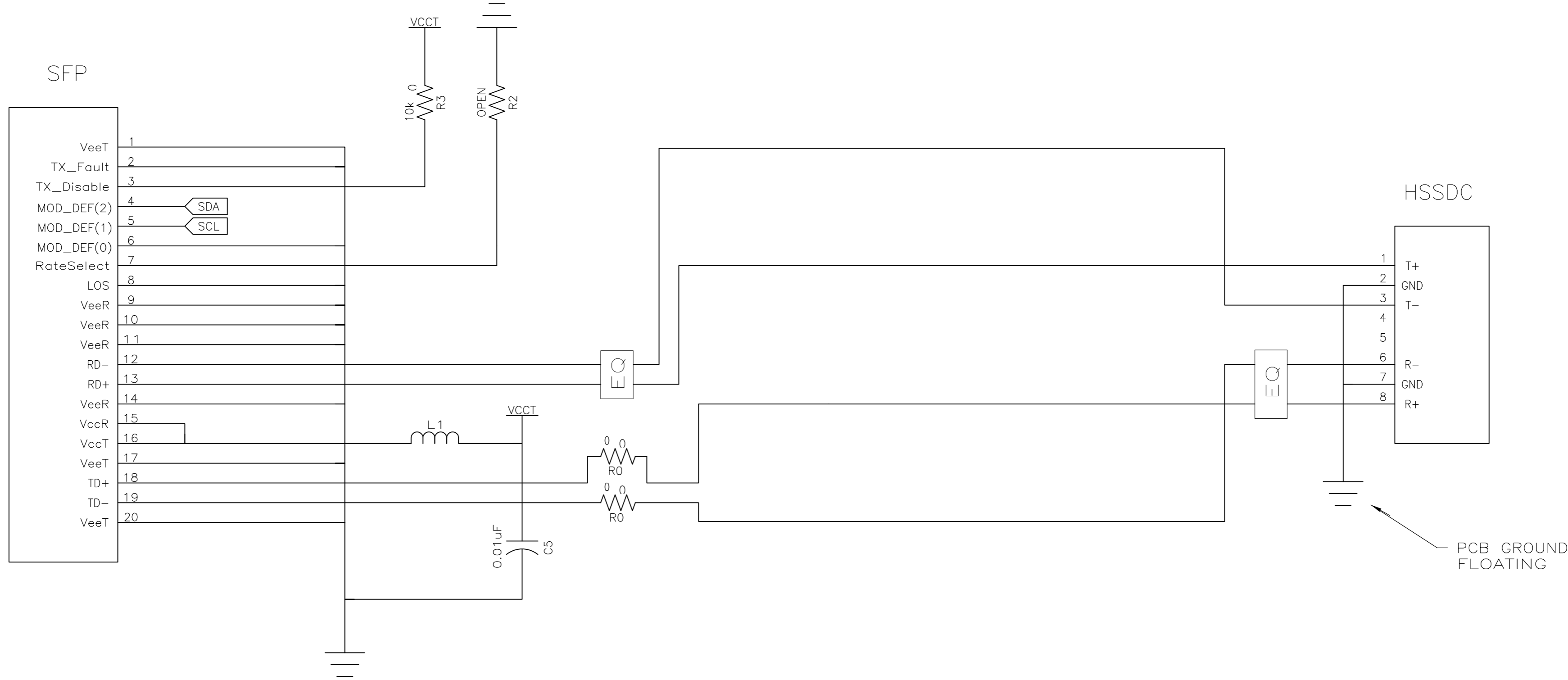
6. TEST CABLE ASSEMBLY FOR CONTINUITY, OPENS, SHORTS AND SIGNAL INTEGRITY. NO HI-POT REQUIRED.  
 7. PRODUCT AND PROCESSING MUST MEET TYCO ELECTRONICS STANDARD TEC-138-702.  
 8. APPLY CABLE LATCH LOCK FOR 2053316-2, SEE VIEW A.  
 9. APPLY SFP DUST CAP TO SFP CONNECTOR.

23	1713999-1	A03	038-003-389	15±0.076	2053316-6
23	1713999-1	A03	038-003-388	12±0.076	2053316-5
23	1713999-1	A03	038-003-515	10±0.076	2053316-4
27	1434842-1	A03	038-003-386	8±0.076	2053316-3
27	1434842-1	A04	038-003-381	6±0.05	2053316-2
27	1434842-1	A03	038-003-385	2.5±0.025	2053316-1
WIRE AWG	SFP OVERMOLD	CUSTOMER REV	CUSTOMER P/N	L(METER)	TE P/N

THIS DRAWING IS A CONTROLLED DOCUMENT.		DWN	Eddie, Wang	11JUN08		TE Connectivity		
DIMENSIONS: mm [INCHES]		CHK	Tran, Mailon	11JUN08		NAME		
TOLERANCES UNLESS OTHERWISE SPECIFIED:		APVD	Tran, Mailon	11JUN08		CABLE ASSY,DIRECT ATTACH SFP TO HSSDC, 2.125 Gbps, 150 OHM		
0 PLC ± -		PRODUCT SPEC	APPLICATION SPEC			SIZE	A2	
1 PLC ± -		WEIGHT		0	CAGE CODE	00779	DRAWING NO	
2 PLC ± -		CUSTOMER DRAWING		SCALE		N.T.S.	SHEET	
3 PLC ± -		FINISH		-	C=2053316		1 OF 2	
4 PLC ± -		MATERIAL		-	REV		D	
ANGLES ± -		REVISIONS		RESTRICTED TO				

THIS DRAWING IS UNPUBLISHED. RELEASED FOR PUBLICATION  
 © COPYRIGHT - TE Connectivity ALL RIGHTS RESERVED.

REVISIONS				
P	LTR	DESCRIPTION	DATE	APVD
-	-	SEE SHEET 1	-	-



THIS DRAWING IS A CONTROLLED DOCUMENT.		DWN Eddie, Wang 11JUN08		
DIMENSIONS: mm [INCHES]		CHK Tran, Mailon 11JUN08		
TOLERANCES UNLESS OTHERWISE SPECIFIED:		APVD Tran, Mailon 11JUN08	NAME CABLE ASSY,DIRECT ATTACH SFP TO HSSDC, 2.125 Gbps, 150 OHM	
0 PLC ± - 1 PLC ± - 2 PLC ± - 3 PLC ± - 4 PLC ± - ANGLES ± -		PRODUCT SPEC -	RESTRICTED TO -	
MATERIAL -		FINISH -	WEIGHT 0	SCALE N.T.S.
		CUSTOMER DRAWING	SIZE A2	SHEET 2 OF 2
			DRAWING NO 00779	REV D
			CAGE CODE C=2053316	