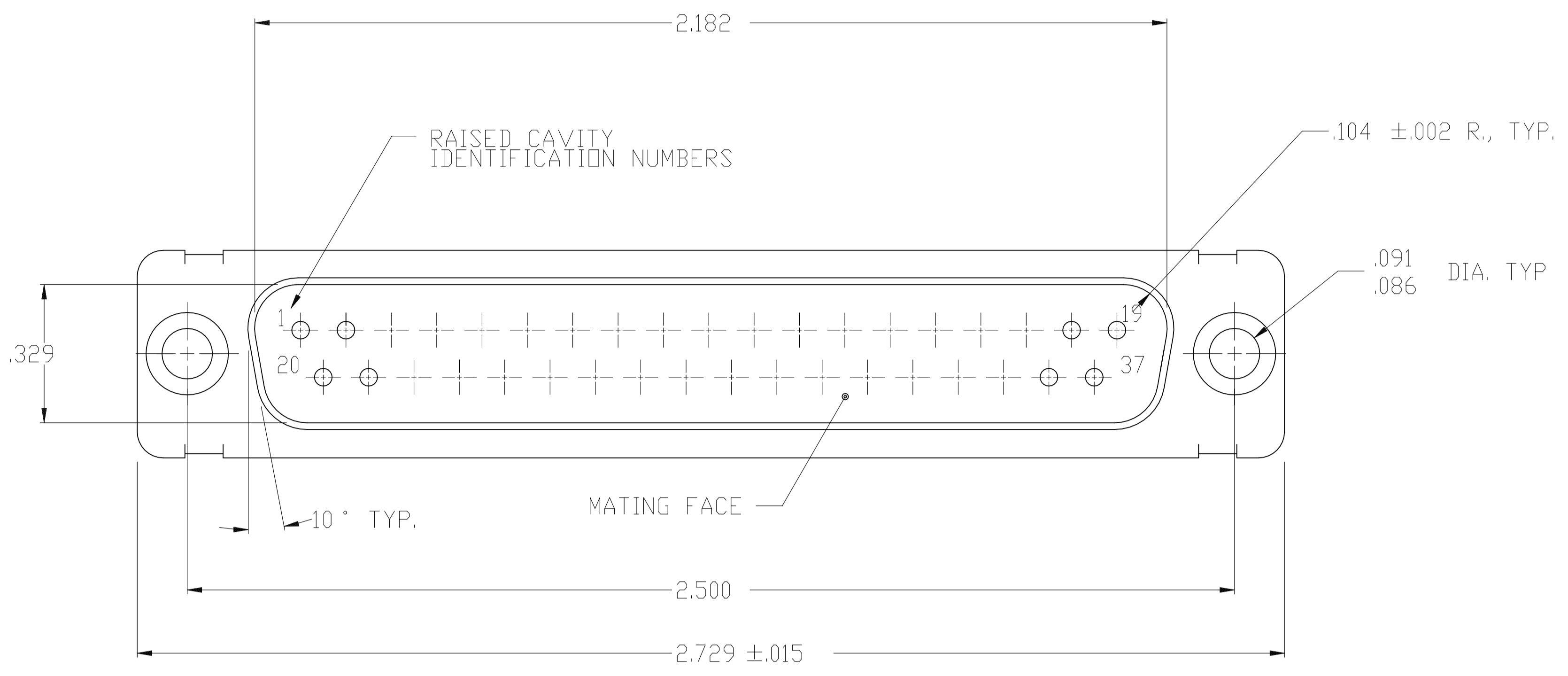
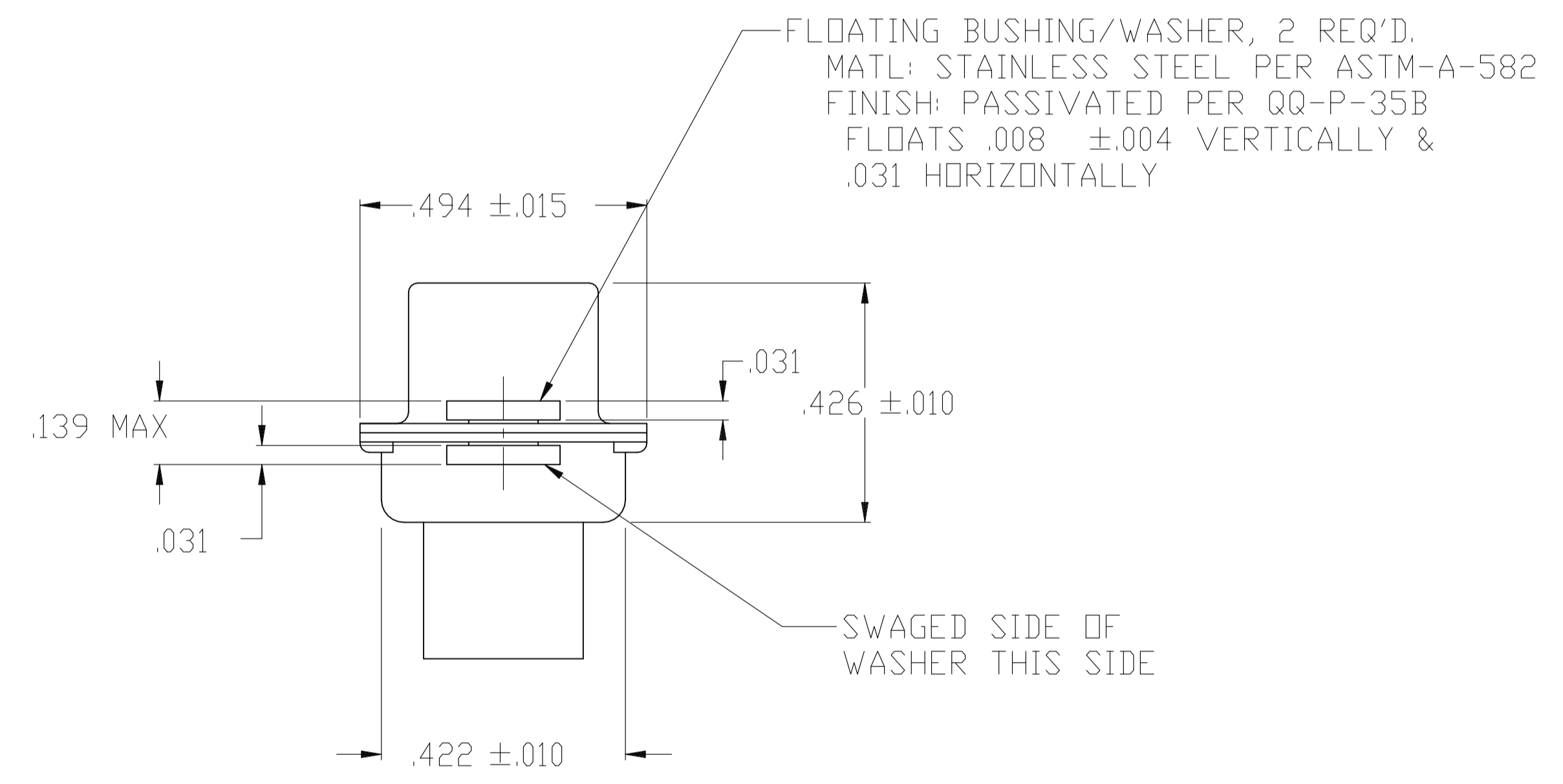
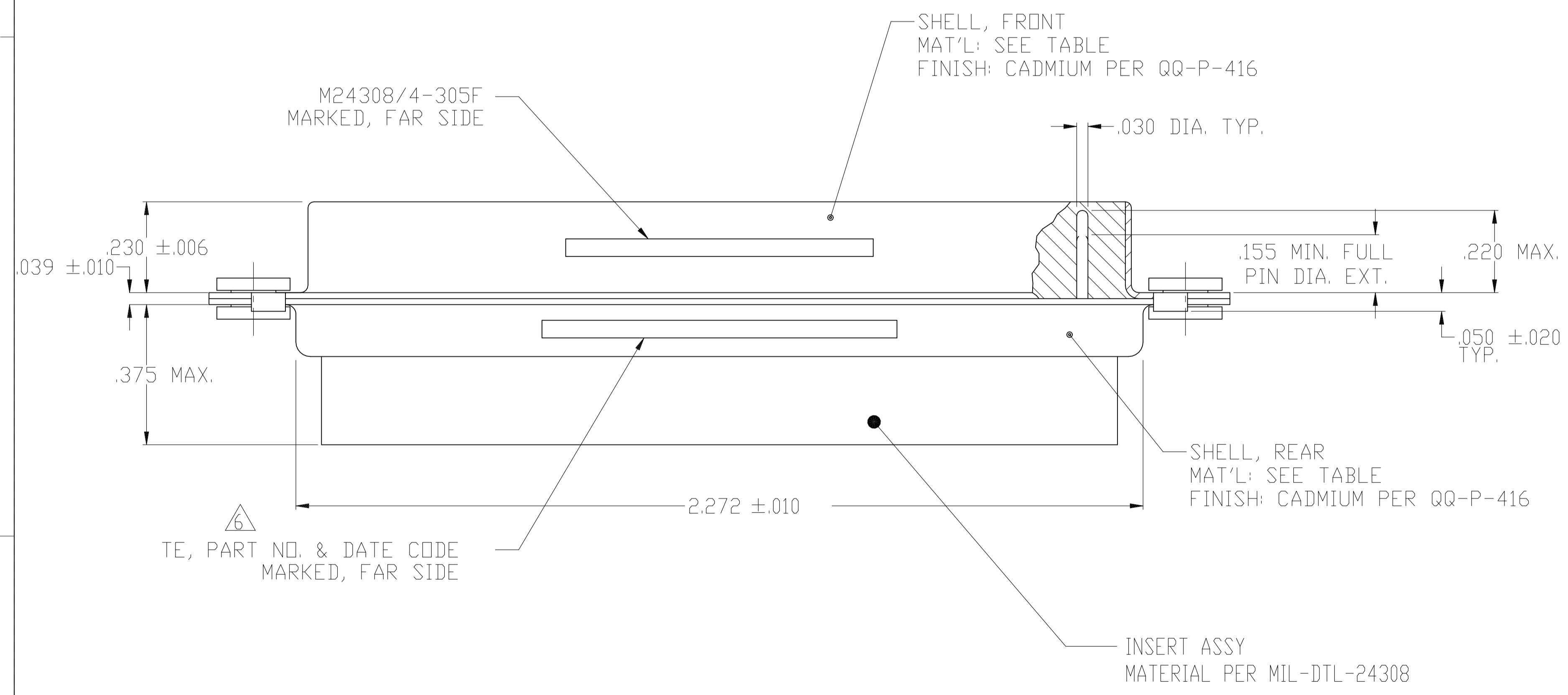


REVISIONS					
P	LTR	DESCRIPTION	DATE	DN	APVD
P		REVISED PER ECN-24-266264	15MAY2024	PP	DS



1. THIS PLUG IS DESIGNED TO CONFORM TO THE LATEST ISSUE OF MIL-C-24308
2. MAX WIRE INSUL. TO BE USED WITH THIS PLUG IS .068 DIA.
3. STAINLESS STEEL RETENTION CLIPS ARE INCLUDED IN INSERTS.
4. PACKAGE STAMPED M 24308/4-327F.
5. THIS PLUG WILL ACCEPT SIZE 20 PIN CONTACT M24308/11 OR AMP # 205089
6. TE PART NO. STAMPED ON CONNECTOR REPRESENTS KIT NUMBER WITH CONTACTS



WARNING - THIS DOCUMENT CONTAINS TECHNOLOGY WHOSE EXPORT IS RESTRICTED BY THE EXPORT ADMINISTRATION REGULATIONS ("EAR") PURSUANT TO 15 C.F.R. PARTS 730-774. VIOLATIONS OF THE EAR ARE SUBJECT TO SEVERE CRIMINAL PENALTIES UNDER THE EXPORT CONTROL REFORM ACT, AS AMENDED (TITLE 50, U.S.C., SEC. 4801, ET SEQ.).

OBSOLETE	BRASS	205414-2
	STEEL PER ASTM-A-109	205414-1
	SHELL MAT'L	TE PART NO

THIS DRAWING IS A CONTROLLED DOCUMENT.		DIN C.C.THOMAS 12-SEP-87	TE Connectivity	
DIMENSIONS: INCHES		CHK F.C.BALLEW III 12-OCT-87	NAME PLUG ASSY., AMPLIMITE, 37 POSN., SIZE 4, SERIES 109.W/DUAL FLOATING BUSHINGS	
TOLERANCES UNLESS OTHERWISE SPECIFIED:		APP'D D.J.M. 12-OCT-87	PRODUCT SPEC	
0. PLC ± -		APPLICATION SPEC		
1. PLC ± -		SIZE		
2. PLC ± -		CAGE CODE		
3. PLC ± .005		DRAWING NO		
4. PLC ± -		RESTRICTED TO		
ANGLES ± 0°30'		WEIGHT 0.000000		
MATERIAL		A1 00779 C=205414		
FINISH		CUSTOMER DRAWING		
		SCALE 1:1 SHEET 1 of 1 REV P		