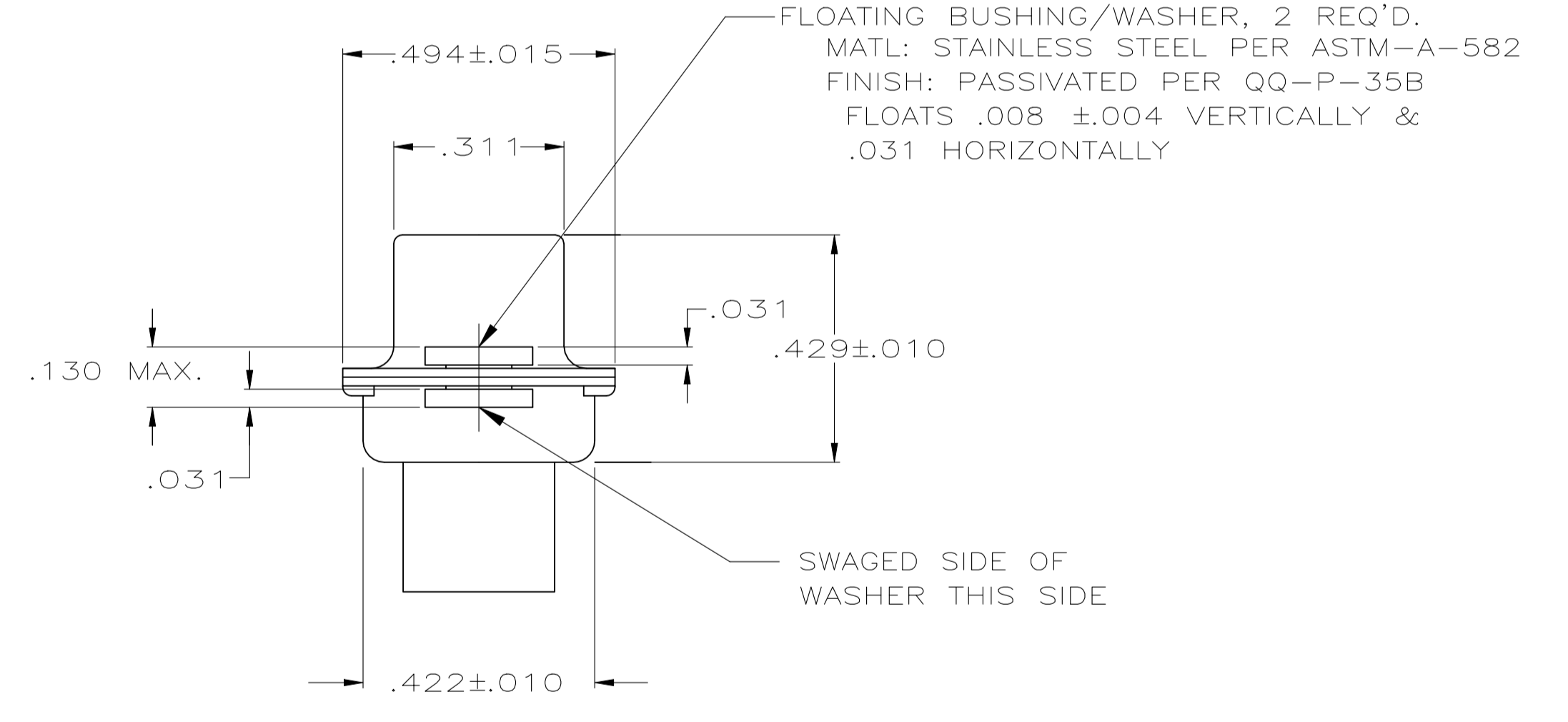
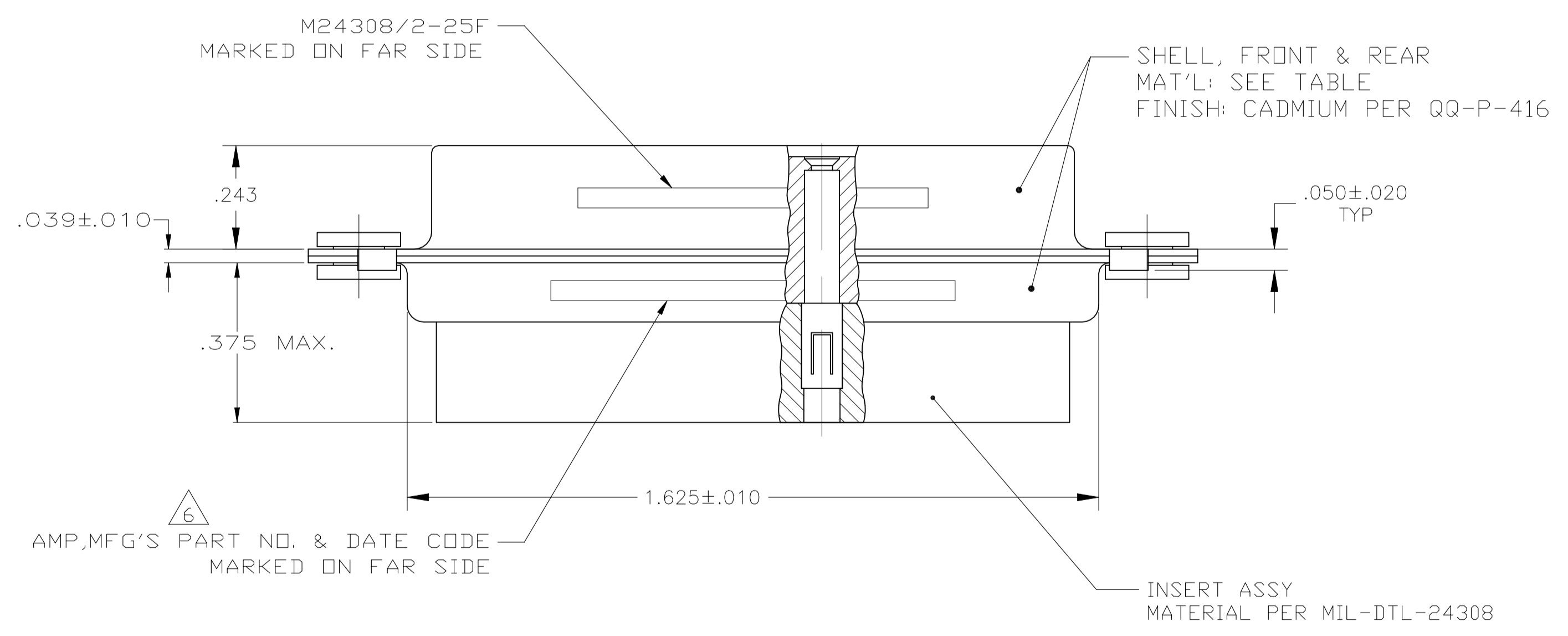
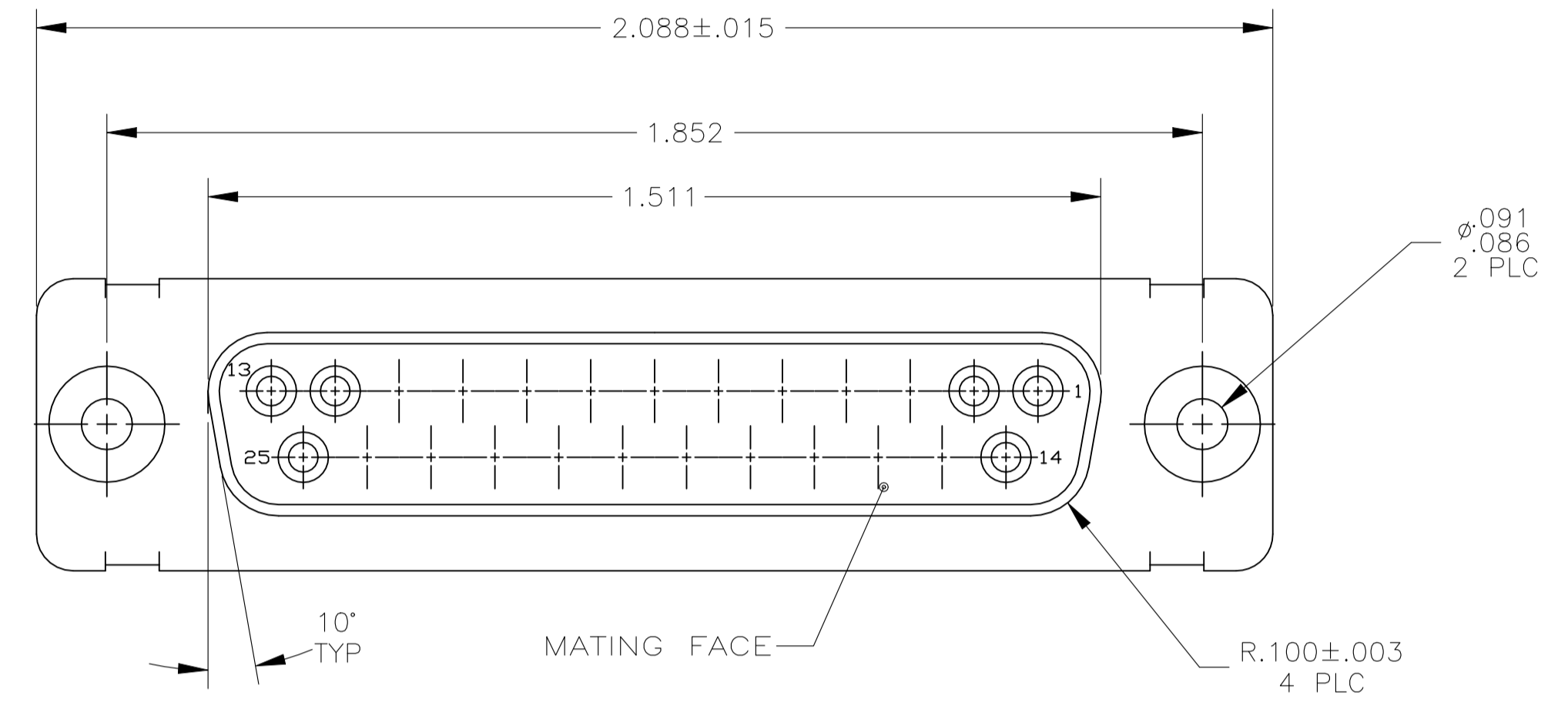


| REVISIONS | | | | | |
|-----------|-----|---------------------------|-----------|-----|------|
| P | LTR | DESCRIPTION | DATE | DWN | APVD |
| R | | REVISED PER ECN-24-266843 | 20MAY2024 | PP | DS |



- THIS RCPT. IS DESIGNED TO CONFORM TO THE LATEST ISSUE OF MIL-C-24308
 - MAX WIRE INSUL TO BE USED WITH THIS RCPT IS $.068$ DIA
 - STAINLESS STEEL RETENTION CLIPS ARE INCLUDED IN INSERTS
 - PACKAGE STAMPED M24308/2-294F
 - THIS RCPT. WILL ACCEPT SIZE 20 SOCKET CONTACT M24308/10 DR TE # 205090
- △ MFG'S PART NO. STAMPED ON CONNECTOR REPRESENTS KIT NUMBER WITH CONTACTS

WARNING - THIS DOCUMENT CONTAINS TECHNOLOGY WHOSE EXPORT IS RESTRICTED BY THE EXPORT ADMINISTRATION REGULATIONS ("EAR") PURSUANT TO 15 C.F.R. PARTS 730-774. VIOLATIONS OF THE EAR ARE SUBJECT TO SEVERE CRIMINAL PENALTIES UNDER THE EXPORT CONTROL REFORM ACT, AS AMENDED (TITLE 50, U.S.C., SEC. 4801, ET SEQ.).

| | | |
|----------|----------------------|----------|
| OBSOLETE | BRASS | 205418-2 |
| | STEEL PER ASTM-A-109 | 205418-1 |
| | SHELL MATERIAL | PART NO. |

STE TE Connectivity

| | | | |
|--|--|----------------------|--|
| THIS DRAWING IS A CONTROLLED DOCUMENT. | DIN C.C.THOMAS 6-4-09 | APVD R. LEASE 6-4-09 | NAME |
| DIMENSIONS: INCHES | TOLERANCES UNLESS OTHERWISE SPECIFIED: | APPLICATION SPEC | ROPT. ASSY. AMPLIMITE, 25 POSN., SIZE 3, SERIES 109.W/DUAL FLOATING BUSHINGS |
| 0 PLC ± - | 1 PLC ± - | 2 PLC ± - | 3 PLC ± .005 |
| 4 PLC ± - | ANGLES ± 0'30" | WEIGHT 0.000000 | RESTRICTED TO |
| MATERIAL SEE CALLOUTS | FINISH SEE CALLOUTS | SCALE 4:1 | SHEET 1 of 1 REV R |

CUSTOMER DRAWING