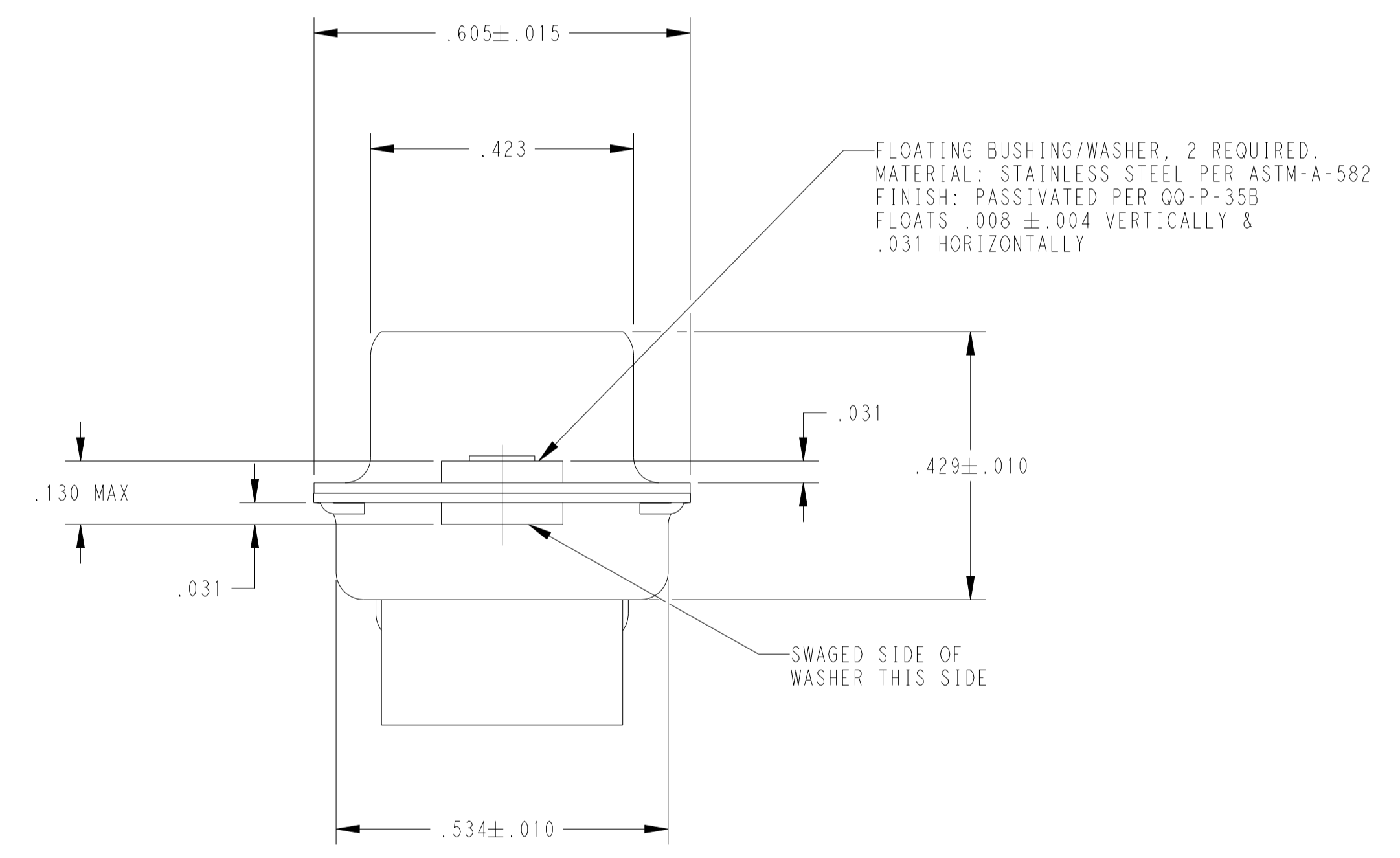
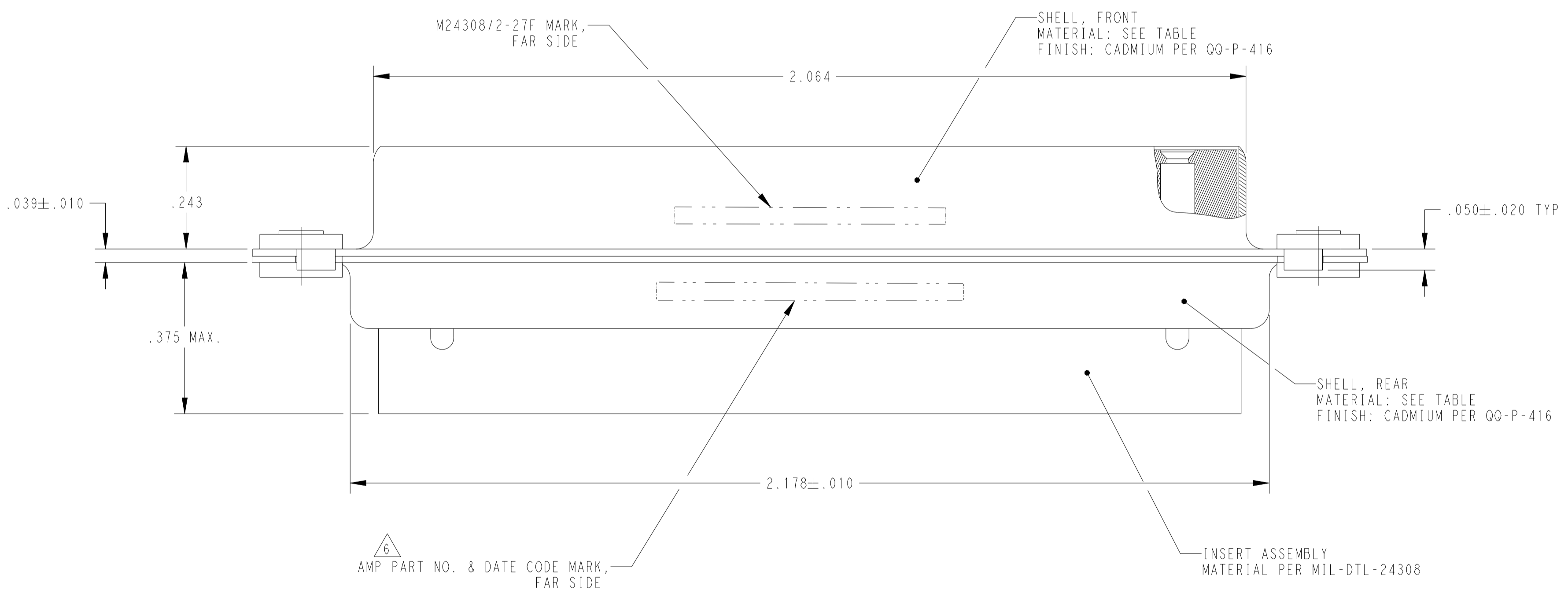
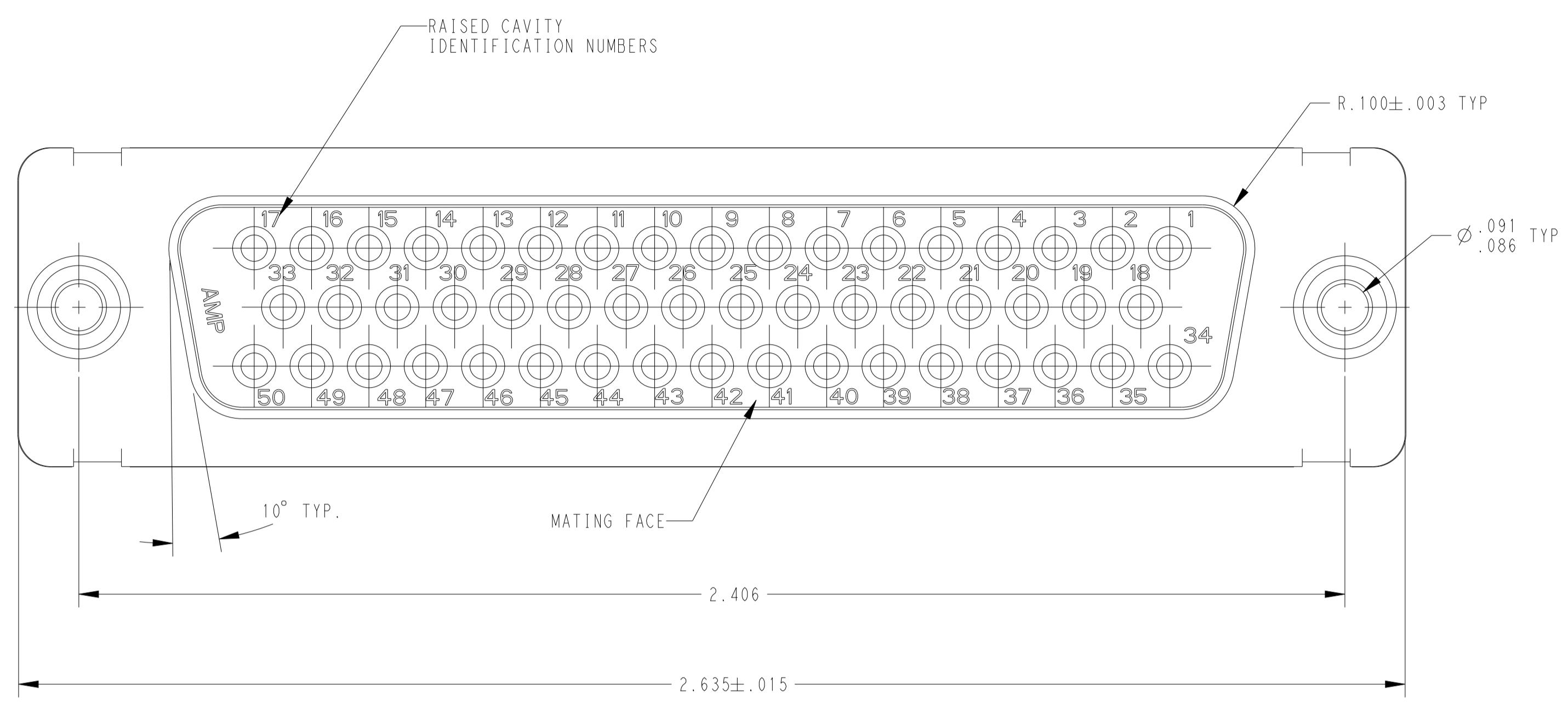


REVISIONS				
P	LTN	DESCRIPTION	DATE	APVD
M		REV PER ECO 15-016062	5-17	KG CD
N		REVISED PER ECN-24-282132	29AUG2024	PP DS

WARNING - THIS DOCUMENT CONTAINS TECHNOLOGY WHOSE EXPORT IS RESTRICTED BY THE EXPORT ADMINISTRATION REGULATIONS ("EAR") PURSUANT TO 15 C.F.R. PARTS 730-774. VIOLATIONS OF THE EAR ARE SUBJECT TO SEVERE CRIMINAL PENALTIES UNDER THE EXPORT CONTROL REFORM ACT, AS AMENDED (TITLE 50, U.S.C., SEC. 4801, ET SEQ.).



- THIS RCPT. IS DESIGNED TO CONFORM TO THE LATEST ISSUE OF MIL-C-24308.
 - MAX WIRE INSUL TO BE USED WITH THIS RCPT IS Ø.068.
 - STAINLESS STEEL RETENTION CLIPS ARE INCLUDED IN INSERTS.
 - PACKAGE STAMPED M24308/2-296F.
 - THIS RCPT. WILL ACCEPT SIZE 20 SOCKET CONTACT M24308/10 OR AMP #205090.
- △ AMP PART NO. STAMPED ON CONNECTOR REPRESENTS KIT NUMBER WITH CONTACTS.

OBsolete	BRASS	205420-2
	STEEL PER ASTM-A-109	205420-1
	SHELL MATERIAL	PART NUMBER

THIS DRAWING IS A CONTROLLED DOCUMENT.

DIMENSIONS: INCHES	TOLERANCES UNLESS OTHERWISE SPECIFIED:	OWN: P. PACHAIYAPPAN	DATE: 27AUG2024
0 PLC ±	1 PLC ±	CHK: J. PARKE	
2 PLC ±	3 PLC ±.005	APVD: D. SHIMMEL	
4 PLC ±	ANGLES: ±40°/30°	PRODUCT SPEC	
MATERIAL: SEE CALLOUTS	FINISH: SEE CALLOUTS	APPLICATION SPEC	
		WEIGHT	
		CUSTOMER DRAWING	

NAME: RCPT. ASSY., AMPLIMITE, 50 POSN., SZ 5 SERIES 109, W/DUAL FLOATING BUSHINGS

SIZE: A | CAGE CODE: 00779 | DRAWING NO: 205420 | RESTRICTED TO: N

SCALE: 5:1 | SHEET: 1 OF 1 | REV: N