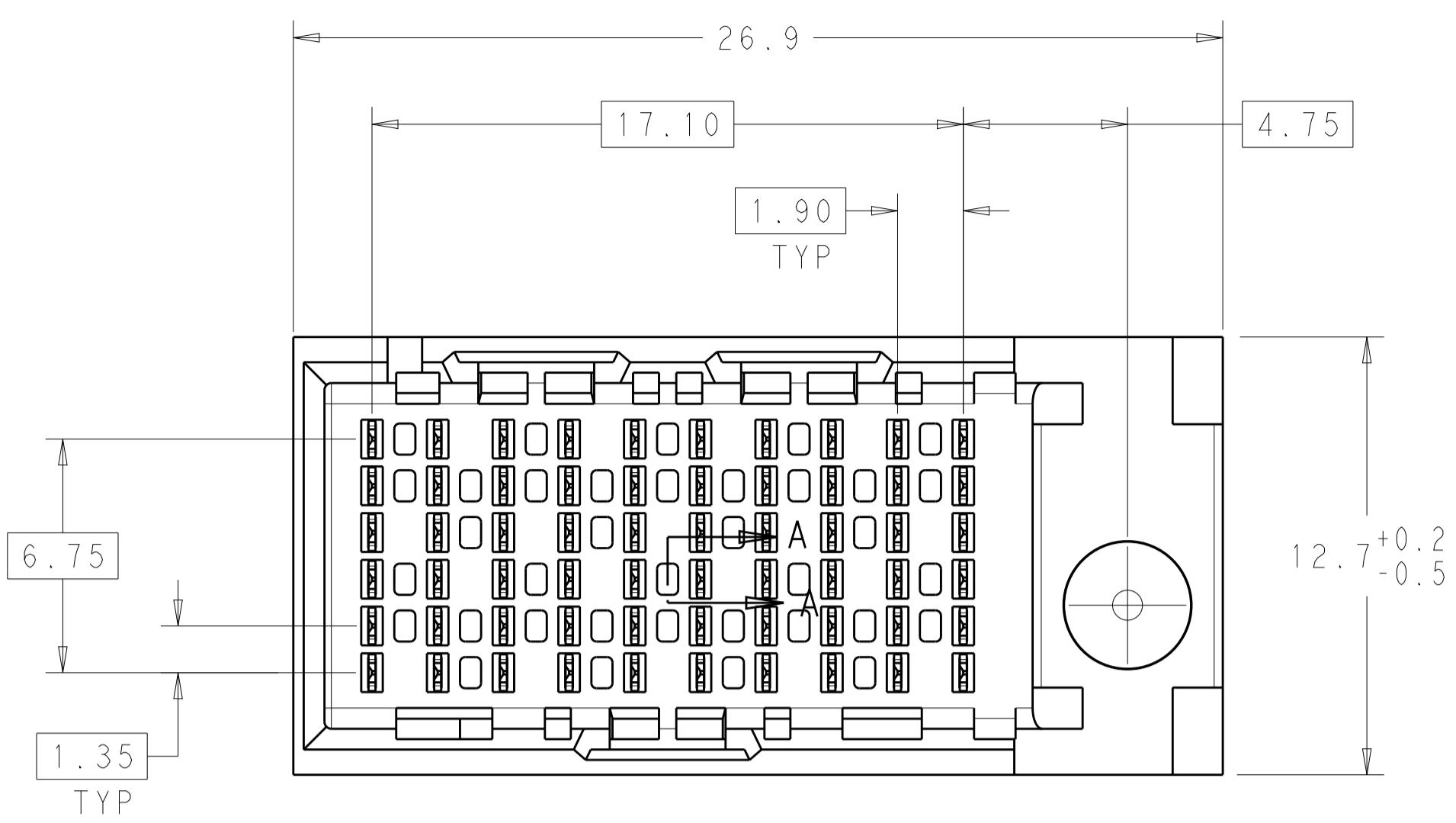
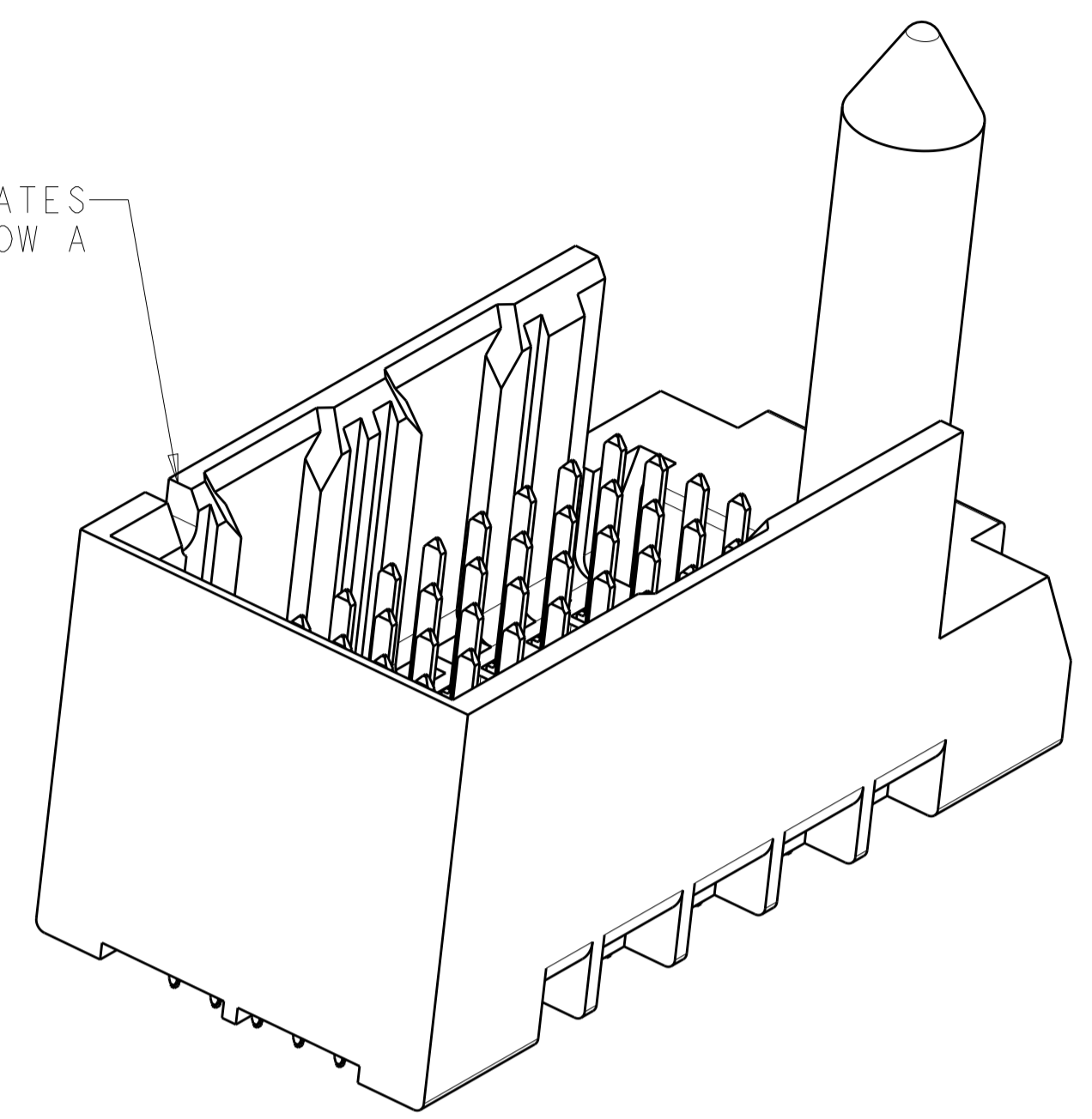


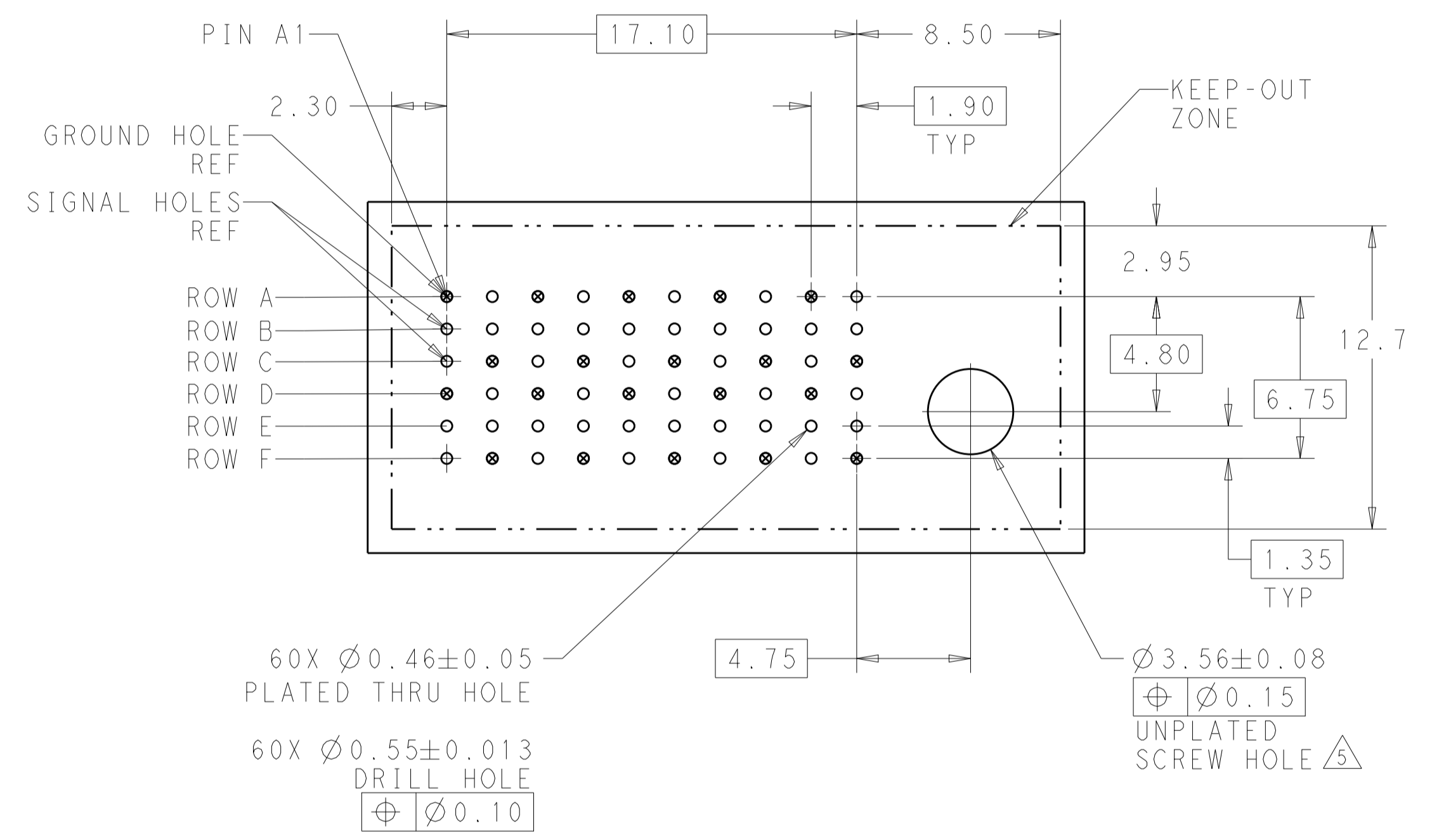
REVISIONS				
P.	LTN.	DESCRIPTION	DATE	DWN. APVD.
C1		REVISED PER ECO-15-003239	24MAR2015	AP DD



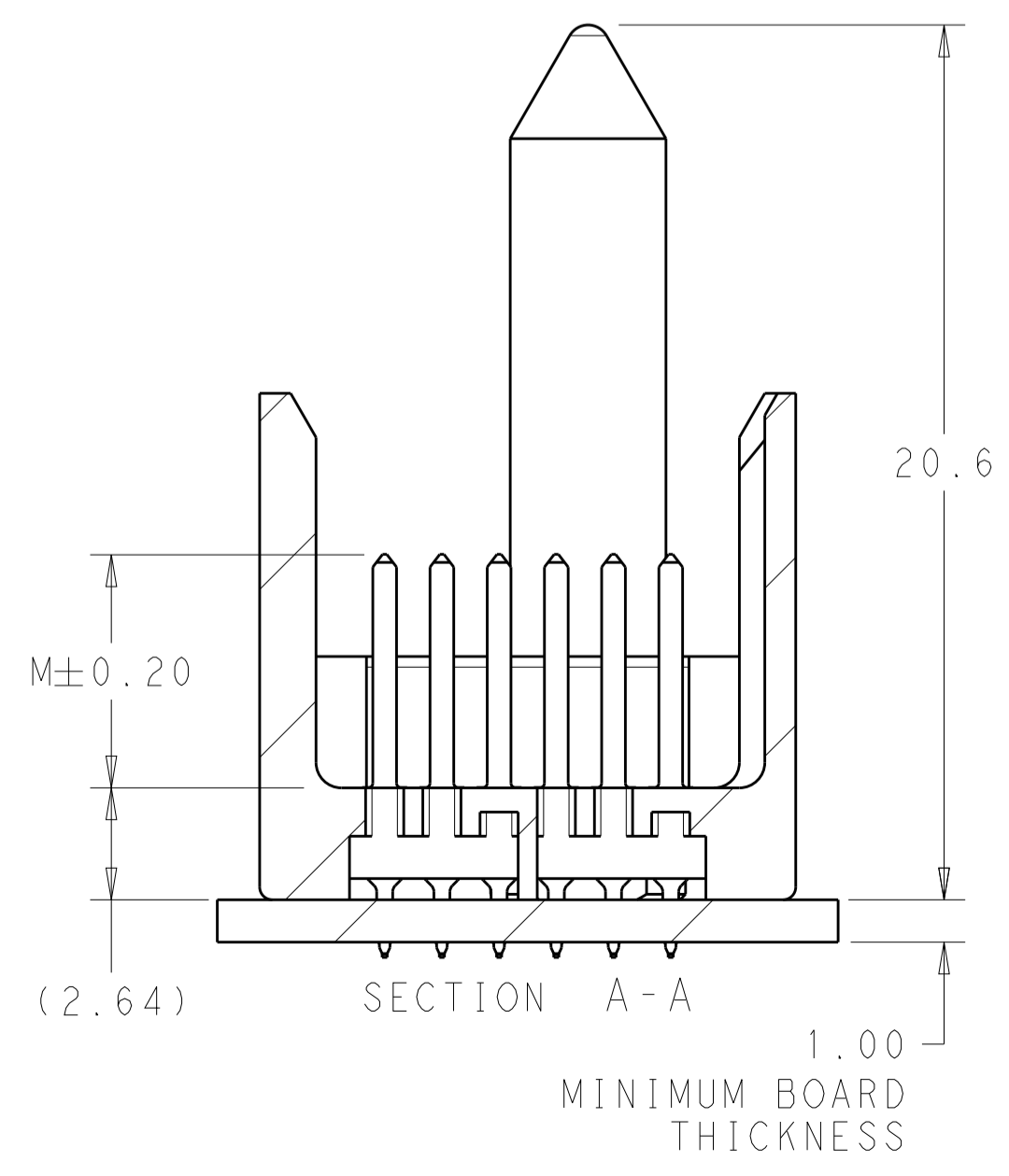
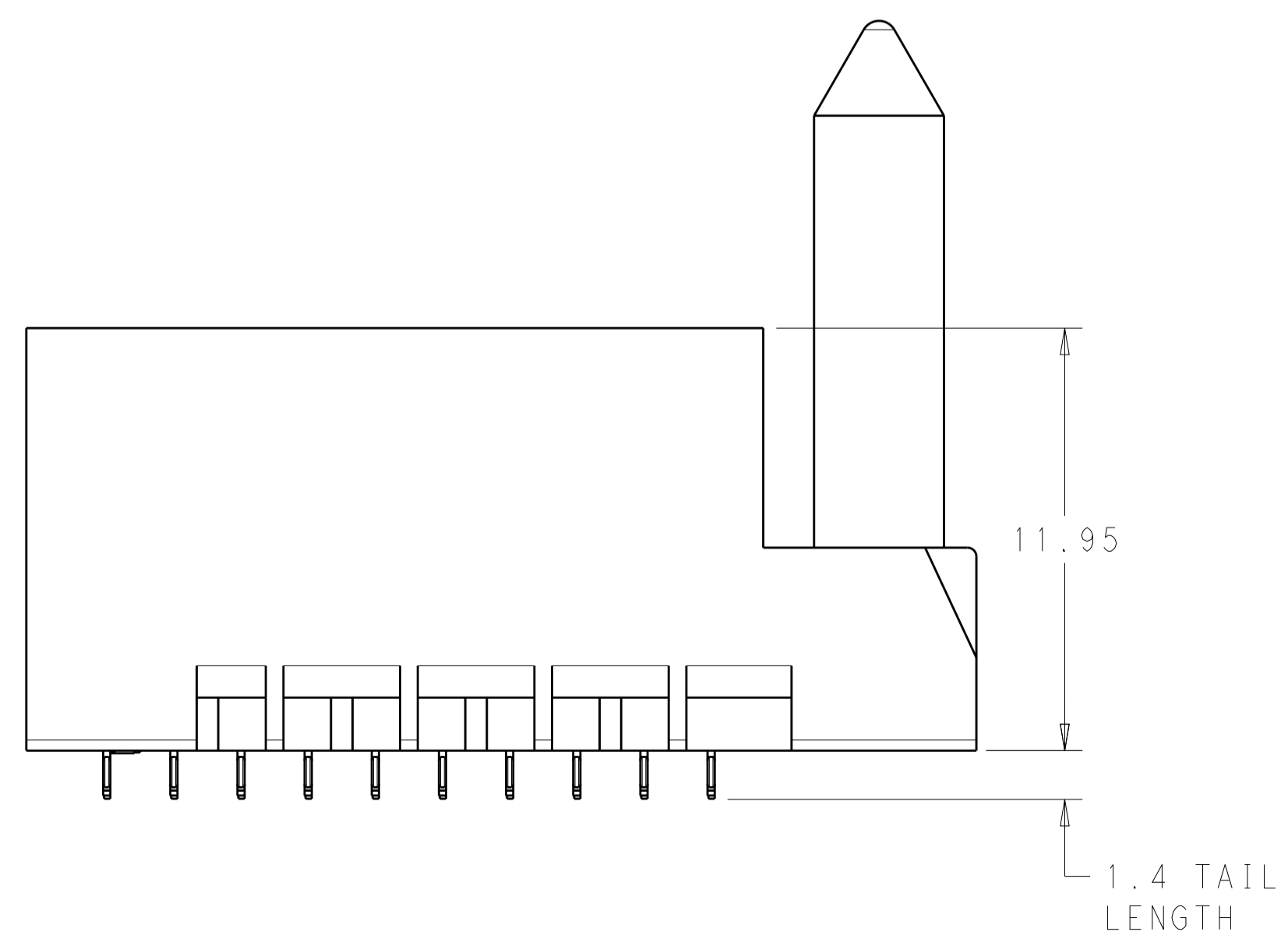
NOTCH DESIGNATES ROW A



- ⚠ MATERIAL:
HOUSING: LCP, GLASS FILLED, UL94V-0.
TERMINALS: HIGH PERFORMANCE COPPER ALLOY.
- ⚠ FINISH:
30μ" MIN GOLD IN CONTACT AREA. SELECTIVE TIN ON PCB TAILS, NICKEL OVERALL.
- ⚠ FINISH:
30μ" MIN GOLD IN CONTACT AREA. SELECTIVE TIN-LEAD ON PCB TAILS, NICKEL OVERALL.
- 4. SCREWS PACKAGED IN END OF PACKAGING TUBE.
- ⚠ FOR GROUNDED GUIDE PIN USE Ø3.56±0.08 PTH, Ø3.66 DRILL, AND Ø6.5 PAD.



RIGHT GUIDED BACKPLANE HOLE PATTERN (CONNECTOR SIDE)



THIS DRAWING IS A CONTROLLED DOCUMENT.		DWN. R. COELLO 27APR2011	TE Connectivity
DIMENSIONS: mm		CHK. J. EARY 27APR2011	
TOLERANCES UNLESS OTHERWISE SPECIFIED:		APVD. J. EARY 27APR2011	NAME: IMPACT, 2 PAIR, 10 COLUMN, HEADER
0 PLC	±	PRODUCT SPEC	RIGHT GUIDED, LEFT END WALL
1 PLC	±0.25	APPLICATION SPEC	SIGNAL MODULE, 0.46 PTH
2 PLC	±0.13	SIZE	CAGE CODE DRAWING NO
3 PLC	±	WEIGHT	A100779C=2057424
4 PLC	±	Customer Drawing	RESTRICTED TO
ANGLES	±	SCALE	6:1
FINISH	SEE TABLE	SHEET	1 OF 2
		REV	C1

THIS DRAWING IS UNPUBLISHED. RELEASED FOR PUBLICATION 20
 © COPYRIGHT 20 BY - ALL RIGHTS RESERVED.

REVISIONS					
P.	LTN	DESCRIPTION	DATE	DMN	APVD
-	-	SEE SHEET 1	-	-	-

FINISH	DIM M	PART NUMBER
△3	5.5	2057424-6
△3	4.9	2057424-5
△3	4.5	2057424-4
△2	5.5	2057424-3
△2	4.9	2057424-2
△2	4.5	2057424-1

REFER TO WWW.TE.COM
 FOR PRODUCT AVAILABILITY

THIS DRAWING IS A CONTROLLED DOCUMENT.		DMN R. COELLO 27APR2011	
		CHK J. EARY 27APR2011	
DIMENSIONS:		APVD J. EARY 27APR2011	NAME
mm	TOLERANCES UNLESS OTHERWISE SPECIFIED:	PRODUCT SPEC	IMPACT, 2 PAIR, 10 COLUMN, HEADER
0 PLC ±	0 PLC ±0.25	APPLICATION SPEC	RIGHT GUIDED, LEFT END WALL
1 PLC ±0.13	1 PLC ±	FINISH	SIGNAL MODULE, 0.46 PTH
2 PLC ±	2 PLC ±	WEIGHT	SIZE CAGE CODE DRAWING NO
3 PLC ±	3 PLC ±	Customer Drawing	A100779C=2057424
4 PLC ±	4 PLC ±	SCALE	5:1
ANGLES	ANGLES	SHEET	2 OF 2
FINISH	SEE TABLE	REV	C1