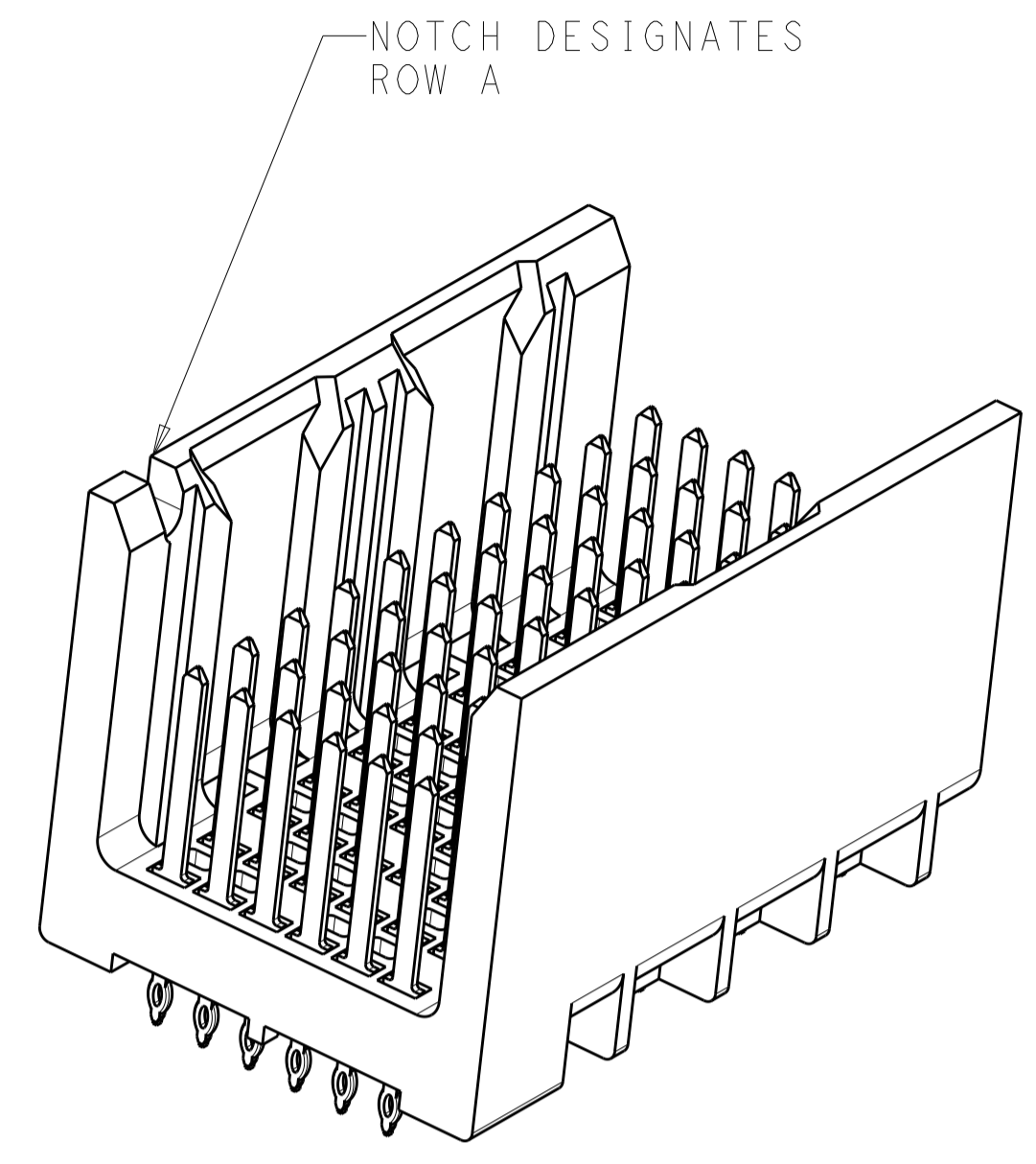
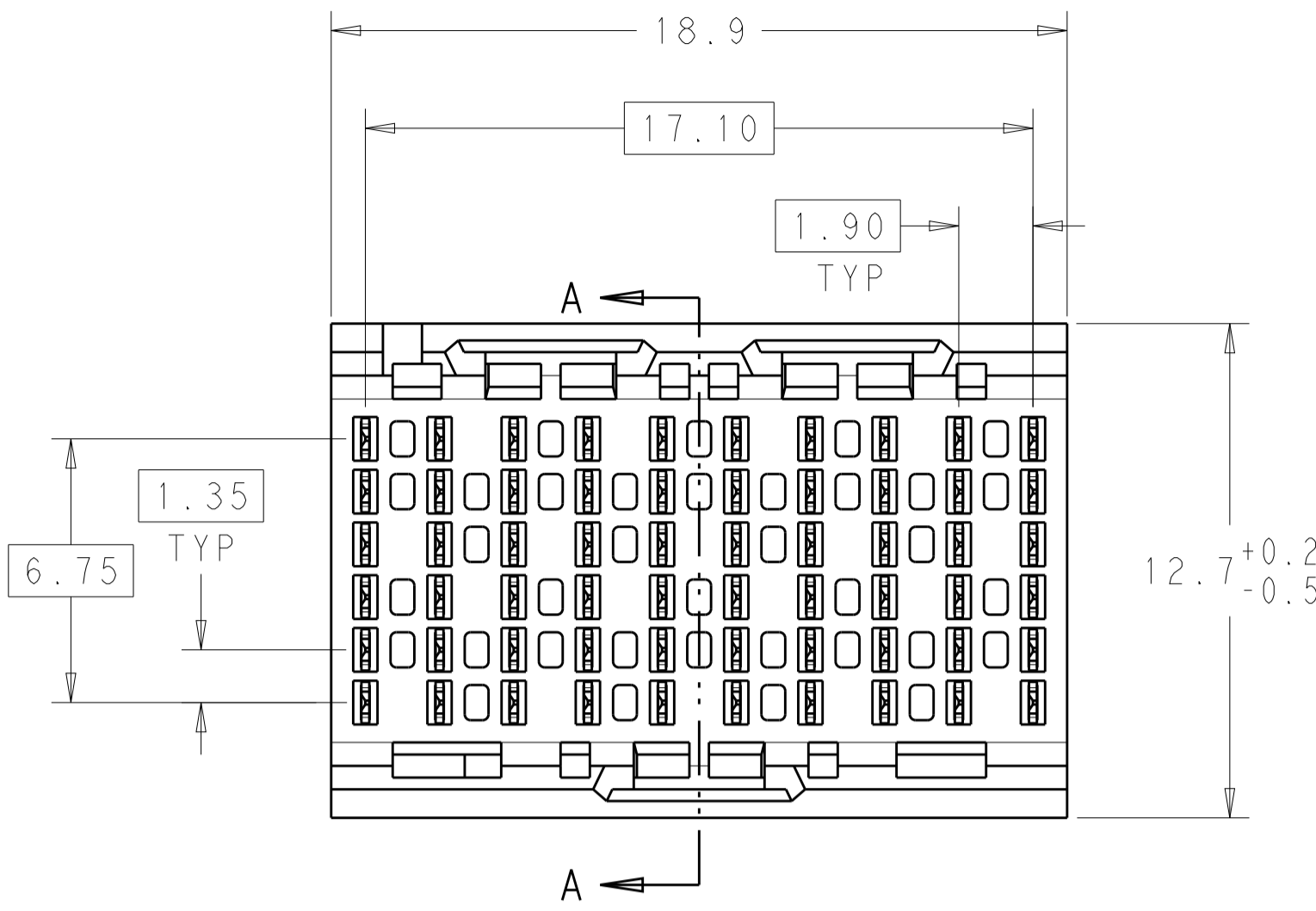
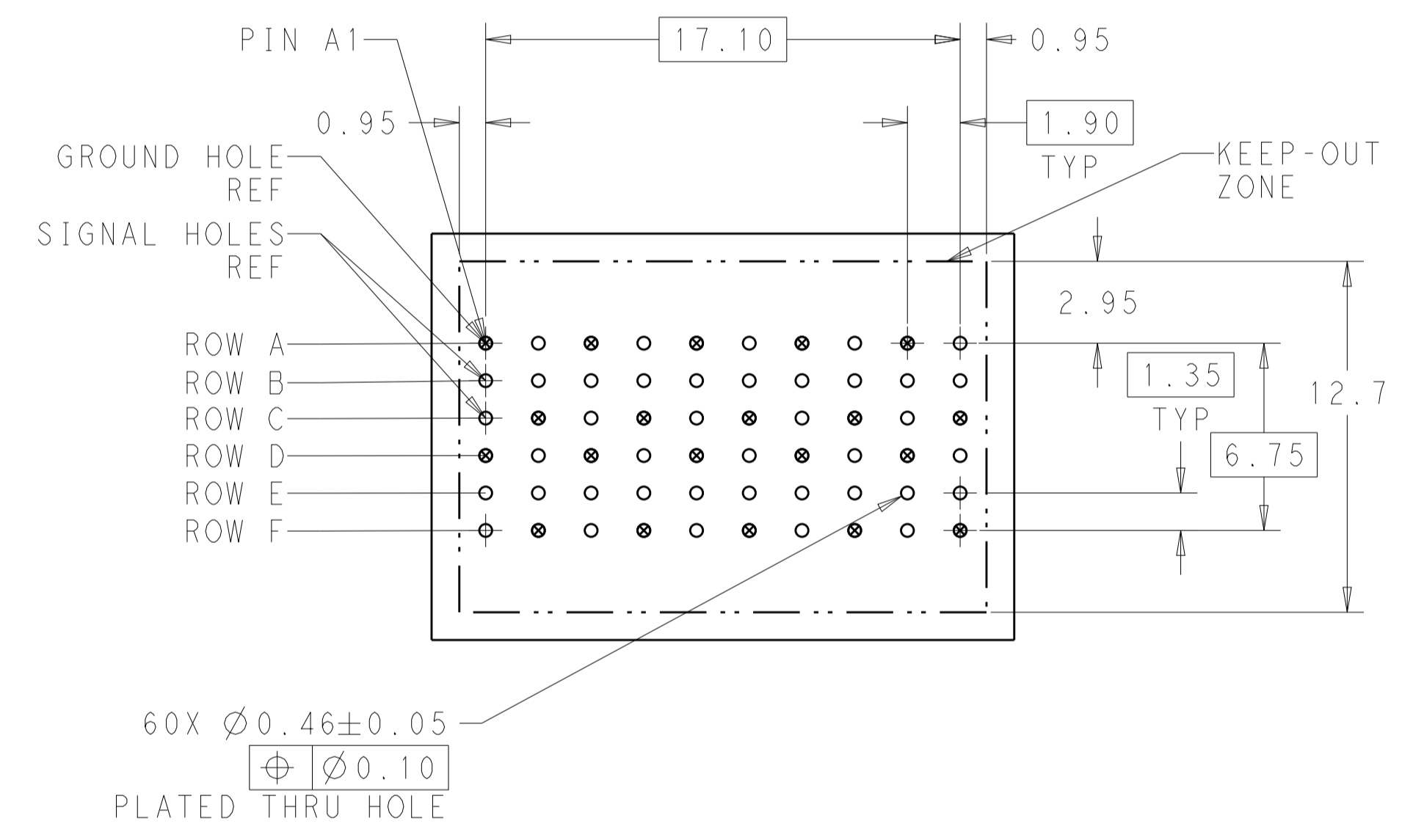


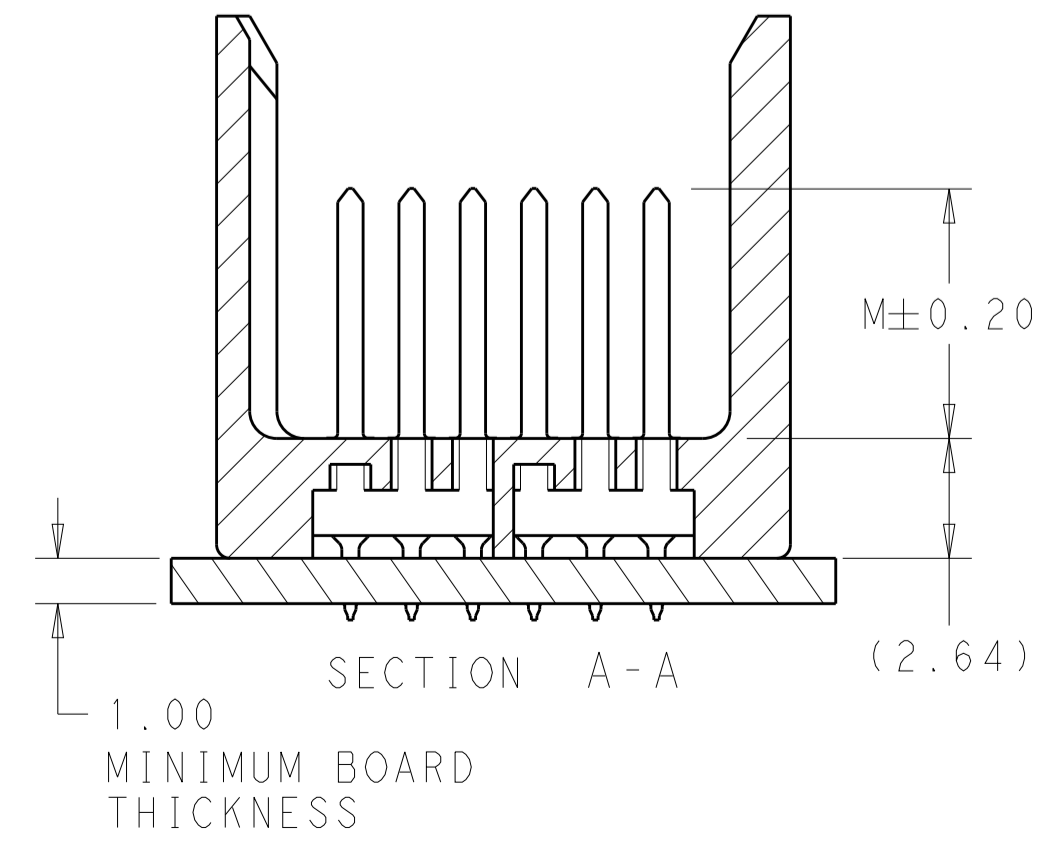
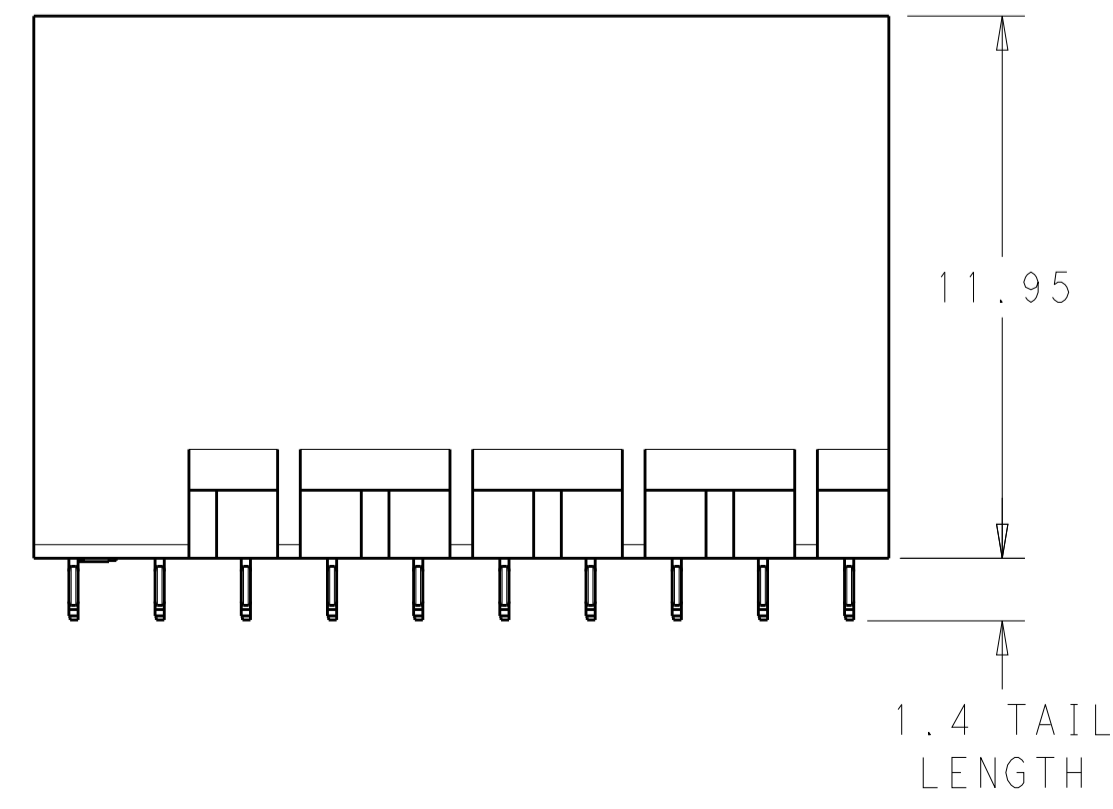
LOC		DIST		REVISIONS			
		P	LTR	DESCRIPTION	DATE	DWN	APVD
		A		REVISED PER ECO-15-003242	23MAR2015	AP	DD



- ⚠ MATERIAL:
HOUSING: LCP, GLASS FILLED, UL94V-0.
TERMINALS: HIGH PERFORMANCE COPPER ALLOY.
- ⚠ FINISH:
30μ" MIN GOLD IN CONTACT AREA. SELECTIVE TIN ON PCB TAILS, NICKEL OVERALL.
- ⚠ FINISH:
30μ" MIN GOLD IN CONTACT AREA. SELECTIVE TIN-LEAD ON PCB TAILS, NICKEL OVERALL.



UNGUIDED
 BACKPLANE HOLE PATTERN
 (CONNECTOR SIDE)



THIS DRAWING IS A CONTROLLED DOCUMENT.		DWN: KIRAN HOLH 08NOV2012	TE Connectivity
DIMENSIONS: mm		CHK: D. DIXON 08NOV2012	
TOLERANCES UNLESS OTHERWISE SPECIFIED:		APVD: D. DIXON 08NOV2012	NAME: IMPACT, 2 PAIR, 10 COLUMN, HEADER
0 PLC	±	PRODUCT SPEC	UNGUIDED, OPEN END WALL
1 PLC	±0.25	APPLICATION SPEC	SIGNAL MODULE, 0.46 PTH
2 PLC	±0.13	SIZE	CAGE CODE DRAWING NO
3 PLC	±	WEIGHT	A100779C=2057426
4 PLC	±	RESTRICTED TO	
5 PLC	±	Customer Drawing	SCALE: 6:1 SHEET 1 OF 2 REV A
ANGLES	±		
FINISH	SEE TABLE		

THIS DRAWING IS UNPUBLISHED. RELEASED FOR PUBLICATION 20
 © COPYRIGHT 20 BY - ALL RIGHTS RESERVED.

LOC		DIST		REVISIONS			
P	LTN	DESCRIPTION	DATE	DWN	APVD		
-	-	SEE SHEET 1	-	-	-		

FINISH	DIM M	PART NUMBER
△3	5.5	2057426-6
△3	4.9	2057426-5
△3	4.5	2057426-4
△2	5.5	2057426-3
△2	4.9	2057426-2
△2	4.5	2057426-1

REFER TO WWW.TE.COM
 FOR PRODUCT AVAILABILITY

THIS DRAWING IS A CONTROLLED DOCUMENT.		DWN	27APR2011		
DIMENSIONS:		CHK	27APR2011		
mm	TOLERANCES UNLESS OTHERWISE SPECIFIED:	APVD	27APR2011	NAME	
0 PLC ±	0 PLC ±0.25	J. EARY		IMPACT, 2 PAIR, 10 COLUMN, HEADER	
1 PLC ±	1 PLC ±0.13	EARY		UNGUIDED, OPEN END WALL	
2 PLC ±	2 PLC ±	EARY		SIGNAL MODULE, 0.46 PTH	
3 PLC ±	3 PLC ±	EARY		SIZE	
4 PLC ±	4 PLC ±	EARY		CAGE CODE	
ANGLES	ANGLES	EARY		DRAWING NO	
FINISH	FINISH	EARY		RESTRICTED TO	
SEE TABLE	SEE TABLE	EARY		A100779C=2057426	
MATERIAL	MATERIAL	EARY		WEIGHT	
-	-	EARY		Customer Drawing	
SCALE		SHEET		REV	
5:1		2 OF 2		A	