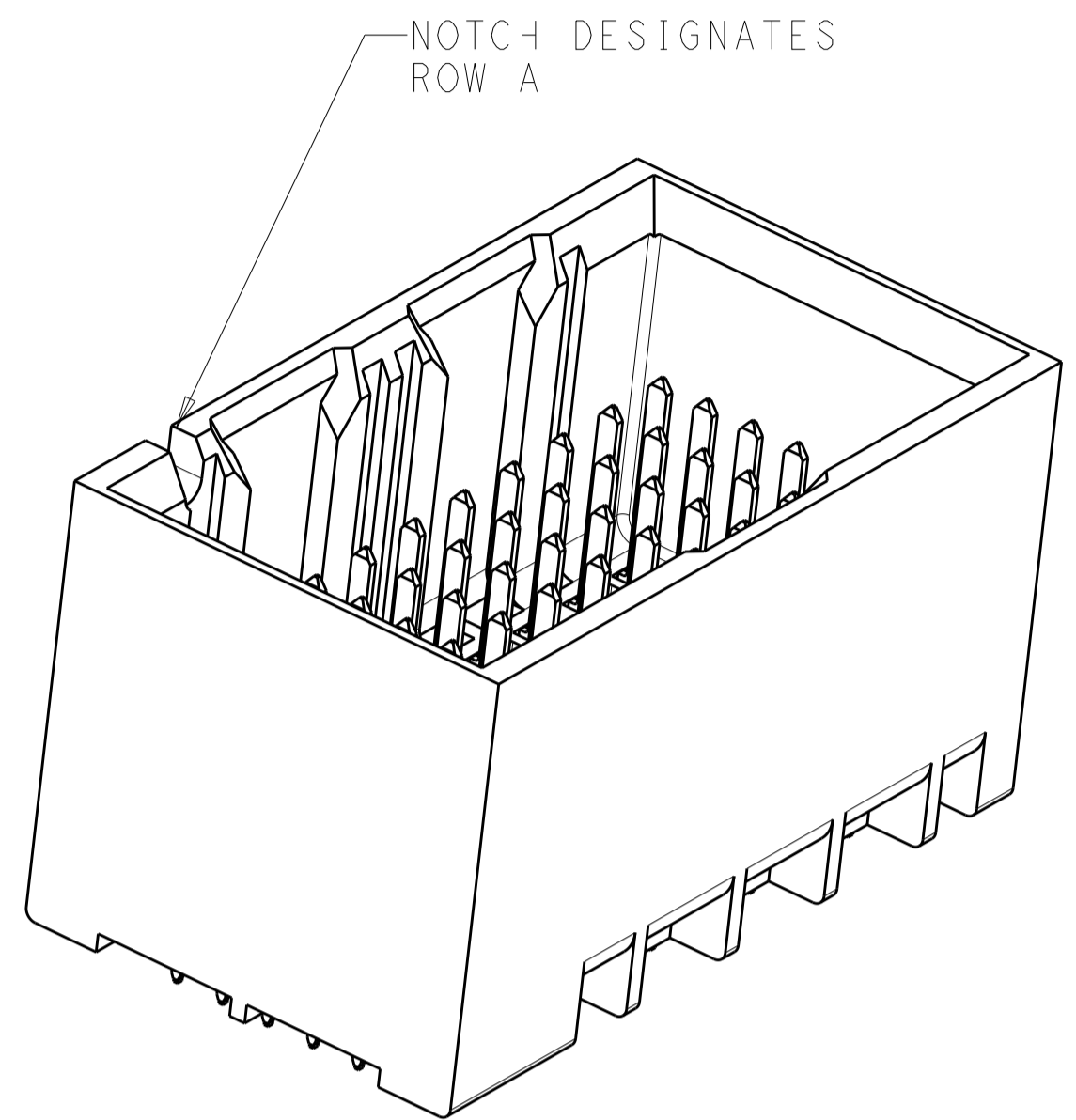
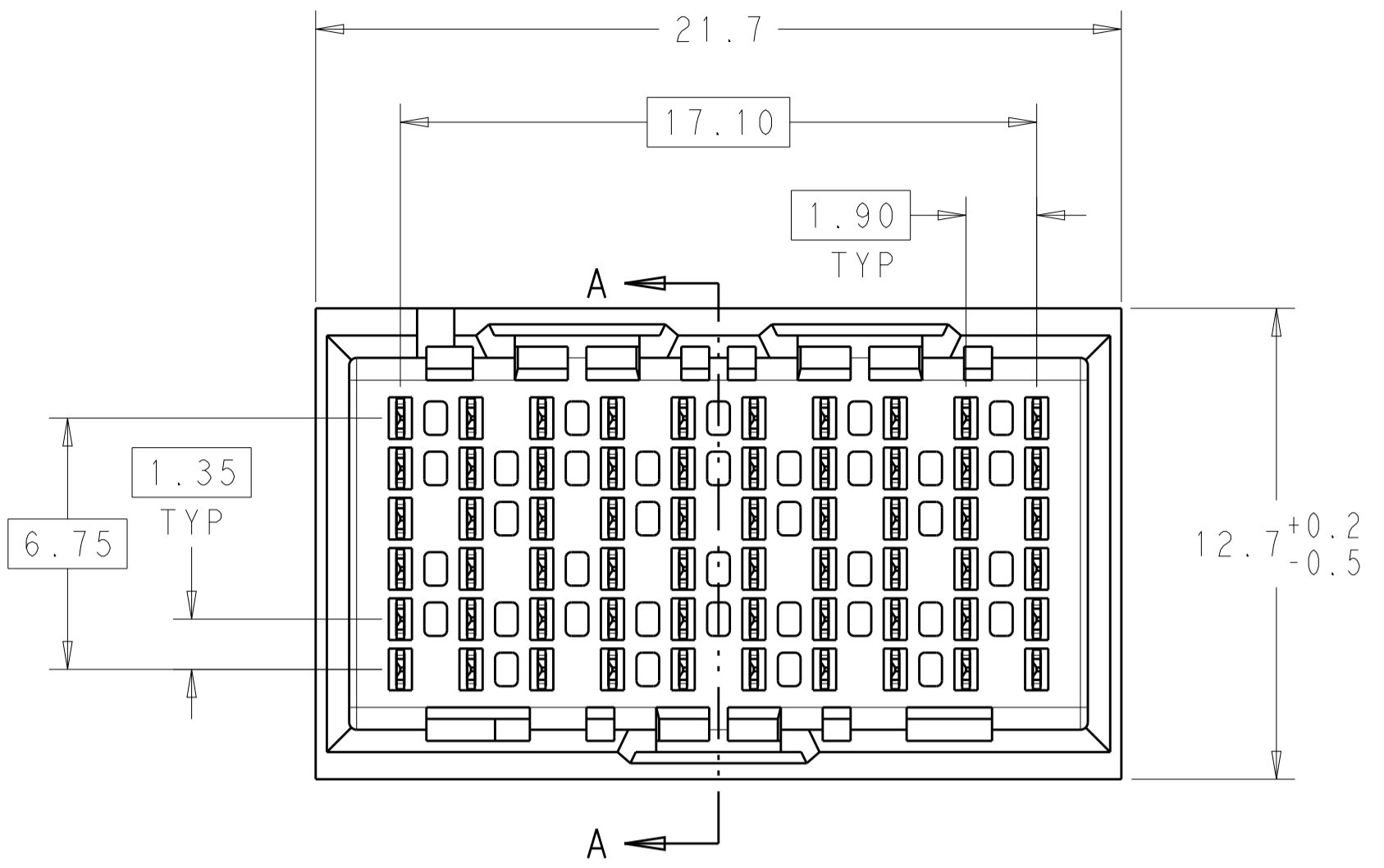
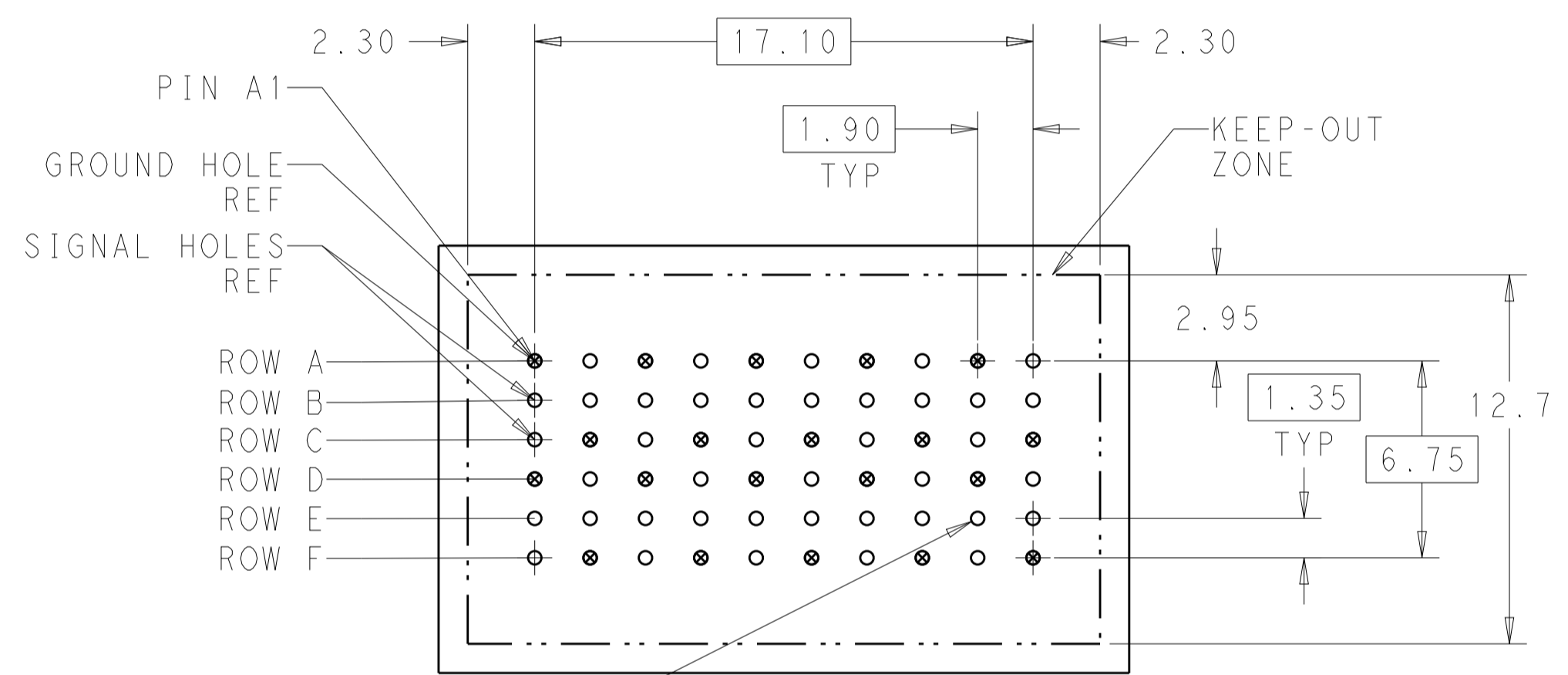


LOC		DIST		REVISIONS			
AD	00	P	LTN	DESCRIPTION	DATE	DWN	APVD
		A		REVISED PER ECO-15-003242	23MAR2015	AP	DD



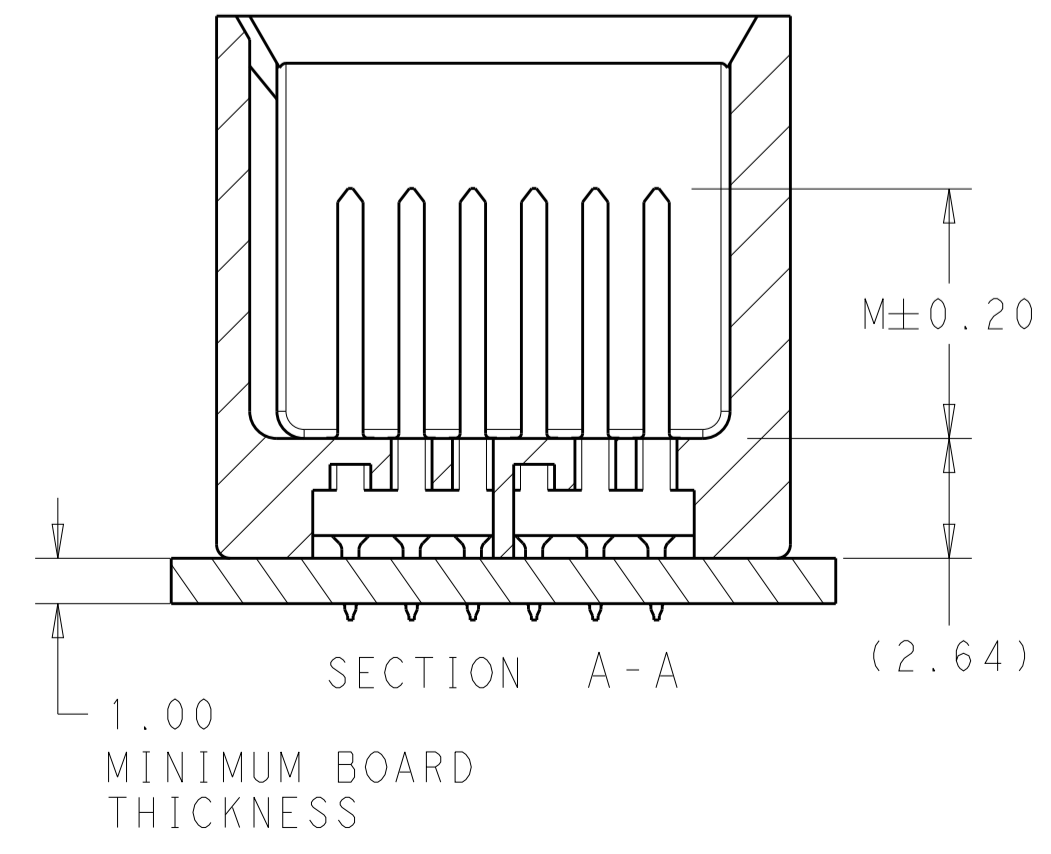
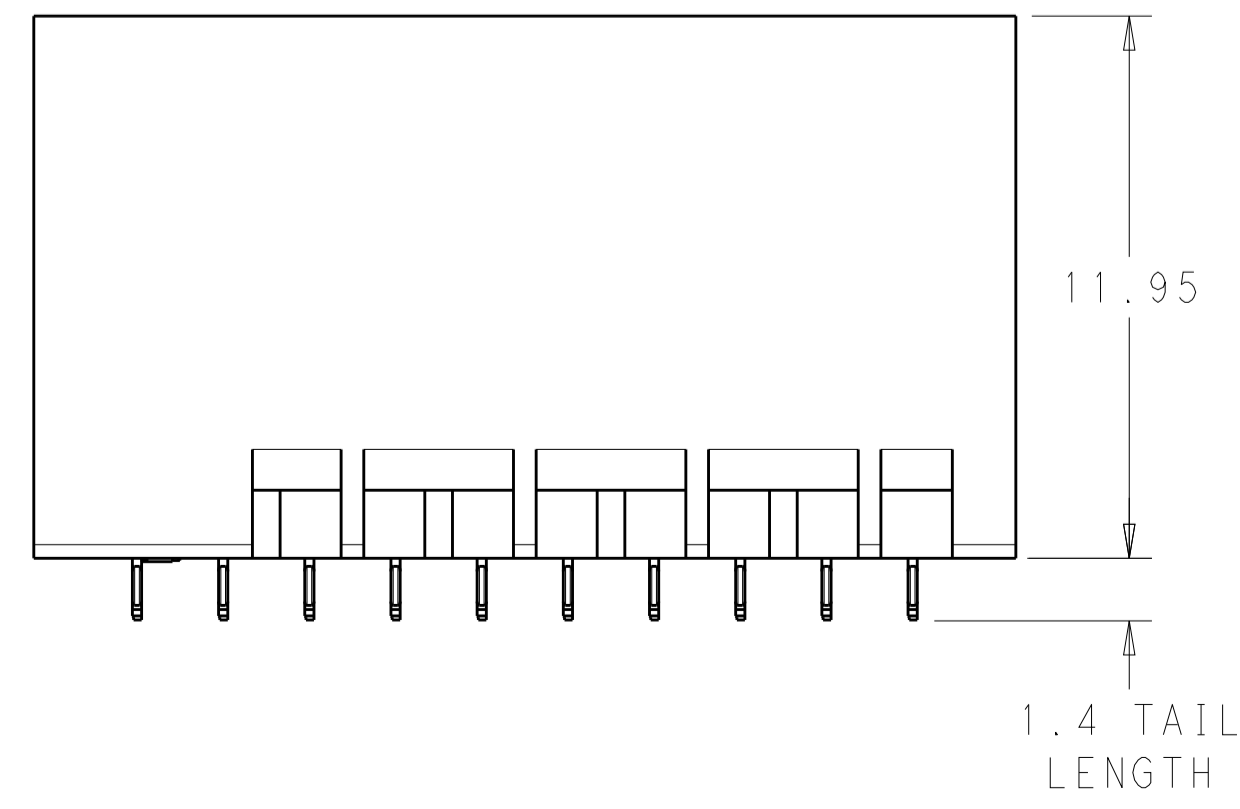
- 1 MATERIAL:
HOUSING: LCP, GLASS FILLED, UL94V-0.
TERMINALS: HIGH PERFORMANCE COPPER ALLOY.
- 2 FINISH:
30µ" MIN GOLD IN CONTACT AREA. SELECTIVE TIN
ON PCB TAILS, NICKEL OVERALL.
- 3 FINISH:
30µ" MIN GOLD IN CONTACT AREA. SELECTIVE TIN-LEAD
ON PCB TAILS, NICKEL OVERALL.



60X $\varnothing 0.46 \pm 0.05$
PLATED THRU HOLE

60X $\varnothing 0.55 \pm 0.013$
DRILL HOLE
 $\varnothing 0.10$

UNGUIDED
BACKPLANE HOLE PATTERN
(CONNECTOR SIDE)




THIS DRAWING IS A CONTROLLED DOCUMENT.		DWN	24JUN2011		TE Connectivity	
DIMENSIONS:		CHK	24JUN2011		NAME	
mm	0 PLC ±	APVD	24JUN2011	IMPACT, 2 PAIR, 10 COLUMN, HEADER		
	1 PLC ±0.25	PRODUCT SPEC		UNGUIDED, DUAL END WALL		
	2 PLC ±0.13	APPLICATION SPEC		SIGNAL MODULE, 0.46 PTH		
	3 PLC ±	WEIGHT		SIZE CAGE CODE DRAWING NO RESTRICTED TO		
	4 PLC ±	Customer Drawing		A100779C=2057428		
MATERIAL	FINISH	SCALE		SHEET 1 OF 2 REV A		
SEE TABLE	SEE TABLE	6:1				

THIS DRAWING IS UNPUBLISHED. RELEASED FOR PUBLICATION 20
 © COPYRIGHT 20 BY - ALL RIGHTS RESERVED.

LOC		DIST		REVISIONS			
P	LTN	DESCRIPTION	DATE	DWN	APVD		
-	-	SEE SHEET 1	-	-	-		

FINISH	DIM M	PART NUMBER
△3	5.5	2057428-6
△3	4.9	2057428-5
△3	4.5	2057428-4
△2	5.5	2057428-3
△2	4.9	2057428-2
△2	4.5	2057428-1

REFER TO WWW.TE.COM
 FOR PRODUCT AVAILABILITY

THIS DRAWING IS A CONTROLLED DOCUMENT.		DWN - 24JUN2011	 TE Connectivity
DIMENSIONS: mm		CHK J. EARY 24JUN2011	
TOLERANCES UNLESS OTHERWISE SPECIFIED: 0 PLC ± 1 PLC ±0.25 2 PLC ±0.13 3 PLC ± 4 PLC ± ANGLES ± FINISH SEE TABLE		APVD J. EARY 24JUN2011	
MATERIAL -		PRODUCT SPEC -	NAME IMPACT, 2 PAIR, 10 COLUMN, HEADER UNGUIDED, DUAL END WALL SIGNAL MODULE, 0.46 PTH
SCALE 5:1		APPLICATION SPEC -	SIZE CAGE CODE DRAWING NO RESTRICTED TO
Customer Drawing		WEIGHT -	A100779C=2057428
SHEET 2 OF 2		SCALE 5:1	REV A