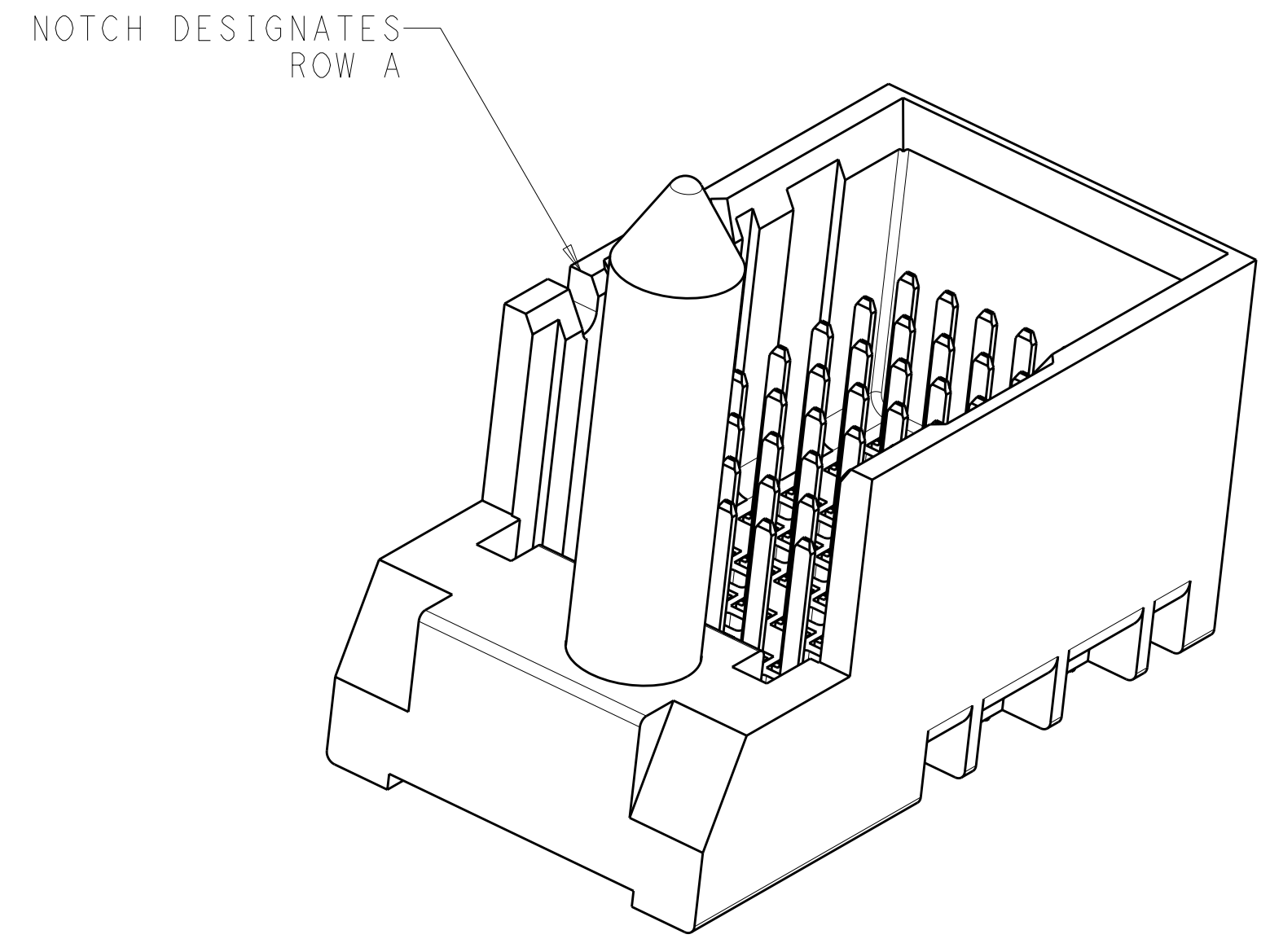
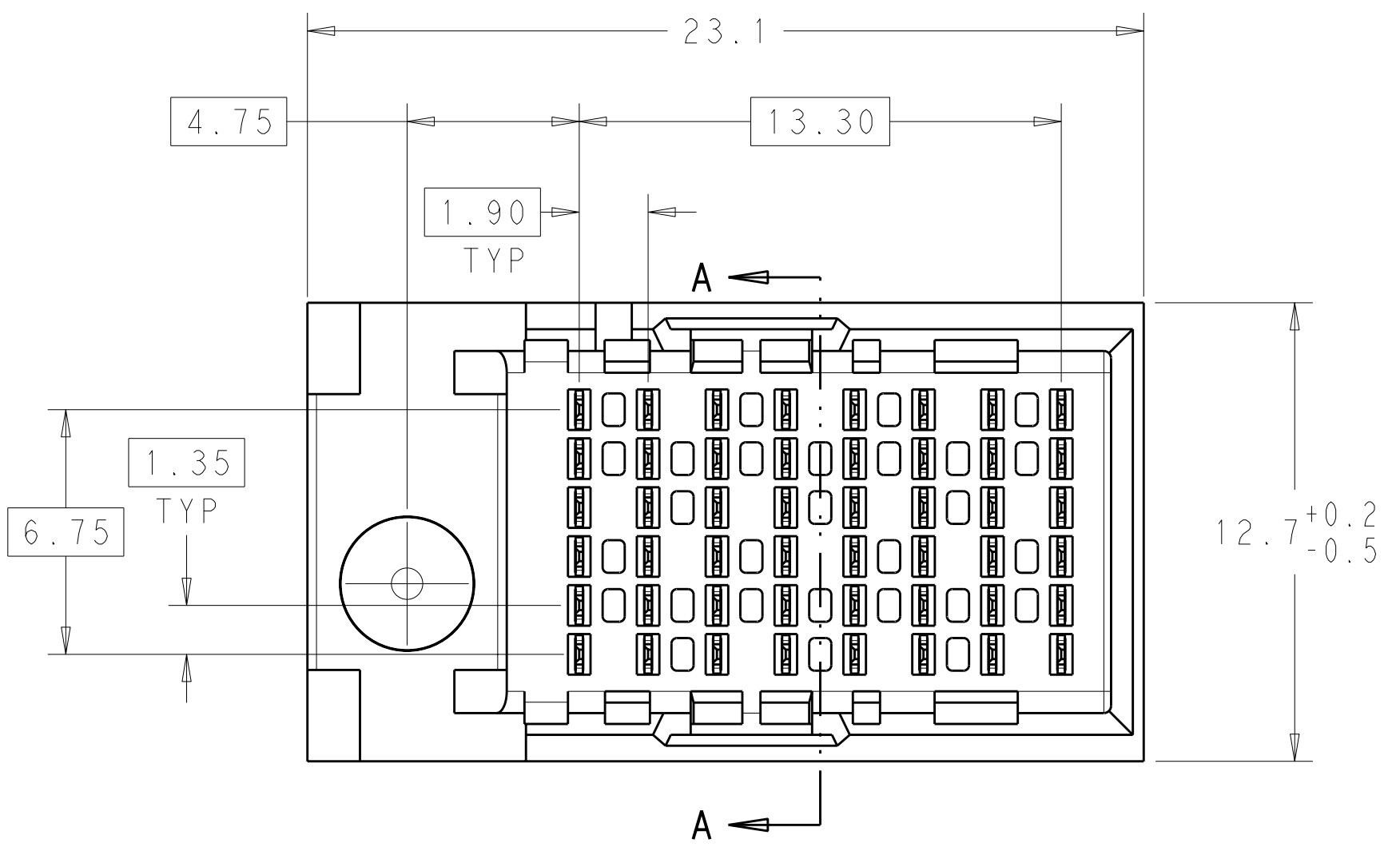
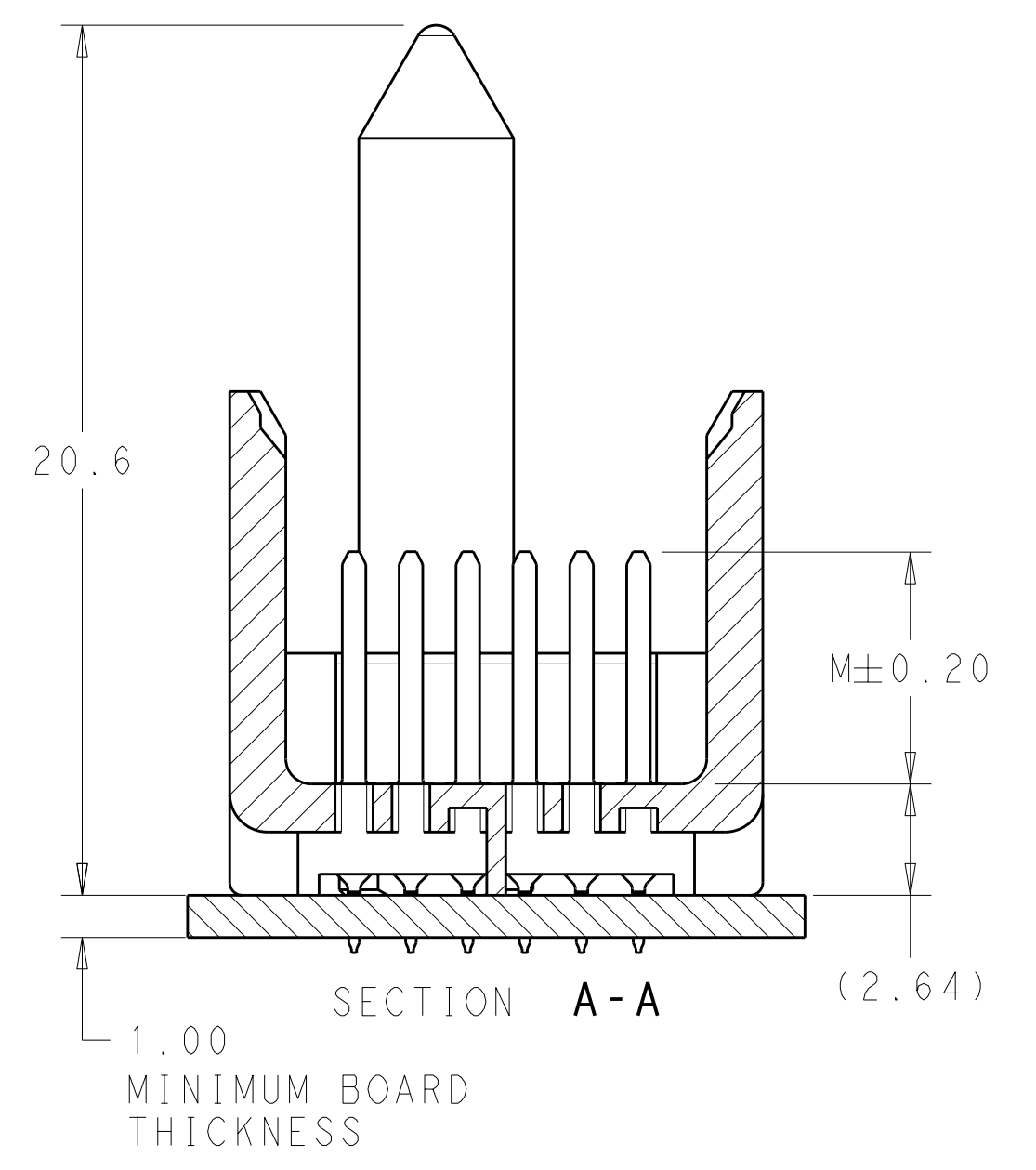
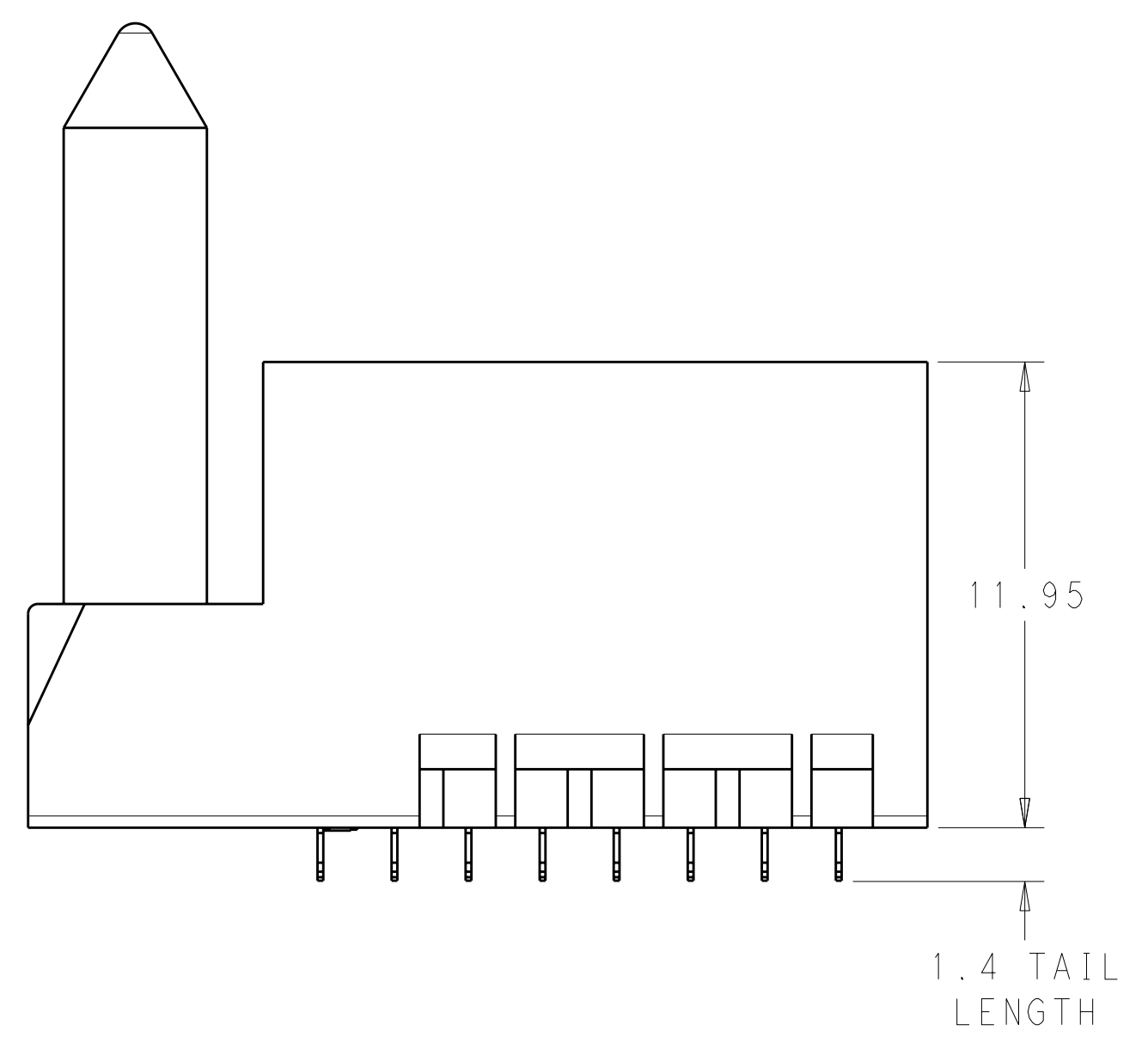
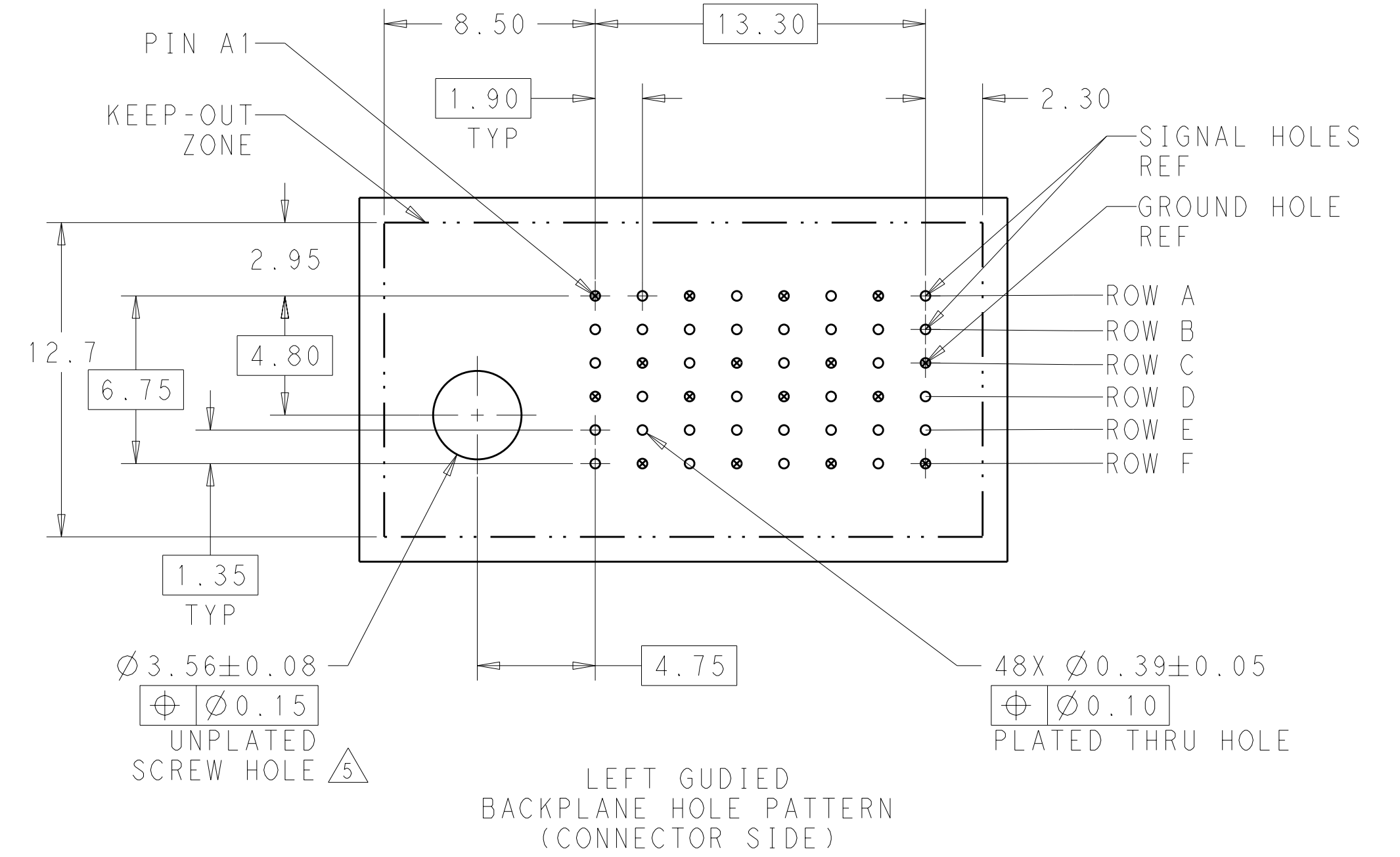


LOC	DIST	REVISIONS			
AD	00	REV	DATE	DWN	APVD
		B	REVISED PER ECO-11-025276	10JAN12	KH DY



- 1 MATERIAL:
HOUSING: LCP, GLASS FILLED, UL94V-0.
TERMINALS: HIGH PERFORMANCE COPPER ALLOY.
- 2 FINISH:
30µ" MIN GOLD IN CONTACT AREA. SELECTIVE TIN ON PCB TAILS, NICKEL OVERALL.
- 3 FINISH:
30µ" MIN GOLD IN CONTACT AREA. SELECTIVE TIN-LEAD ON PCB TAILS, NICKEL OVERALL.
- 4. SCREWS PACKAGED IN END OF PACKAGING TUBE.
- 5 FOR GROUNDED GUIDE PIN USE $\varnothing 3.56 \pm 0.08$ PTH, $\varnothing 3.66$ DRILL, AND $\varnothing 6.5$ PAD.




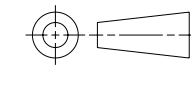
THIS DRAWING IS A CONTROLLED DOCUMENT.		DWN 27APR2011	TE Connectivity
DIMENSIONS: mm		CHK J. EBY 27APR2011	
TOLERANCES UNLESS OTHERWISE SPECIFIED:		APVD J. EBY 27APR2011	NAME IMPACT, 2 PAIR, 8 COLUMN, HEADER LEFT GUIDED, RIGHT END WALL SIGNAL MODULE, 0.39 PTH
9 PLC ± 1 PLC ±0.25 3 PLC ±0.13 4 PLC ± ANGLES ±		PRODUCT SPEC	SIZE CAGE CODE DRAWING NO. RESTRICTED TO
MATERIAL FINISH SEE TABLE		APPLICATION SPEC	A100779C=2057723
WEIGHT		CUSTOMER DRAWING	SCALE 6:1 SHEET 1 OF 2 REV B

THIS DRAWING IS UNPUBLISHED. RELEASED FOR PUBLICATION 20
 © COPYRIGHT 20 . . . ALL RIGHTS RESERVED.

LOC	DIST	REVISIONS					
AD	00	P	LTB	DESCRIPTION	DATE	DWN	APVD
		-	-	SEE SHEET 1	-	-	-

FINISH	DIM M	PART NUMBER
\triangle_3	5.5	2057723-6
\triangle_3	4.9	2057723-5
\triangle_3	4.5	2057723-4
\triangle_2	5.5	2057723-3
\triangle_2	4.9	2057723-2
\triangle_2	4.5	2057723-1

REFER TO WWW.TE.COM
FOR PRODUCT AVAILABILITY

THIS DRAWING IS A CONTROLLED DOCUMENT.		DWN	27APR2011	 TE Connectivity
DIMENSIONS:		CHK	27APR2011	
mm	TOLERANCES UNLESS OTHERWISE SPECIFIED:	APVD	J. EABY 27APR2011	NAME
	0 PLC ±	PRODUCT SPEC		IMPACT, 2 PAIR, 8 COLUMN, HEADER
	1 PLC ±0.25	APPLICATION SPEC		LEFT GUIDED, RIGHT END WALL
	2 PLC ±0.13	WEIGHT		SIGNAL MODULE, 0.39 PTH
	3 PLC ±	CUSTOMER DRAWING		SIZE CAGE CODE DRAWING NO RESTRICTED TO
	4 PLC ±	SCALE	5:1	A100779C=2057723
	ANGLES ±	SHEET	2	OF 2
MATERIAL	FINISH	REV	B	
	SEE TABLE			