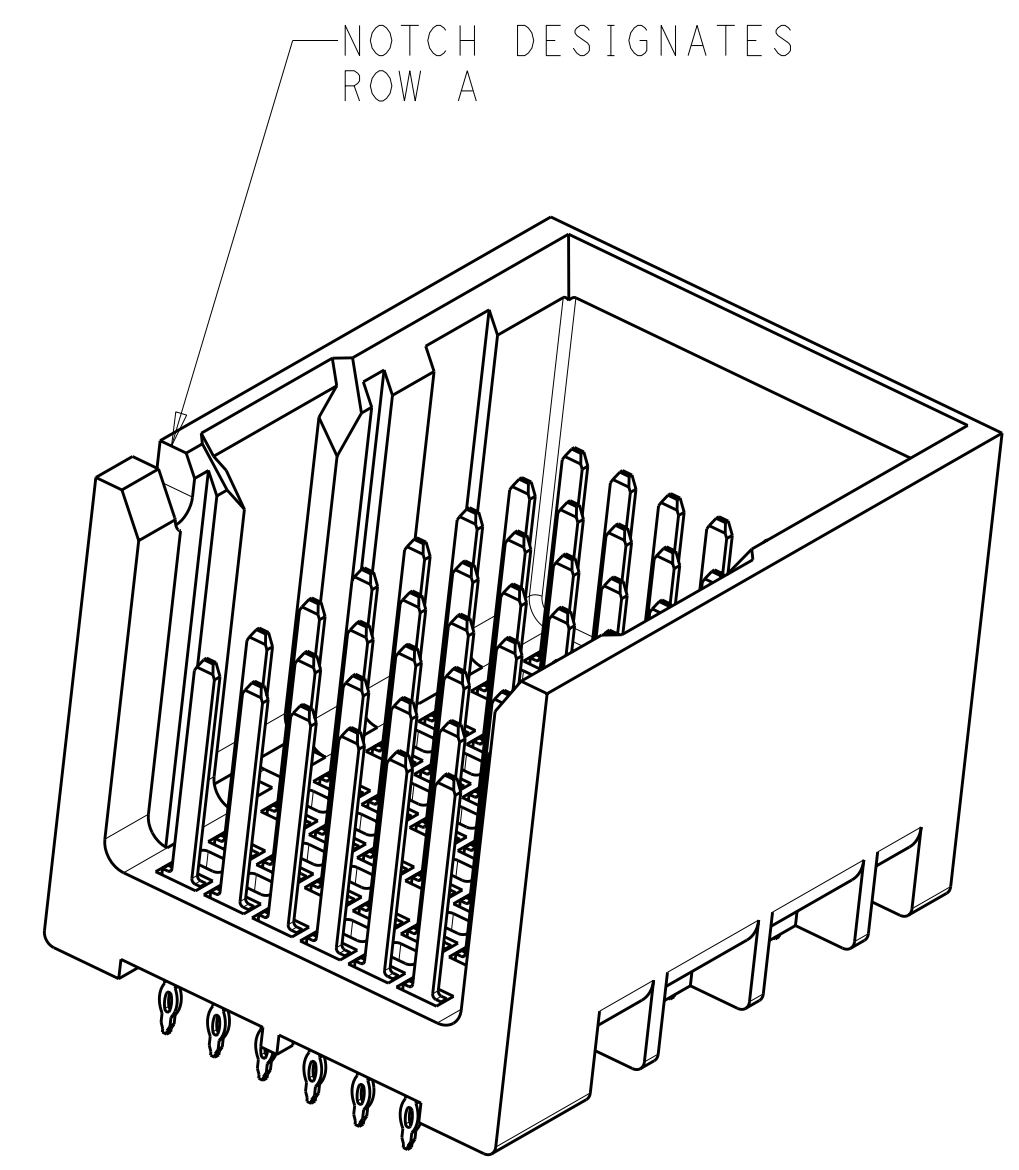
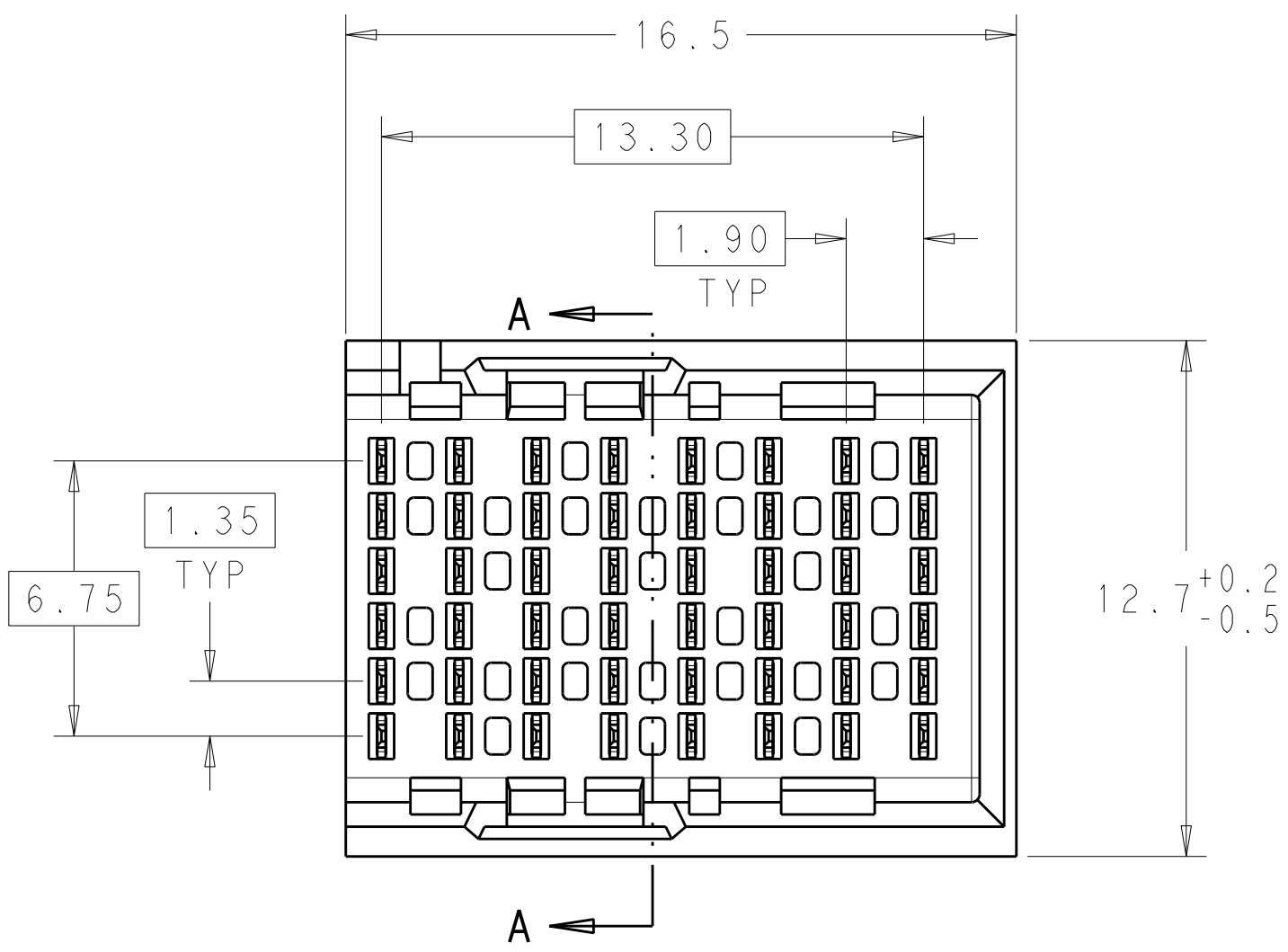
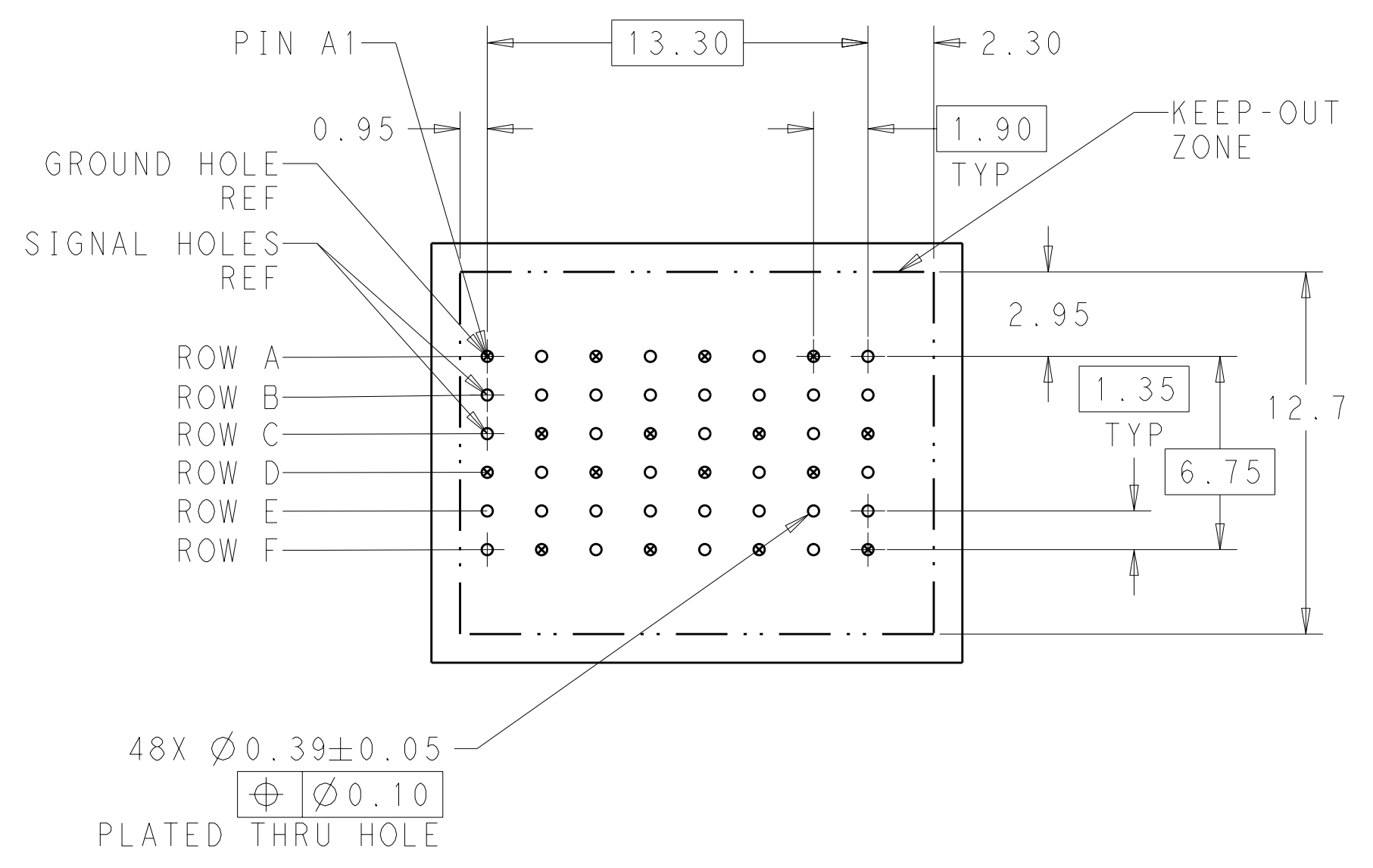


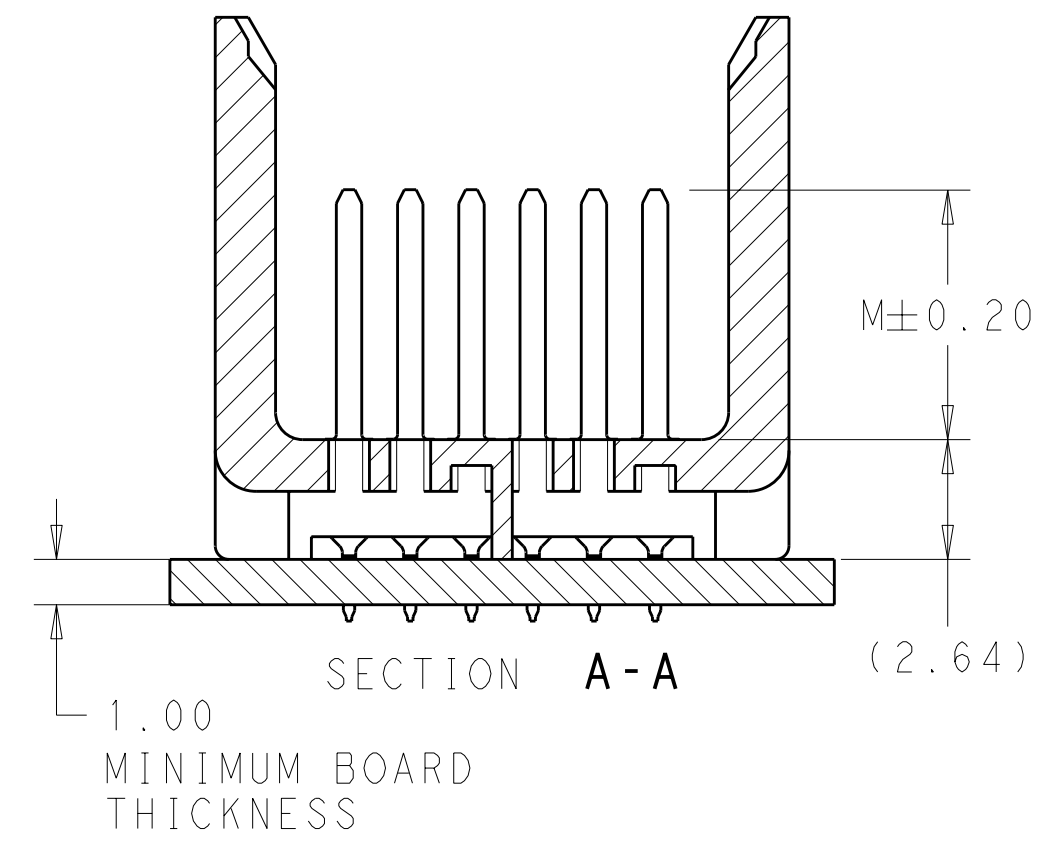
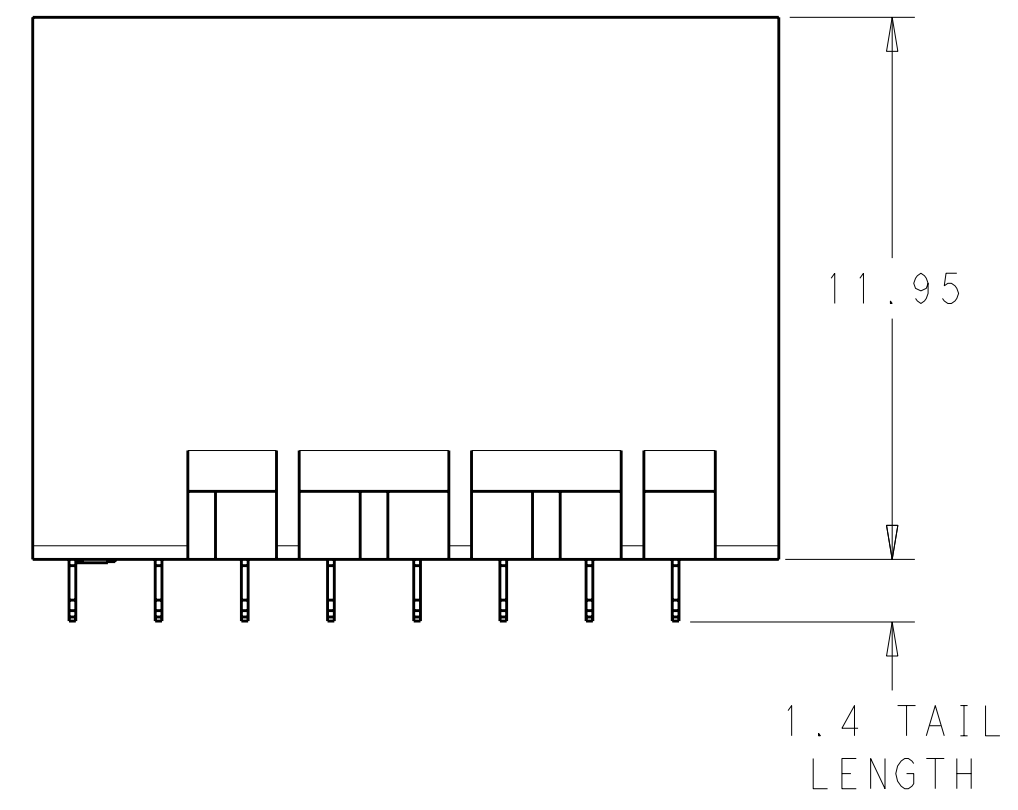
LOC		DIST		REVISIONS			
AD	00	P	LTB	DESCRIPTION	DATE	DWN	APVD
		B		REVISED PER ECO-11-025276	11JAN12	KH	DY



- 1 MATERIAL:  
HOUSING: LCP, GLASS FILLED, UL94V-0.  
TERMINALS: HIGH PERFORMANCE COPPER ALLOY.
- 2 FINISH:  
30μ" MIN GOLD IN CONTACT AREA. SELECTIVE TIN ON PCB TAILS, NICKEL OVERALL.
- 3 FINISH:  
30μ" MIN GOLD IN CONTACT AREA. SELECTIVE TIN-LEAD ON PCB TAILS, NICKEL OVERALL.



UNGUIDED  
BACKPLANE HOLE PATTERN  
(CONNECTOR SIDE)




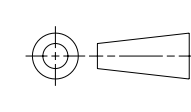
THIS DRAWING IS A CONTROLLED DOCUMENT.		DWN	27APR2011	TE Connectivity																									
DIMENSIONS:		CHK	27APR2011																										
mm	TOLERANCES UNLESS OTHERWISE SPECIFIED:	APVD	27APR2011	NAME																									
<table border="1"> <tr><td>9 PLC</td><td>±</td></tr> <tr><td>1 PLC</td><td>±0.25</td></tr> <tr><td>2 PLC</td><td>±0.13</td></tr> <tr><td>3 PLC</td><td>±</td></tr> <tr><td>4 PLC</td><td>±</td></tr> <tr><td>ANGLES</td><td>±</td></tr> <tr><td>FINISH</td><td>SEE TABLE</td></tr> </table>	9 PLC	±	1 PLC	±0.25	2 PLC	±0.13	3 PLC	±	4 PLC	±	ANGLES	±	FINISH	SEE TABLE	<table border="1"> <tr><td>PRODUCT SPEC</td></tr> <tr><td>APPLICATION SPEC</td></tr> <tr><td>WEIGHT</td></tr> <tr><td>CUSTOMER DRAWING</td></tr> </table>	PRODUCT SPEC	APPLICATION SPEC	WEIGHT	CUSTOMER DRAWING	<table border="1"> <tr><td>SIZE</td><td>CAGE CODE</td><td>DRAWING NO</td><td>RESTRICTED TO</td></tr> <tr><td>A1</td><td>00779</td><td>C=2057735</td><td>-</td></tr> </table>	SIZE	CAGE CODE	DRAWING NO	RESTRICTED TO	A1	00779	C=2057735	-	IMPACT, 2 PAIR, 8 COLUMN, HEADER UNGUIDED, RIGHT END WALL SIGNAL MODULE, 0.39 PTH
9 PLC	±																												
1 PLC	±0.25																												
2 PLC	±0.13																												
3 PLC	±																												
4 PLC	±																												
ANGLES	±																												
FINISH	SEE TABLE																												
PRODUCT SPEC																													
APPLICATION SPEC																													
WEIGHT																													
CUSTOMER DRAWING																													
SIZE	CAGE CODE	DRAWING NO	RESTRICTED TO																										
A1	00779	C=2057735	-																										
SCALE 6:1 SHEET 1 OF 2 REV B																													

THIS DRAWING IS UNPUBLISHED. RELEASED FOR PUBLICATION 20  
 © COPYRIGHT 20 . . . ALL RIGHTS RESERVED.

LOC	DIST	REVISIONS				
AD	00	P	LTB	DATE	DWN	APVD
		-	-	SEE SHEET 1	-	-

FINISH	DIM M	PART NUMBER
$\triangle_3$	5.5	2057735-6
$\triangle_3$	4.9	2057735-5
$\triangle_3$	4.5	2057735-4
$\triangle_2$	5.5	2057735-3
$\triangle_2$	4.9	2057735-2
$\triangle_2$	4.5	2057735-1

REFER TO WWW.TE.COM  
FOR PRODUCT AVAILABILITY

THIS DRAWING IS A CONTROLLED DOCUMENT.		DWN	27APR2011	 TE Connectivity
DIMENSIONS:		CHK	27APR2011	
mm	TOLERANCES UNLESS OTHERWISE SPECIFIED:	APVD	27APR2011	NAME IMPACT, 2 PAIR, 8 COLUMN, HEADER UNGUIDED, RIGHT END WALL SIGNAL MODULE, 0.39 PTH
	0 PLC ± 1 PLC ±0.25 2 PLC ±0.13 3 PLC ± 4 PLC ± ANGLES ± FINISH	PRODUCT SPEC	APPLICATION SPEC	
MATERIAL	SEE TABLE	WEIGHT		SIZE CAGE CODE DRAWING NO A100779C=2057735
		CUSTOMER DRAWING	SCALE 5:1	RESTRICTED TO SHEET 2 OF 2 REV B