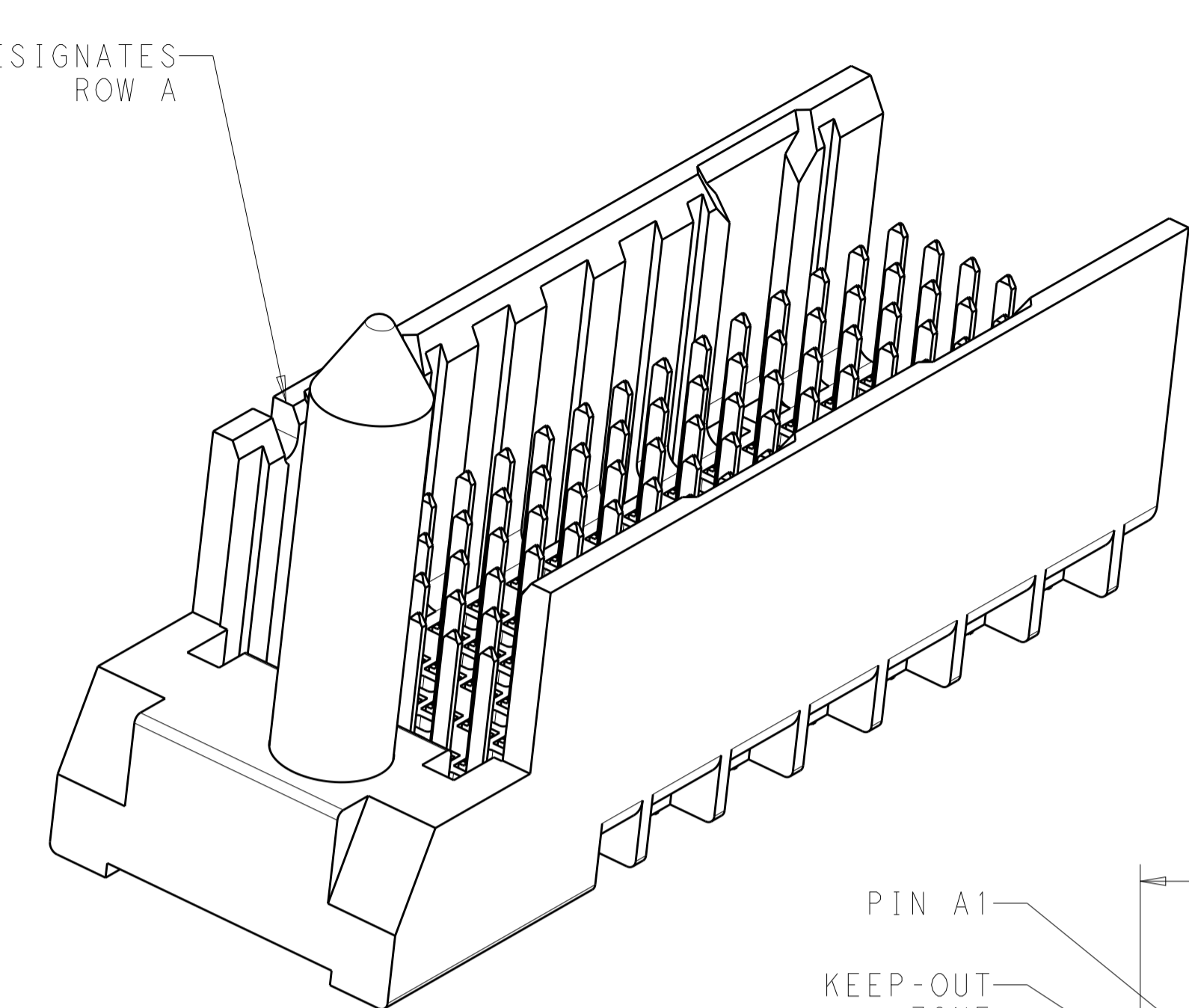
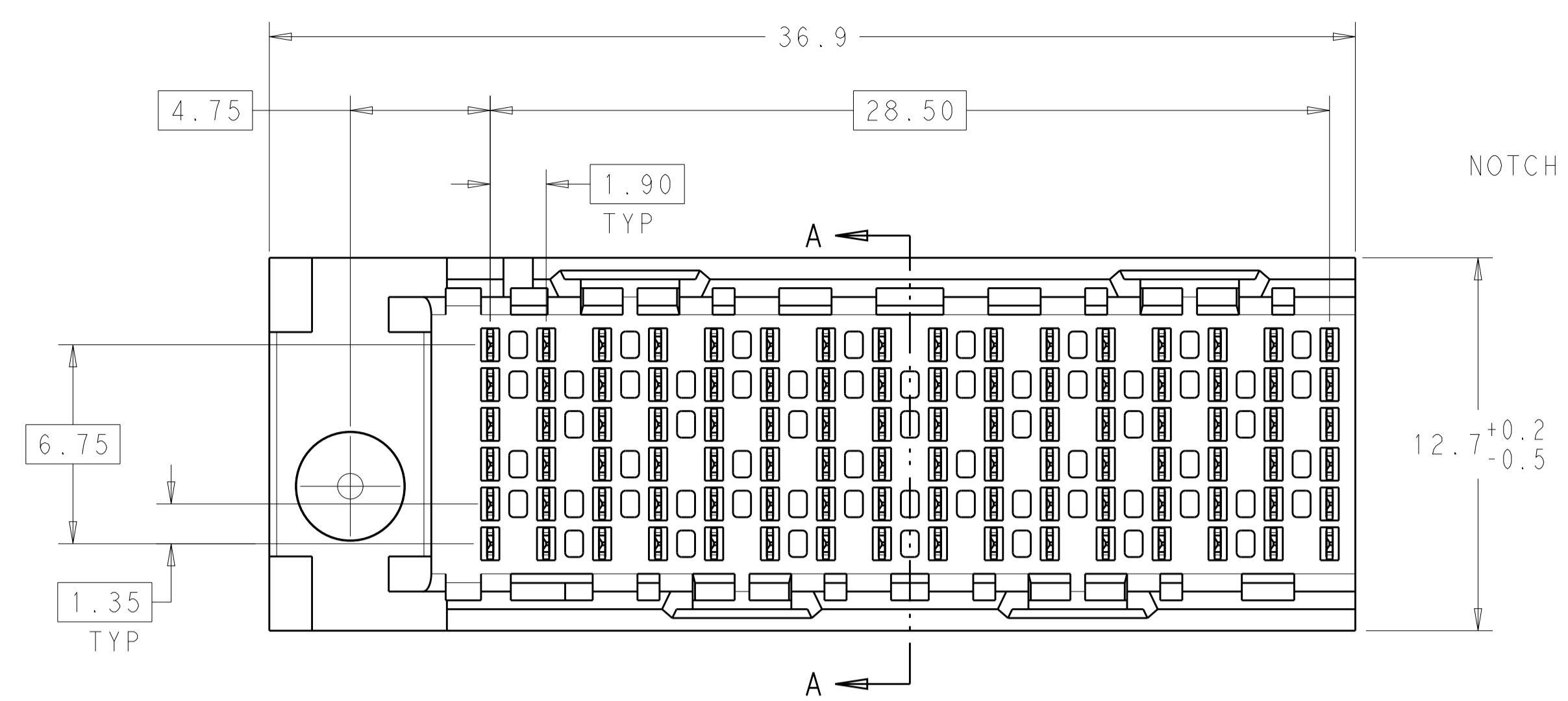
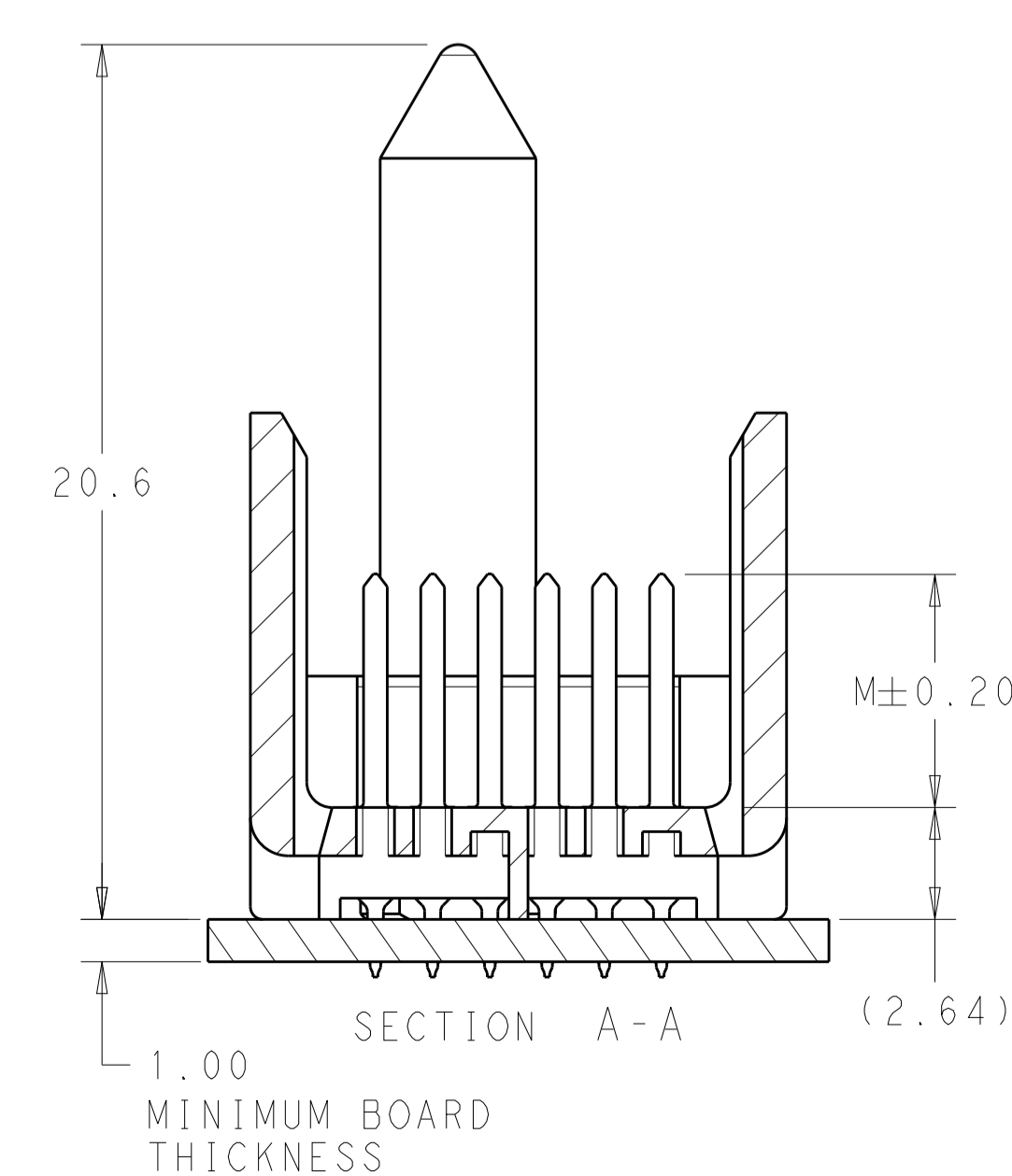
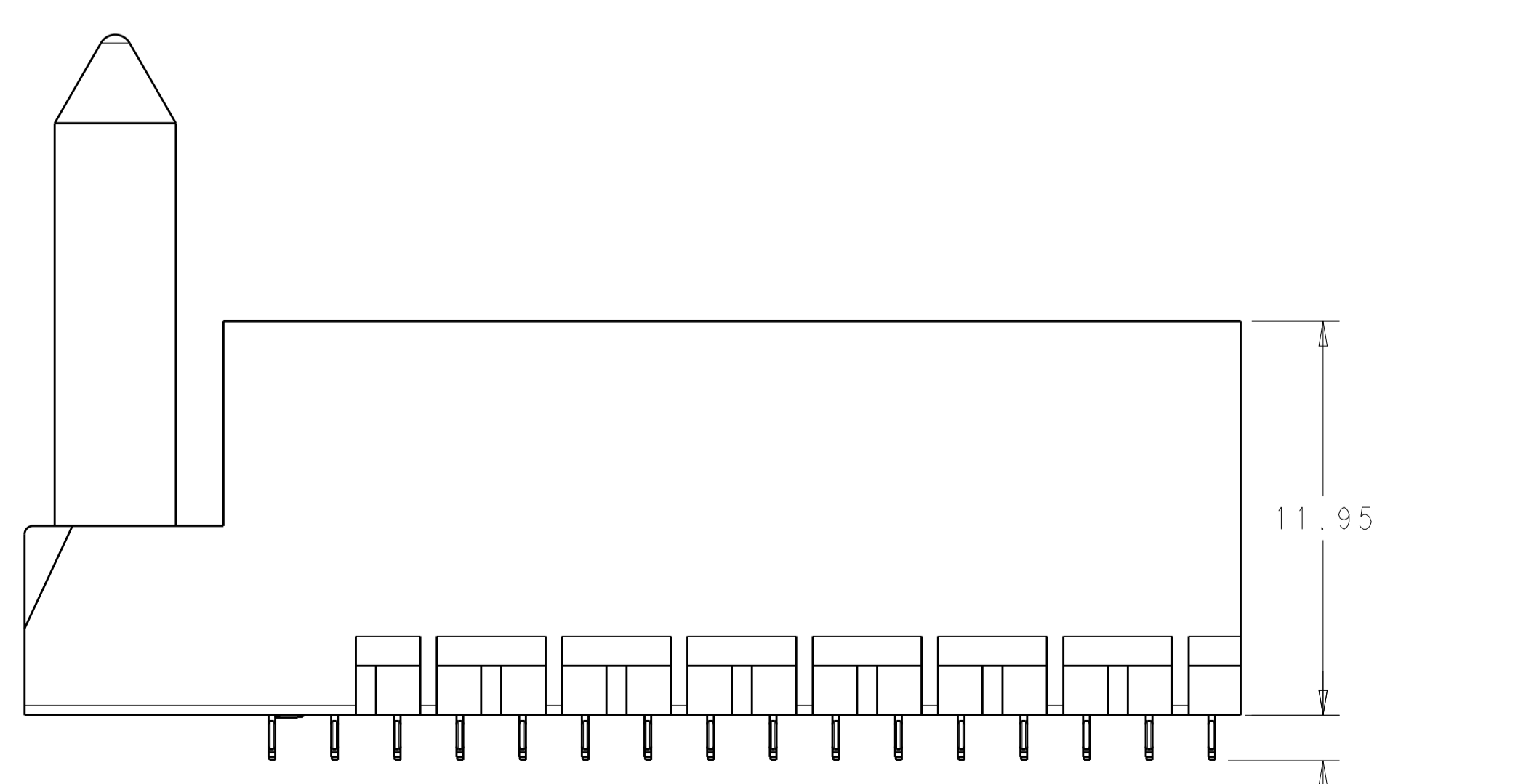
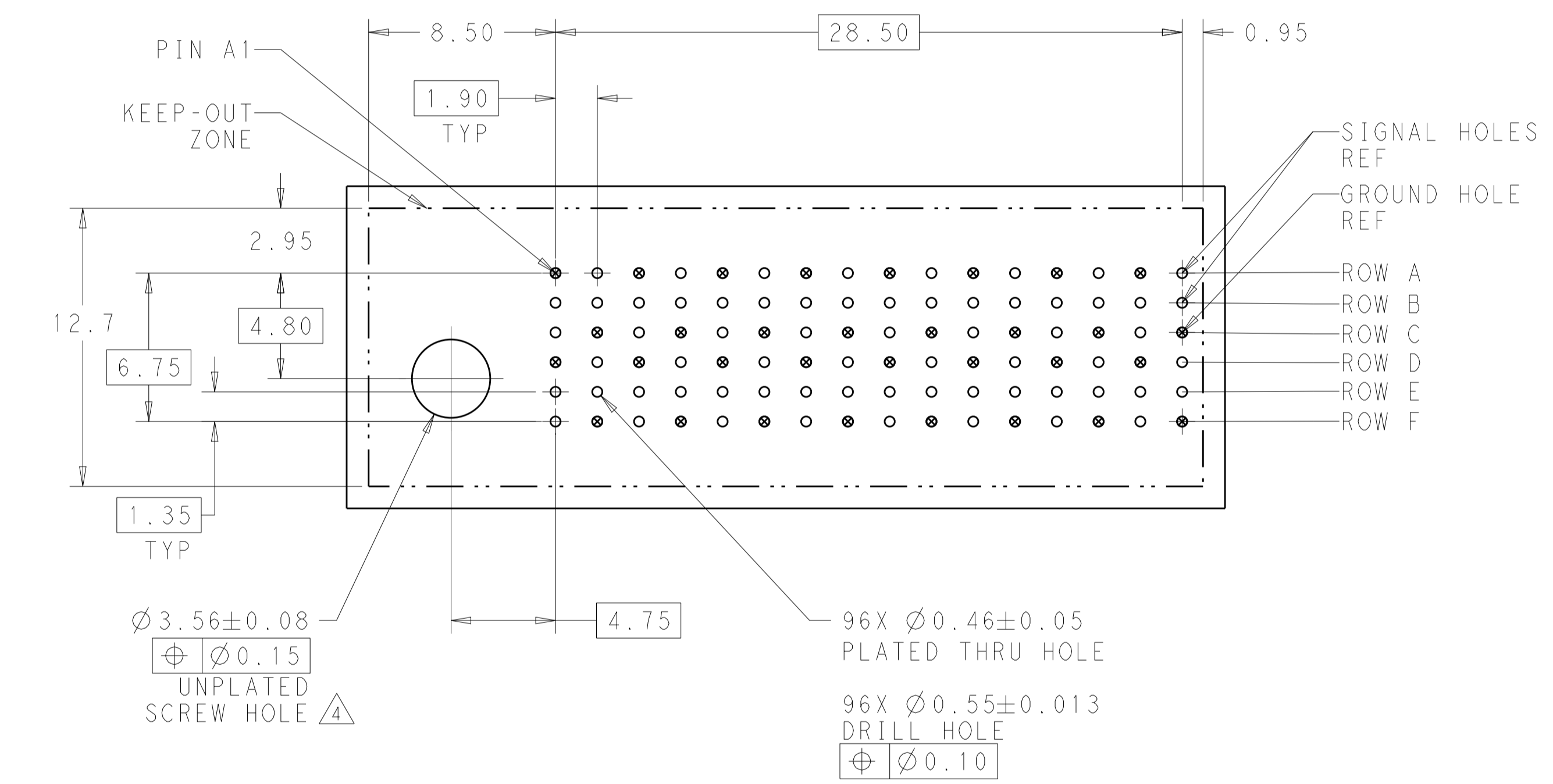


| LOC | DIST | REVISIONS | | | |
|-----|------|---------------------------|-----------|-----|------|
| P | LTN | DESCRIPTION | DATE | DWN | APVD |
| C1 | | REVISED PER ECO-15-001498 | 02FEB2015 | AP | DD |



- ⚠ MATERIAL:
HOUSING: LCP, GLASS FILLED, UL94V-0.
TERMINALS: HIGH PERFORMANCE COPPER ALLOY.
- ⚠ FINISH:
30μ" MIN GOLD IN CONTACT AREA. SELECTIVE TIN ON PCB TAILS, NICKEL OVERALL.
- 3. SCREWS PACKAGED IN END OF PACKAGING TUBE.
- ⚠ FOR GROUNDED GUIDE PIN USE $\varnothing 3.56 \pm 0.08$ PTH, $\varnothing 3.66$ DRILL, AND $\varnothing 6.5$ PAD.



LEFT GUIDED BACKPLANE HOLE PATTERN (CONNECTOR SIDE)

| | | | |
|--|-----------|--------------------------|--|
| THIS DRAWING IS A CONTROLLED DOCUMENT. | | DWN: R. COELLO 27APR2011 | TE Connectivity |
| DIMENSIONS: mm | | CHK: J. EARY 27APR2011 | |
| TOLERANCES UNLESS OTHERWISE SPECIFIED: | | APVD: J. EARY 27APR2011 | NAME: IMPACT, 2 PAIR, 16 COLUMN, HEADER LEFT GUIDED, OPEN END WALL SIGNAL MODULE, 0.46 PTH |
| 0 PLC | ± | PRODUCT SPEC | SIZE: A1 |
| 1 PLC | ±0.25 | APPLICATION SPEC | CAGE CODE: 2057736 |
| 2 PLC | ±0.13 | WEIGHT | RESTRICTED TO |
| 3 PLC | ± | Customer Drawing | SCALE: 6:1 |
| 4 PLC | ± | | SHEET 1 OF 2 |
| ANGLES | ± | | REV: C1 |
| FINISH | SEE TABLE | | |

THIS DRAWING IS UNPUBLISHED. RELEASED FOR PUBLICATION 20
 © COPYRIGHT 20 BY - ALL RIGHTS RESERVED.

| LOC | DIST | REVISIONS | | | | | |
|-----|------|-----------|-----|-------------|------|-----|------|
| | | P | LTN | DESCRIPTION | DATE | DMN | APVD |
| AD | 00 | - | - | SEE SHEET 1 | - | - | - |
| | | | | | | | |
| | | | | | | | |

| FINISH | DIM M | PART NUMBER |
|-------------|-------|-------------|
| \triangle | 5.5 | 2057736-3 |
| \triangle | 4.9 | 2057736-2 |
| \triangle | 4.5 | 2057736-1 |

REFER TO WWW.TE.COM
FOR PRODUCT AVAILABILITY

| | | | |
|---|--|-------------------------|---|
| THIS DRAWING IS A CONTROLLED DOCUMENT. | | DMN R. COELLO 27APR2011 | |
| | | CHK J. EARY 27APR2011 | |
| DIMENSIONS: mm | | APVD J. EARY 27APR2011 | NAME IMPACT, 2 PAIR, 16 COLUMN, HEADER LEFT GUIDED, OPEN END WALL SIGNAL MODULE, 0.46 PTH |
| TOLERANCES UNLESS OTHERWISE SPECIFIED: 0 PLC ± 1 PLC ±0.25 2 PLC ±0.13 3 PLC ± 4 PLC ± ANGLES ± | | PRODUCT SPEC | |
| MATERIAL - | | APPLICATION SPEC | SIZE CAGE CODE DRAWING NO RESTRICTED TO |
| FINISH SEE TABLE | | WEIGHT - | A100779C=2057736 |
| | | Customer Drawing | SCALE 5:1 SHEET 2 OF 2 REV C1 |