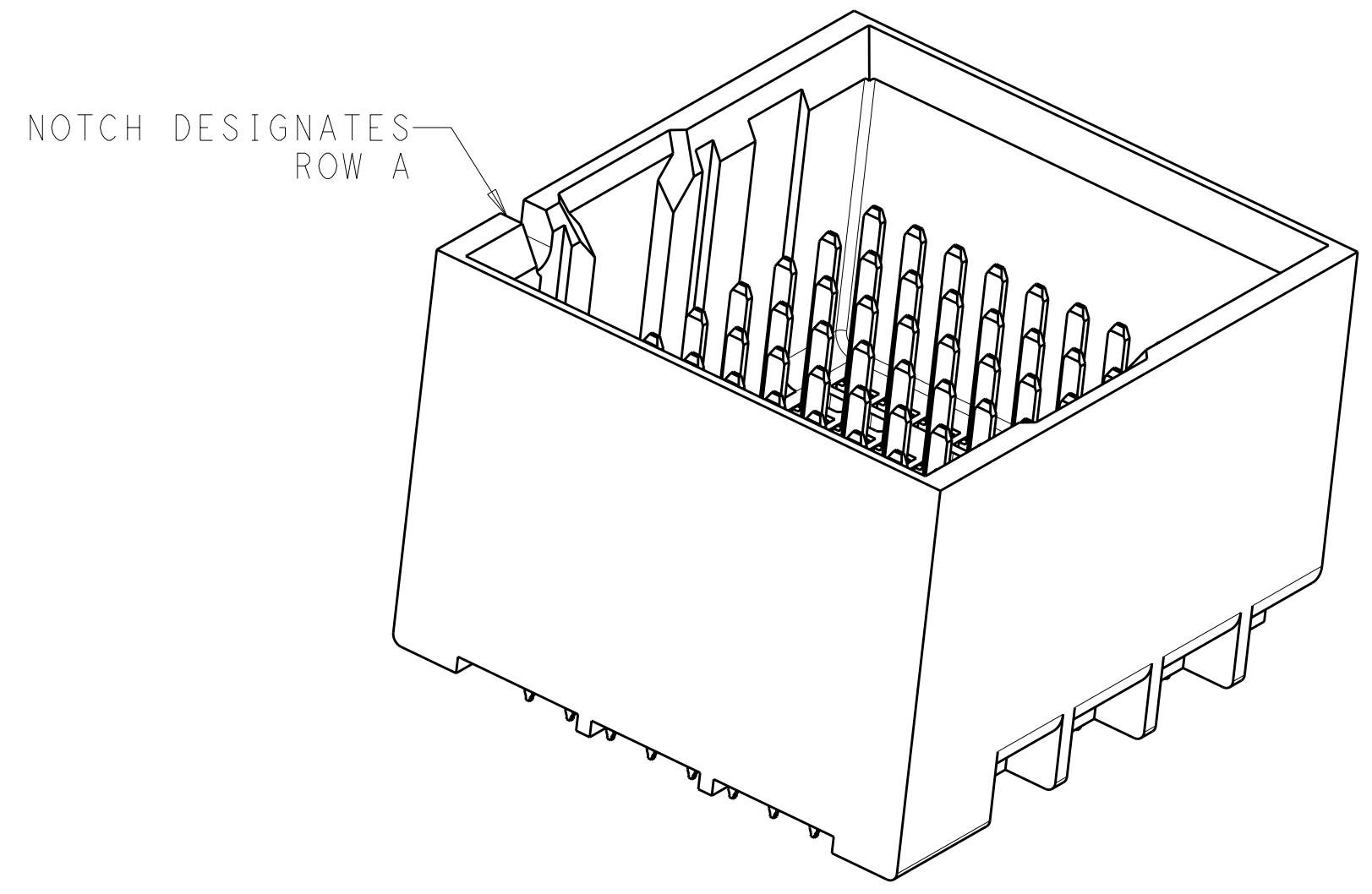
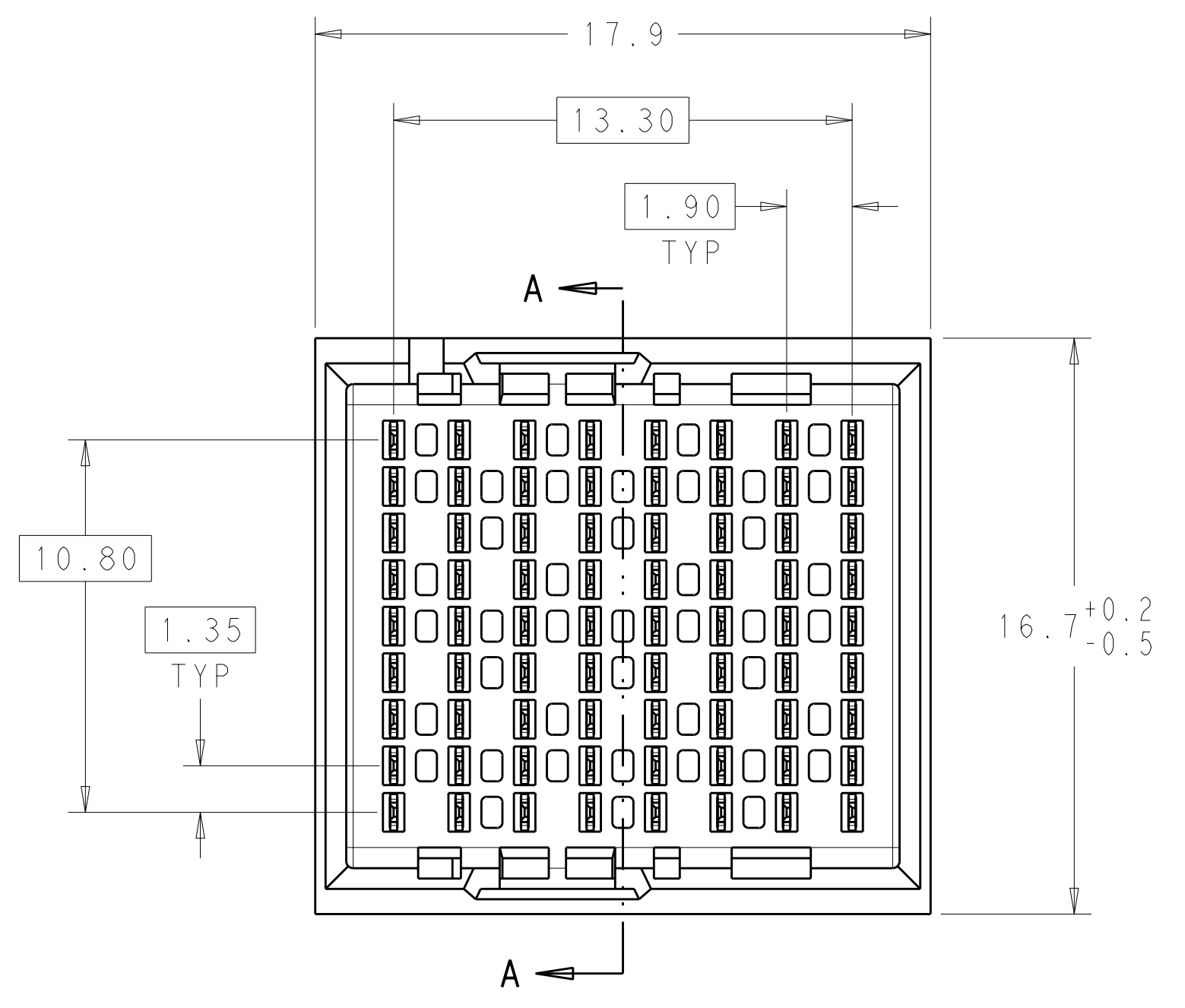
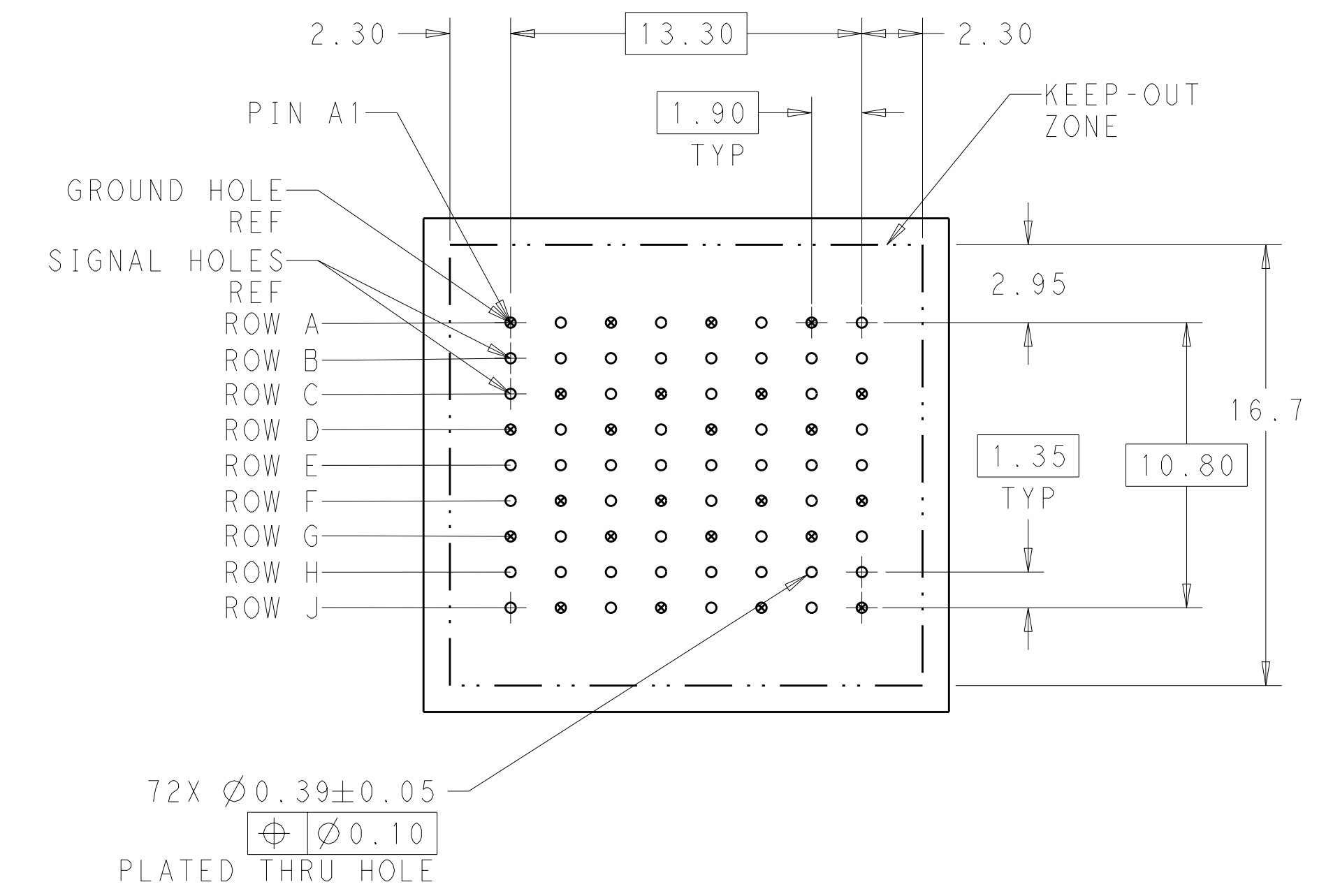


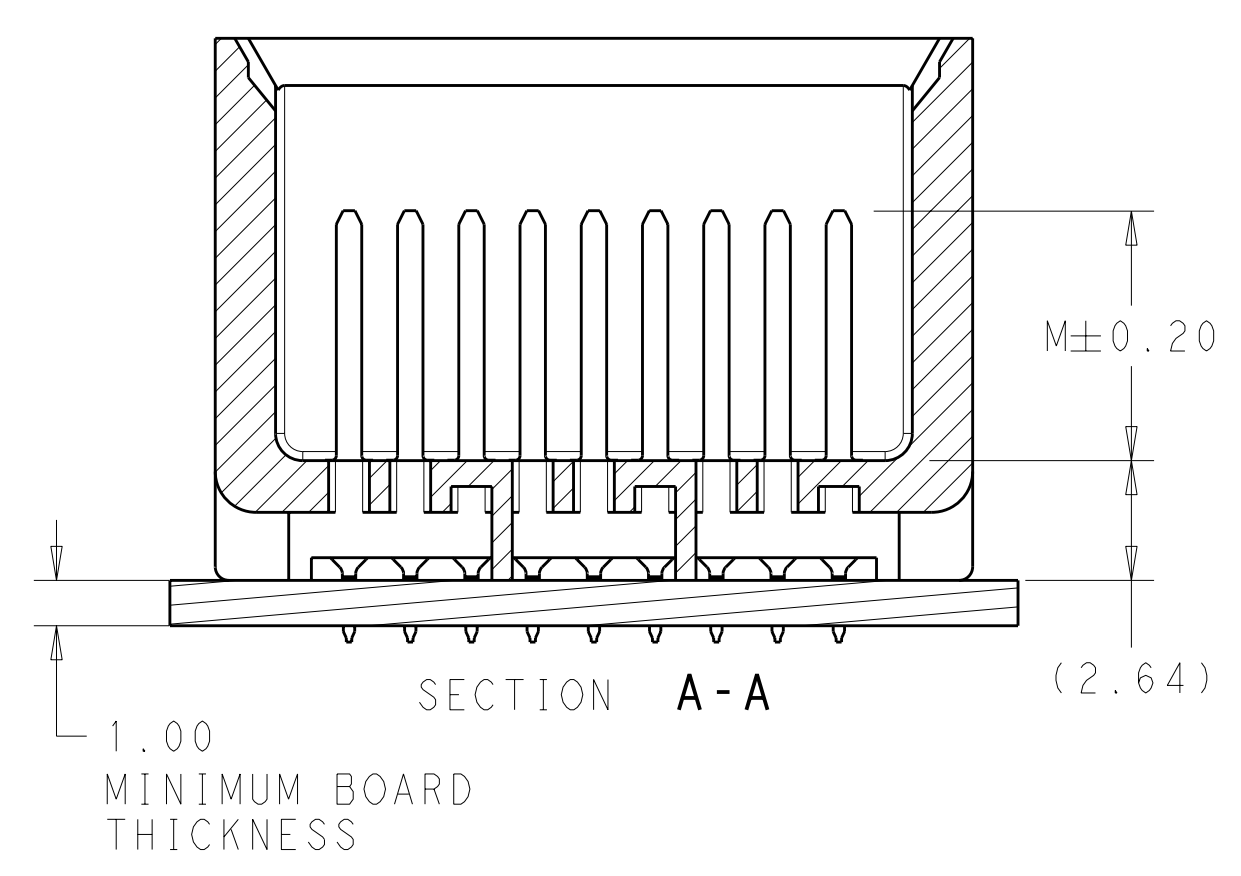
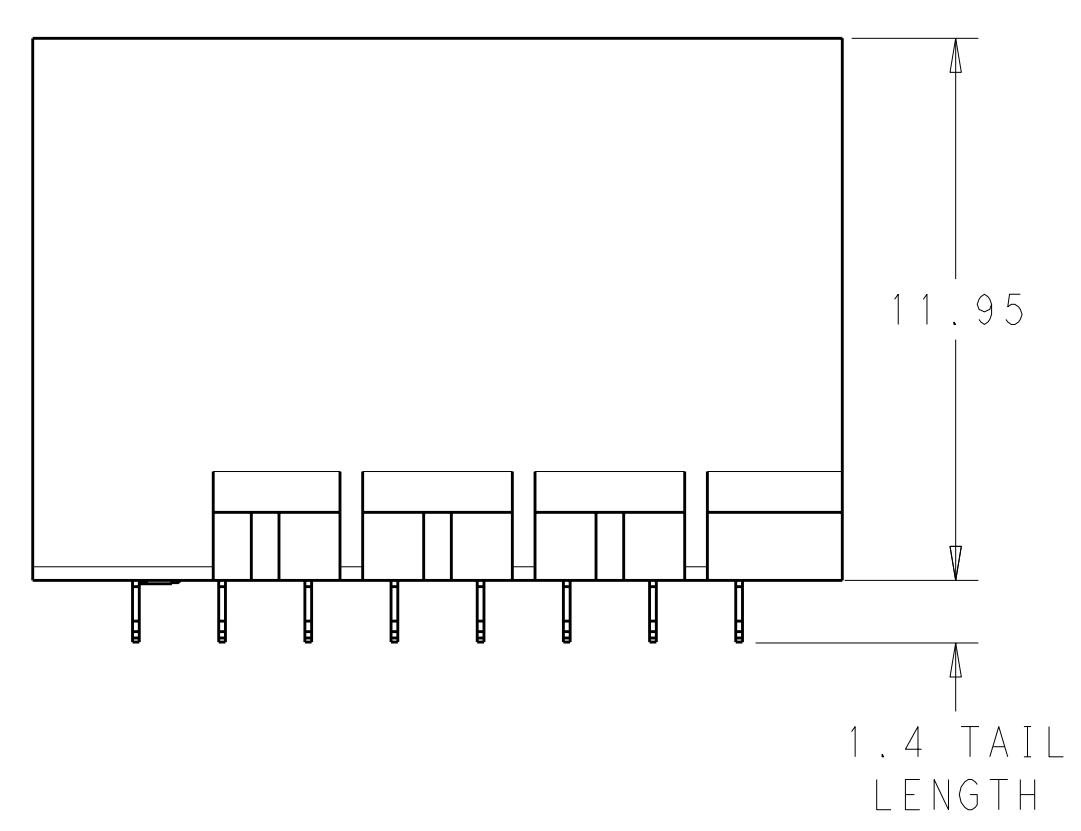
LOC	DIST	REV	DATE	BY	APPD
AD	00	C	05JAN2012	KH	DY
		REVISIONS			
		DESCRIPTION	DATE	DWN	APPD
		REVISD PER ECO-11-025276	05JAN2012	KH	DY



- 1 MATERIAL:  
HOUSING: LCP, GLASS FILLED, UL94V-0.  
TERMINALS: HIGH PERFORMANCE COPPER ALLOY.
- 2 FINISH:  
30μ" MIN GOLD IN CONTACT AREA. SELECTIVE TIN  
ON PCB TAILS, NICKEL OVERALL.
- 3 FINISH:  
30μ" MIN GOLD IN CONTACT AREA. SELECTIVE TIN-LEAD  
ON PCB TAILS, NICKEL OVERALL.



UNGUIDED  
BACKPLANE HOLE PATTERN  
(CONNECTOR SIDE)




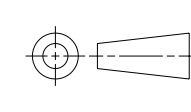
THIS DRAWING IS A CONTROLLED DOCUMENT.		DWN J. K. SHOBER 11JAN2011	TE Connectivity
DIMENSIONS: mm		CHK J. EARY 11JAN2011	
TOLERANCES UNLESS OTHERWISE SPECIFIED:		APVD J. EARY 11JAN2011	NAME
0 PLC ±		PRODUCT SPEC	IMPACT, 3 PAIR, 8 COLUMN, HEADER
1 PLC ±0.25		APPLICATION SPEC	UNGUIDED, DUAL END WALL
2 PLC ±0.13		WEIGHT	SIGNAL MODULE, 0.39 PTH
3 PLC ±		SCALE	6:1
4 PLC ±		SHEET	1 OF 2
ANGLES ±		REV	C
MATERIAL	FINISH SEE TABLE	CUSTOMER DRAWING	
SIZE CAGE CODE DRAWING NO		A100779C=2057766	

THIS DRAWING IS UNPUBLISHED. RELEASED FOR PUBLICATION 20  
 © COPYRIGHT 20 . . . ALL RIGHTS RESERVED.

LOC	DIST	REVISIONS					
AD	00	P	LTG	DESCRIPTION	DATE	DWN	APVD
		-	-	SEE SHEET 1	-	-	-

FINISH	DIM M	PART NUMBER
$\triangle_3$	5.5	2057766-6
$\triangle_3$	4.9	2057766-5
$\triangle_3$	4.5	2057766-4
$\triangle_2$	5.5	2057766-3
$\triangle_2$	4.9	2057766-2
$\triangle_2$	4.5	2057766-1

REFER TO WWW.TE.COM  
FOR PRODUCT AVAILABILITY

THIS DRAWING IS A CONTROLLED DOCUMENT.		DWN J. K. SHOBER 11JAN2011	 TE Connectivity
DIMENSIONS: mm		CHK J. EABY 11JAN2011	
		APVD J. EABY 11JAN2011	NAME IMPACT, 3 PAIR, 8 COLUMN, HEADER UNGUIDED, DUAL END WALL SIGNAL MODULE, 0.39 PTH
TOLERANCES UNLESS OTHERWISE SPECIFIED: 9 PLC ± 7 PLC ±0.25 5 PLC ±0.13 4 PLC ± ANGLES ±		PRODUCT SPEC -	RESTRICTED TO
MATERIAL -		APPLICATION SPEC -	SIZE CAGE CODE DRAWING NO A100779C=2057766
FINISH SEE TABLE		WEIGHT -	SCALE 5:1 SHEET 2 OF 2 REV C
CUSTOMER DRAWING			