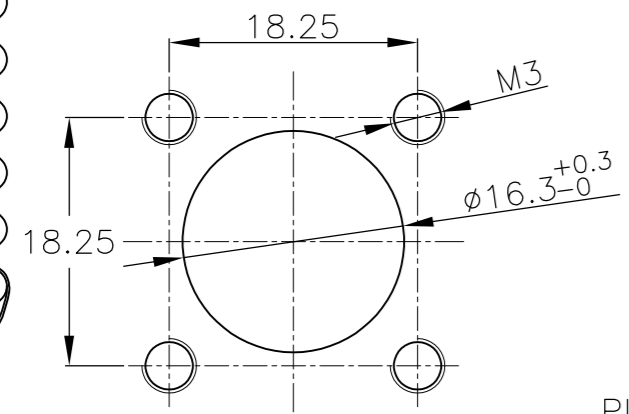
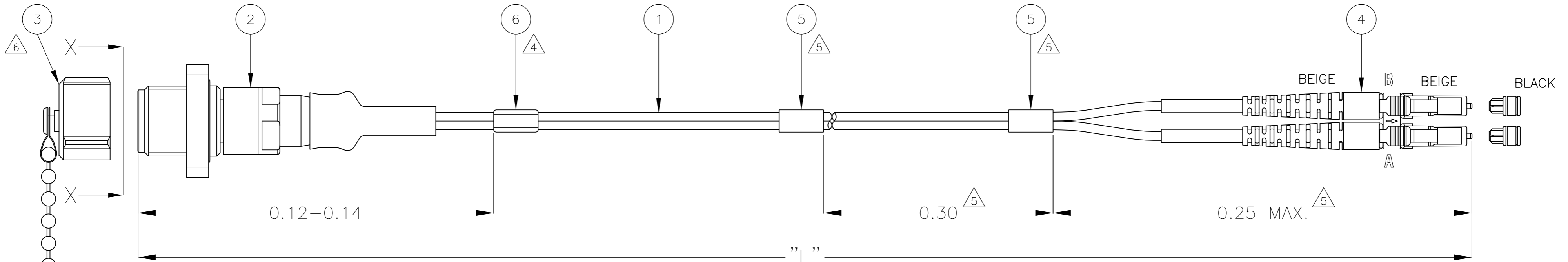
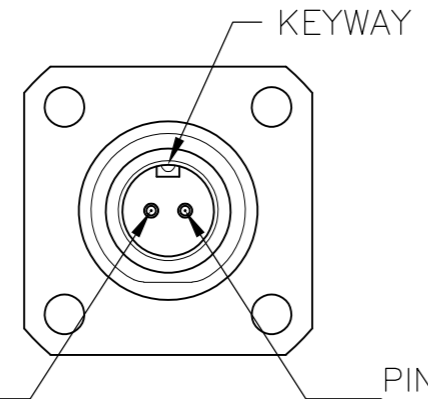


THIS DRAWING IS UNPUBLISHED. RELEASED FOR PUBLICATION
 © COPYRIGHT - By - ALL RIGHTS RESERVED.

LOC	DIST	REVISIONS			
P	LTR	DESCRIPTION	DATE	DWN	APVD
H	-	C	ECR-11-005403	01APR2011	RC AH



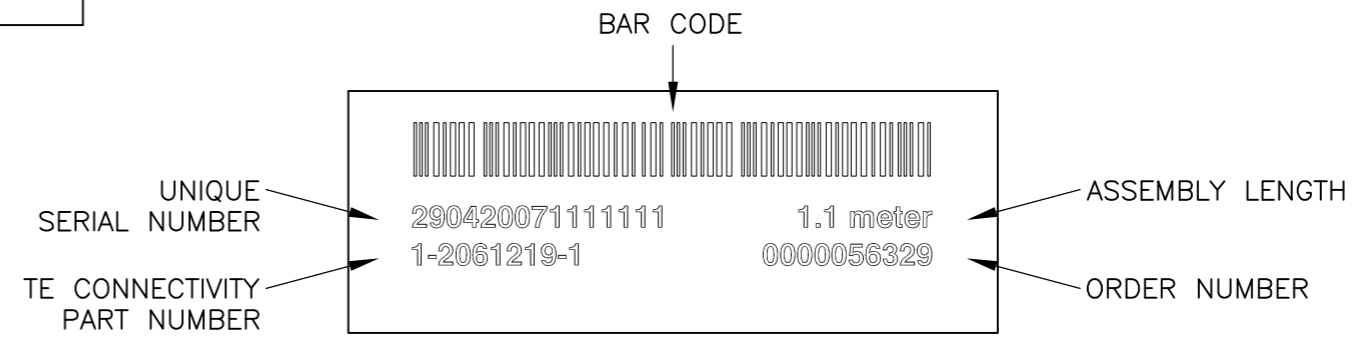
PANEL CUT OUT DIMENSIONS IN "mm" (NOT TO SCALE)



VIEW X-X (NOT TO SCALE)

FIBER CONNECTIVITY	
ODC SOCKET	LC CONN.
PIN 1	A
PIN 2	B

LABEL DETAIL: 4



NOTES:

- 1 REFER TO TE CONNECTIVITY CUSTOMER DRAWING 2064160 FOR CABLE ASSEMBLY LOSS AND WAVELENGTHS THAT CABLE ASSEMBLY LOSS WILL BE TESTED TO
- 2 MINIMUM RETURN LOSS: 20 dB FOR BOTH ODC AND LC DUPLEX CONNECTOR RETURN LOSS WILL BE TESTED AT 850 nm AND 1300 nm WAVELENGTHS
- 3 STANDARD LENGTHS AND LENGTH TOLERANCE ACC. TO TE CONNECTIVITY CUSTOMER DRAWING 1985945
- 4 INFORMATION ON LABEL SEE DETAIL:
 - BARCODE
 - UNIQUE SERIAL NUMBER
 - ASSEMBLY LENGTH
 - TE CONNECTIVITY PART NUMBER
 - TE CONNECTIVITY ORDER NUMBER
- * FOR L < 0.4 METER LABEL IS PLACED INSIDE OR WITH THE UNIT PACKAGE
- 5 ONE PIECE OF ITEM 5 IS PLACED AT THE BREAKOUT POINT OF THE ASSEMBLY OTHER PIECES REPEATED AT APPROXIMATELY 0.30 METER FROM EACH OTHER
- * BREAKOUT DIMENSION DOES NOT APPLY FOR L < 0.4 METER
- 6 THE DUST CAP CHAIN WILL NOT BE ATTACHED TO THE CABLE

STANDARD LENGTHS ACCORDING TO CUSTOMER DRAWING 1985945	
PART NUMBER	"L" (meter) 3
X-2061219-Y	X.Y0

Qty	Description	Item
1	FOAC INFORMATION LABEL	6
5	AR FOAC EXPANDABLE TUBING, BLACK	5
1	LC DUPLEX CONNECTOR ASSEMBLY, MULTI MODE, BEIGE	4
1	FOAC ODC CAP SOCKET PLASTIC WITH CHAIN	3
1	FOKIT ODC SOCKET ASSEMBLY, 2 FIBER, MULTI MODE	2
L	FOCAB ODC 1.9 mm 2FOLD, MULTI MODE 50/125, ORANGE	1

ODC IS A TRADEMARK OF HUBER & SUHNER AG CORPORATION

THIS DRAWING IS A CONTROLLED DOCUMENT.		DWN R. COOLEN 04JUN2009		
DIMENSIONS: METERS		CHK A. HENGELMOLEN 12JUN2009		
TOLERANCES UNLESS OTHERWISE SPECIFIED:		APVD A. HENGELMOLEN 12JUN2009	NAME	
0 PLC ± -		PRODUCT SPEC	FIBER OPTIC ODC LEAD	
1 PLC ± -		APPLICATION SPEC	2 FOLD SOCKET - LC DUPLEX	
2 PLC ± -		WEIGHT	SIZE A2	CAGE CODE 00779
3 PLC ± -		FINISH	DRAWING NO C=2061219	RESTRICTED TO
4 PLC ± -		MATERIAL	SCALE NTS	SHEET 1 of 1
ANGLES ± -		CUSTOMER DRAWING	REV C	