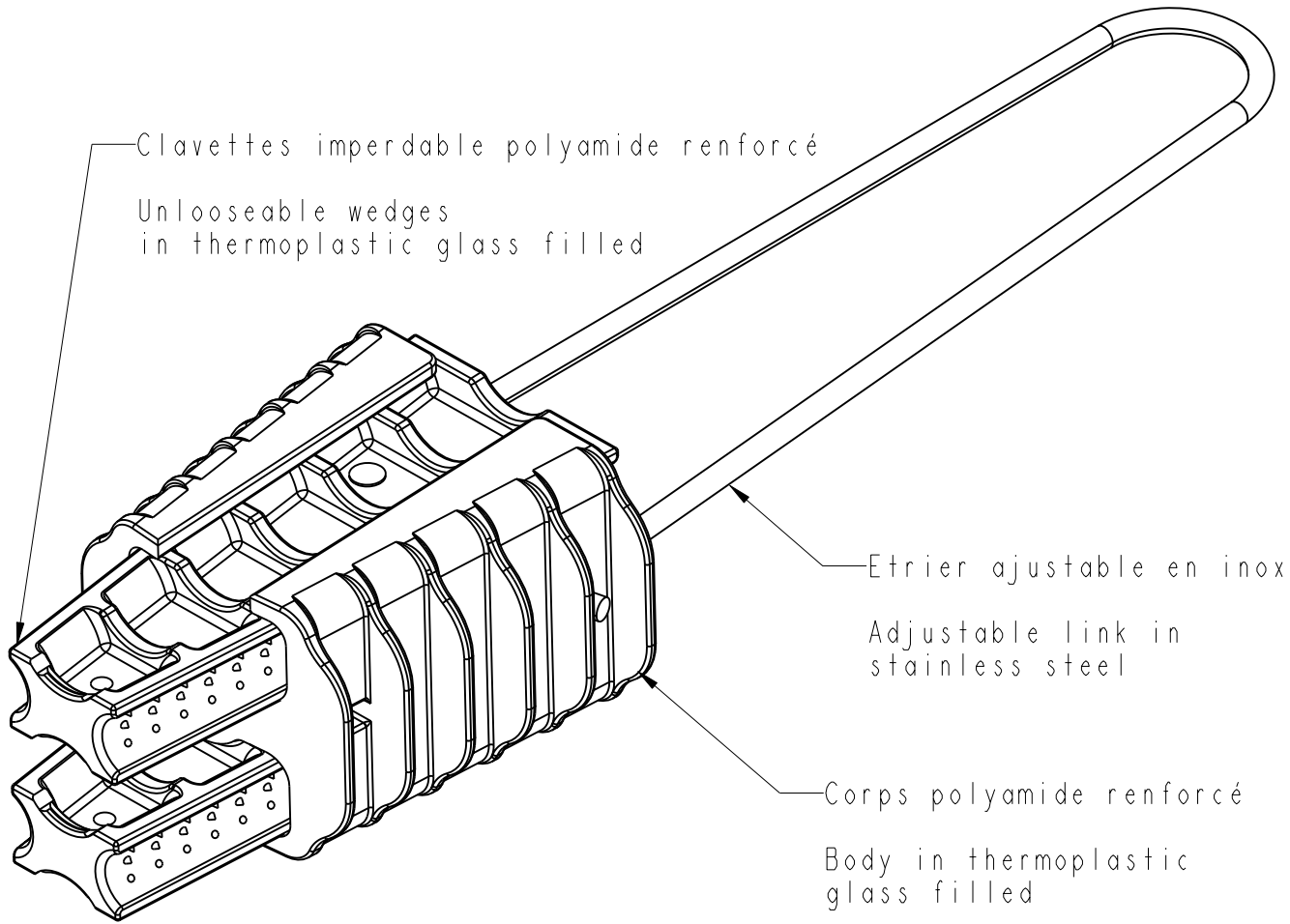
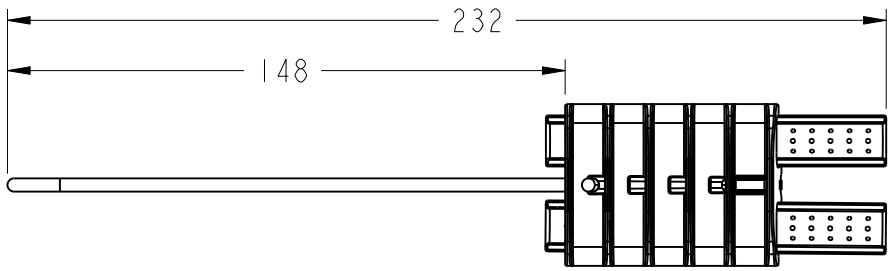
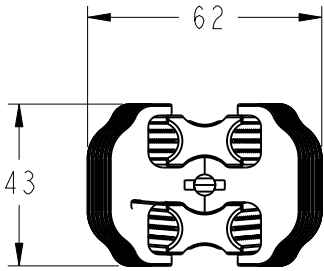


LOC	DIST	REVISIONS				
P	LTR REV	DESCRIPTION MODIFICATIONS	DATE	DWN DESS.	APVD APP.	
FH	2	A	CREATION	13/09/11	JB	AG



ECHELLE 1:1

PA25x10	2062047-1	2-4x16 to 25	TOLERANCES UNLESS OTHERWISE SPECIFIED: - TOLERANCES NON SPECIFIEES: -			
DESCRIPTION	PART NUMBER	CAPACITES(mm ²)	FINISH FINITION -			
DIMENSIONS: mm	DWN /DESSINE J.BERLAND 13/09/11	MATERIAL MATIERE -	NAME TITRE PA25x10			
TOLERANCES UNLESS OTHERWISE SPECIFIED: TOLERANCES NON SPECIFIEES (SUIV NB DE DECIMALES): 0 PLC /DEC ±0 1 PLC /DEC ±0 2 PLC /DEC ±0 3 PLC /DEC ±0 4 PLC /DEC ±0 ANGLES ±-	CHK /VERIFIE A GUICHARD	Tyco Electronics SIMEL PRODUCTS	SIZE FORMAT A4			
	APVD /APPROUVE G NEDELEC		CAGE CODE -	DRAWING NO No PLAN C-2062047		
	PRODUCT SPEC SPEC. PRODUIT -	APPLICATION SPEC SPEC. APPLICATION -	RESTRICTED TO RESERVE A -	CUSTOMER DRAWING /PLAN CLIENT		
	WEIGHT MASSE APPROX. 115 g	UNIQUEMENT POUR REFERENCE		SCALE ECHELLE : 3	SHEET FEUILLE	OF DE

20

RELEASED FOR PUBLICATION

LIBRE A LA DISPOSITION BY TYCO ELECTRONICS CORPORATION. ALL RIGHTS RESERVED.

©

THIS DRAWING IS UNPUBLISHED. DRECESSION RESTREINTE. TOUS DROITS RESERVES.

