

THIS DRAWING IS UNPUBLISHED.
DIFFUSION RESTREINTE

RELEASED FOR PUBLICATION
LIBRE A LA DIFFUSION

2011

© COPYRIGHT 2011 BY -

ALL RIGHTS RESERVED.
TOUS DROITS RESERVES

REVISIONS

P	LTR REV	DESCRIPTION MODIFICATIONS	DATE	DWN DESS.	APVD APP.
	A	CREATION	09JUN2016	JB	GN

ECHELLE 3:5

2062463-1

SHEAR HEAD ELEMENT: 40Nm
(zamak)

WASHER
(protected steel)

CONNECTING
BRIDGE
(Tinned copper)

UPPER BODY
(plastic)

GRAISSE
(grease)

END CAPS
(elastomere)

INSULATED JOINT
(elastomere)

PRESSURE PLATE
(protected steel)

LOWER BODY
(plastic)

BOLT
(protected steel)

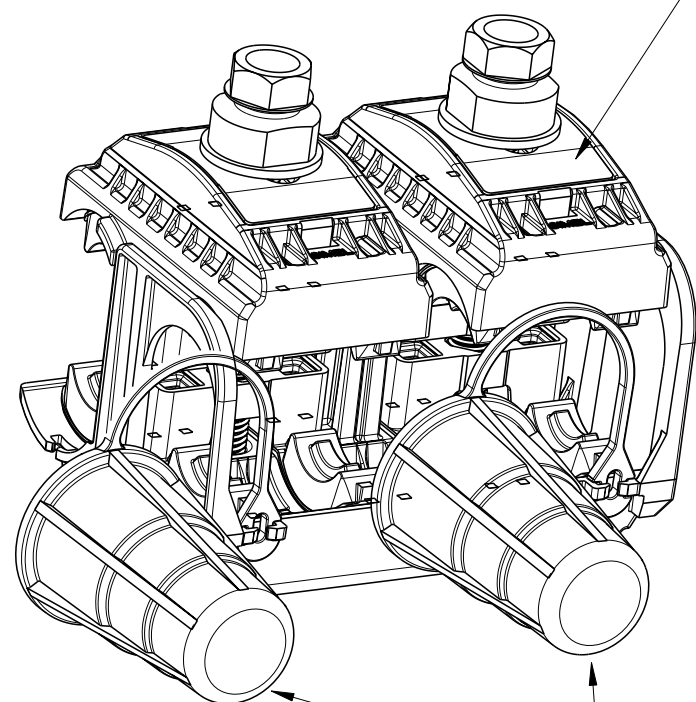
PRESSURE PLATE
(protected steel)

REFERENCE	PN	CAPACITIES MAIN mm ²	CAPACITIES TAP mm ²	END CAP
MV300-240	2062463-1	185-300	150-240(300)	1
MV300-240 LAM	2062463-2	185-300	150-240(300)	2

MARKING:


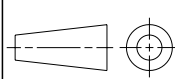
MV300-240 LAM 15kV
185-300
150-240(300)
TE SIMEL
Batch number(example: 0616AK)

TOLERANCES UNLESS
OTHERWISE SPECIFIED
TOLERANCES NON SPECIFIEES: -



2062463-2

2 END CAPS
(elastomere)

THIS DRAWING IS A CONTROLLED DOCUMENT. CE PLAN EST UN DOCUMENT CONTROLE PAR TYCO ELECTRONICS CORPORATION IL EST SUSCEPTIBLE D'ETRE REVISE. POUR OBTENIR LA DERNIERE REVISION, CONTACTER LE SERVICE TECHNIQUE DE TYCO ELECTRONICS SIMEL SAS, 21220 GEVREY-CHAMBERTIN, FRANCE.		DWN/DESSINE BERLAND	09JUN2016	 TE Connectivity	
DIMENSIONS: mm		CHK/VERIFIE SHI	APVD/APPROUVE MITCHEL		
		TOLERANCES UNLESS OTHERWISE SPECIFIED: TOLERANCES NON SPECIFIEES (SUIV NO DE DECIMALES): 0 PLC/DEC: ±0 1 PLC/DEC: ±0 2 PLC/DEC: ±0 3 PLC/DEC: ±0 4 PLC/DEC: ±0 ANGLES ±		PRODUCT SPEC SPEC. PRODUIT -	APPLICATION SPEC SPEC. APPLICATION -
MATERIE	-	FINISH FINITION	-	WEIGHT MASSE APPROX.	990g
-		-		SIZE FORMAT	A3
-		-		CAGE CODE	-
-		-		DRAWING NO No PLAN	C=2062463
-		-		RESTRICTED TO RESERVE A	-
-		-		CUSTOMER DRAWING /PLAN CLIENT	UNIQUEMENT POUR REFERENCE
-		-		SCALE ECHELLE	1:5
-		-		SHEET FEUILLE	1 OF DE 1
-		-		REV	A