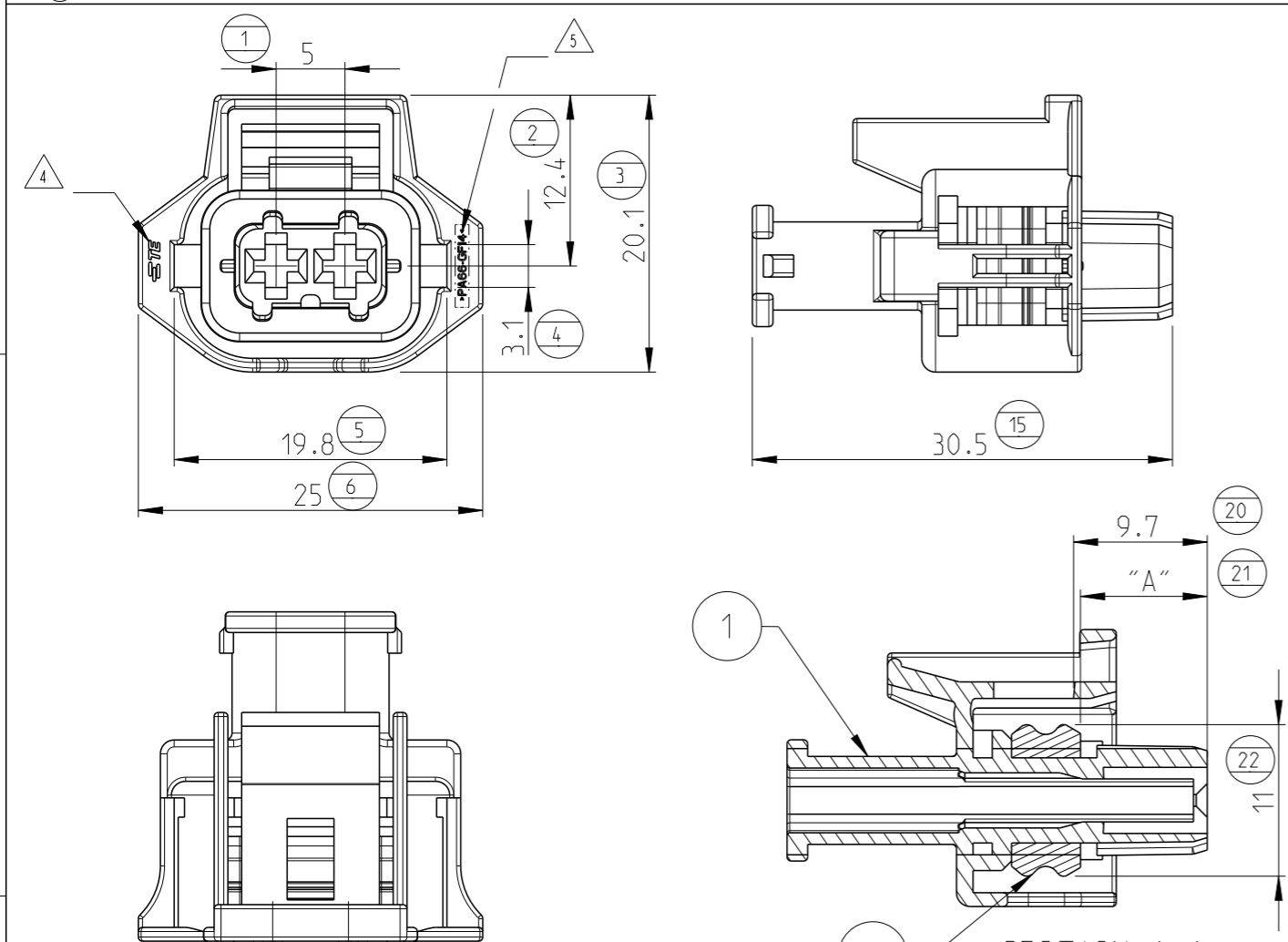


THIS DRAWING IS UNPUBLISHED. RELEASED FOR PUBLICATION 20
 © COPYRIGHT 20 BY - ALL RIGHTS RESERVED.

LOC	DIST	REVISIONS			
P	LTR	DESCRIPTION	DATE	DWN	APVD
IT	-	A	INITIAL RELEASE	12 OCT 12	MK RK



NOTE:

- CODING IS AS FOLLOWS SEE (TABLE 1)
- MOLD CAVITY IDENTIFICATION.
- CIRCUIT ID
- TE LOGO.
- MATERIAL ID: PA66 GF14%.
25% MAXIMUM PERMITTED REGRIND MATERIAL PROCESSED IN CLOSED LOOP.

- APPLICABLE CONTACT TERMINAL (TIN PLATED) STANDARD RECEPTACLE CONTACTS
 P/N: 967702-1 (0.5-1mm² WIRE RANGE)
 P/N: 967703-1 (1.5 -2.5 mm² WIRE RANGE)
 SINGLE WIRE SEALING
 P/N: 967541-1 (0.35-0.5 mm² WIRE RANGE)
 P/N: 967542-1 (0.5- 1.0 mm² WIRE RANGE)
 P/N: 967543-1 (1.5-2.5 mm² WIRE RANGE)

(TABLE 1)

CODE I : 2066034-1 CODE I : 2066034-2	CODE II : 2066034-3
CODE III : TBD	CODE IV : TBD

2	SIGNAL GREY (RAL 7004)	SILICON	INNER SEAL	936800-3	A	1		
2	ULTRAMARINE BLUE (RAL 5002)	SILICON	INNER SEAL	936800-2	B		1	
2	RED ORANGE (RAL 2001)	SILICON	INNER SEAL	936800-1	B			1
1	BLACK	PA66 GF14%	PLUG HSG	2066035-2	A	1		
1	BLACK	PA66 GF14%	PLUG HSG	2066035-1	A		1	1
NO	COLOR	MATERIAL	DESCRIPTION	P/N	REV	Q'TY		

"A"	P/N
8.1	2066034-1
9.0	2066034-2
9.0	2066034-3

THIS DRAWING IS A CONTROLLED DOCUMENT.

DWN: MANISH K 10 OCT 12
 CHK: SAMEER T 10 OCT 12
 APVD: RAMESHKUMAR R 12 OCT 12

NAME: 2.8mm SEALED 2P PLUG ASSEMBLY (FLAT SENSOR CONNECTOR)

TE Connectivity

SIZE: A3 CAGE CODE: 00779 DRAWING NO: C-2066034

WEIGHT: 2.9 gm

Customer Drawing SCALE: 2/1 SHEET: 1 OF 1 REV: A