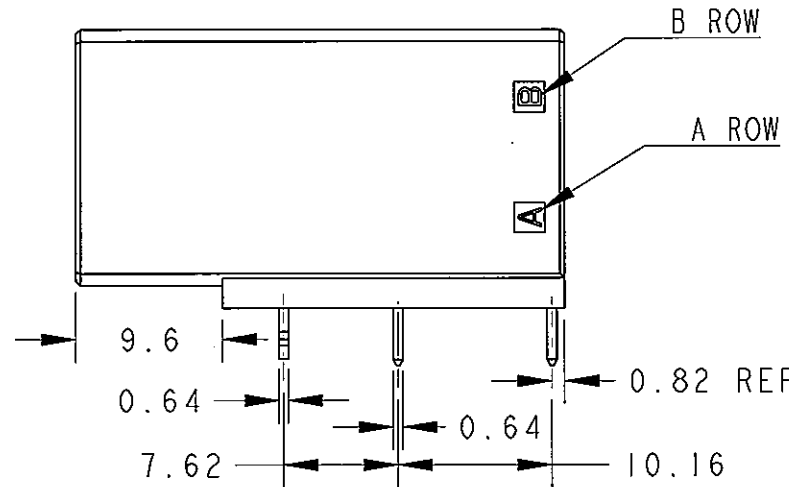
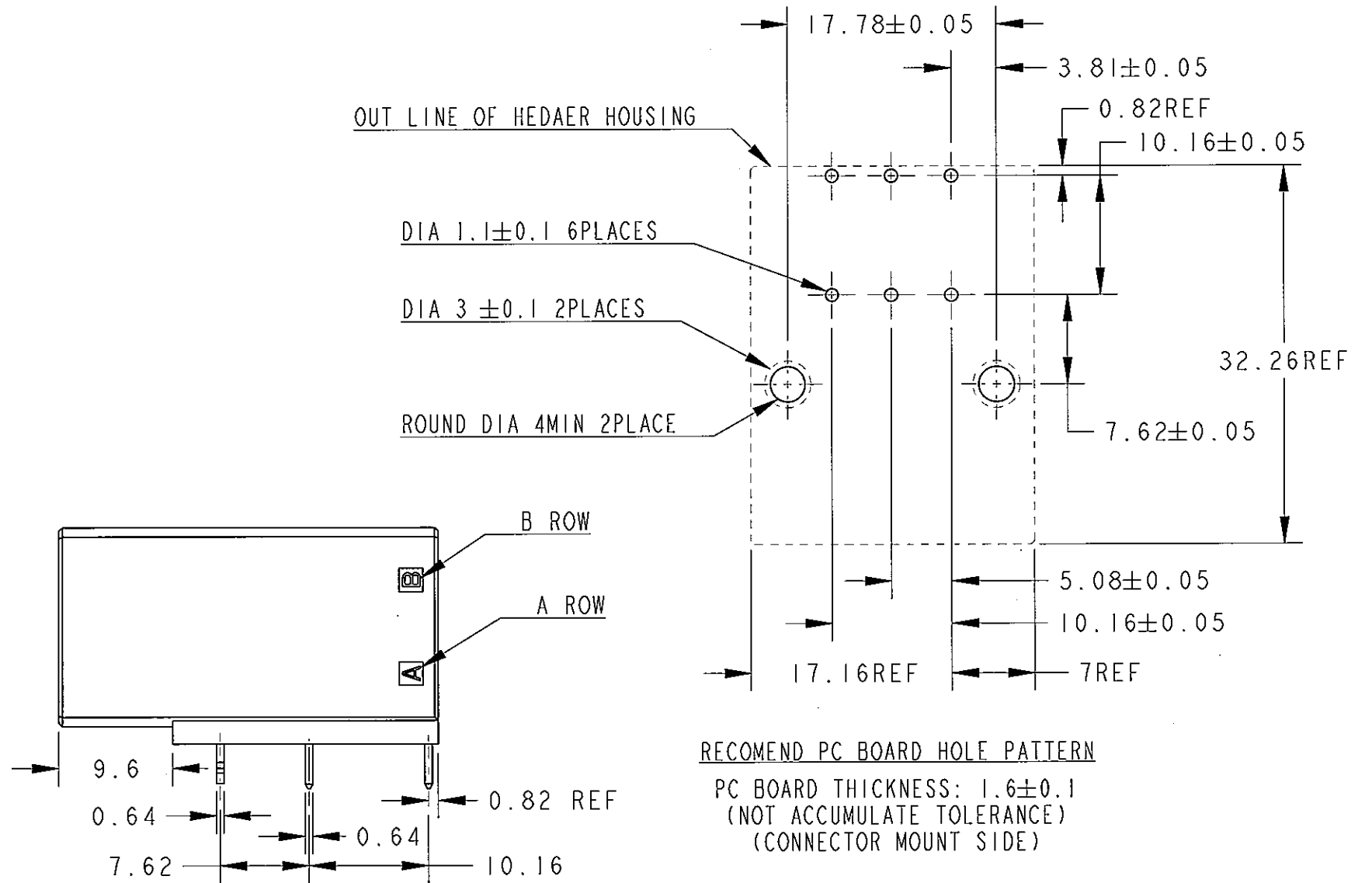
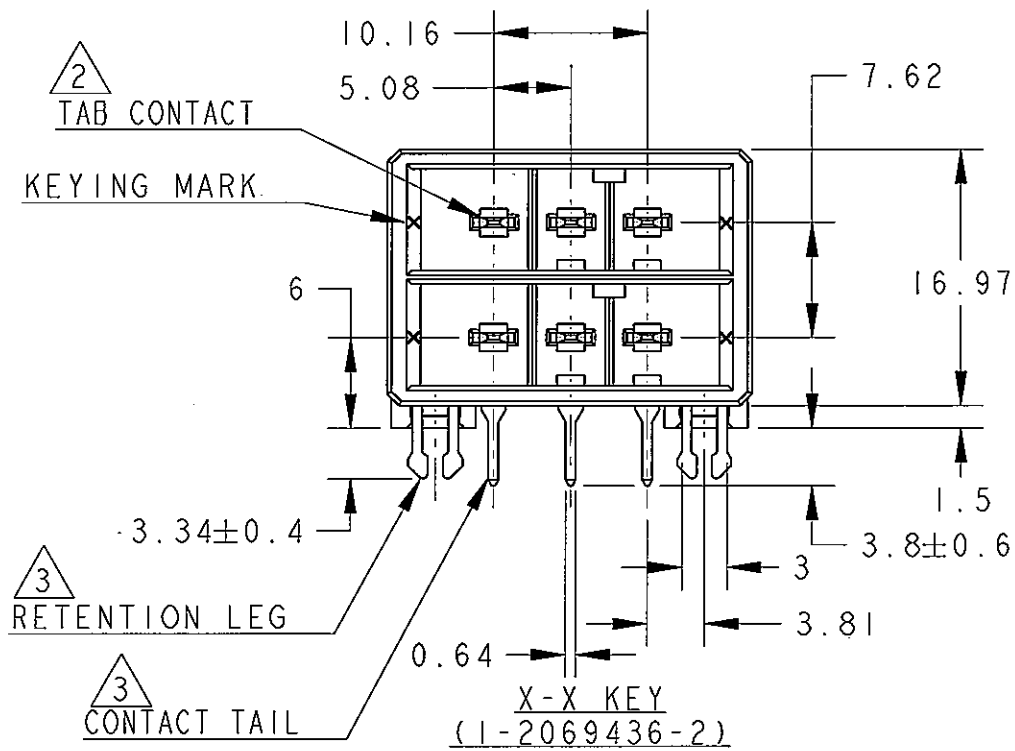
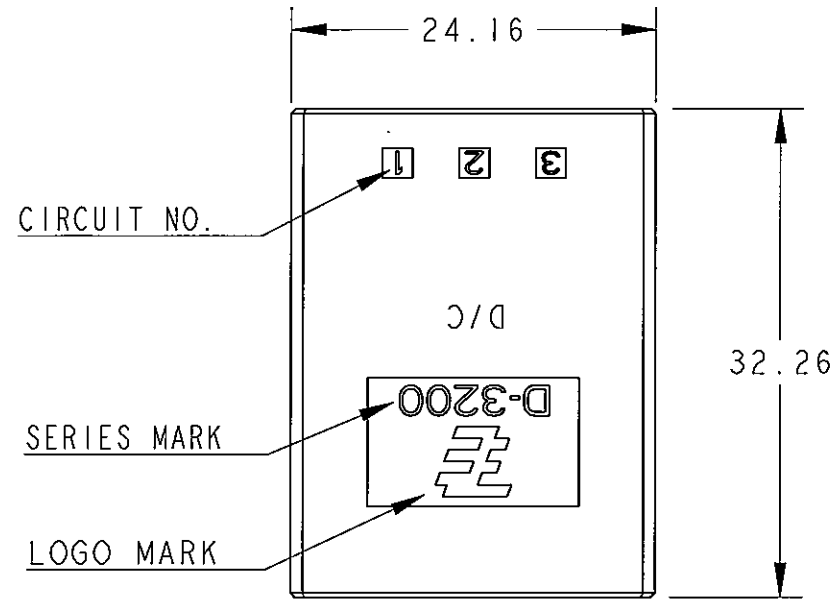


THIS DRAWING IS UNPUBLISHED. RELEASED FOR PUBLICATION 20
 © COPYRIGHT 20 BY TYCO ELECTRONICS CORPORATION. ALL RIGHTS RESERVED.

LOC	DIST	REVISIONS			
P	LTR	DESCRIPTION	DATE	DWN	APVD
J	-	A	RELEASE	11MAY2010	T.K N.Y



2ND ROW		X	X	XX	1-2069436-2
1ST ROW					
KEYING LOCATION		1ST ROW	2ND ROW	KEYING NAME	PART NUMBER
		KEYING CHATACTOR			

NOTES
 1. MATERIAL: HOUSING: GLASS FIBER THERMO PLASTIC, POLYESTER (UL94V-0)
 COMPARATIVE TRACKING INDEX: MATERIAL GROUP II (CTI=II) OR MORE
 CTI=400 OR MORE
 COLOR: NATURAL
 CONTACT: COPPER ALLOY
 RETENTION LEG: COPPER ALLOY
 2 FINISH (CONTACT AREA): 0.38μm MIN GOLD PLATING OVER Ni PLATING
 3 FINISH (RETENTION LEG): TIN PLATED (CONTACT TAIL) OVER NICKEL

THIS DRAWING IS A CONTROLLED DOCUMENT FOR TYCO ELECTRONICS CORPORATION IT IS SUBJECT TO CHANGE AND THE CONTROLLING ENGINEERING ORGANIZATION SHOULD BE CONTACTED FOR THE LATEST REVISION.		DWN T. KUDO 11MAY2010	Tyco Electronics Corporation Kawasaki, Japan	
DIMENSIONS: 单位: 耗 mm		CHK N. YAMASAKI 11MAY2010	NAME 名称	
TOLERANCES UNLESS OTHERWISE SPECIFIED: 一般公差 ±0.45, ±3°		APVD N. YAMASAKI 11MAY2010	DYNAMIC 3200M CONN. LONG DISTANCE HORIZONTAL HDR. ASS'Y 6POS (CTI=II)	
0-PLC ± 1-PLC ± 2-PLC ± 3-PLC ± 4-PLC ± ANGLES ±		PRODUCT SPEC 108-5349-1	SIZE A3	CAGE CODE 00779
MATERIAL 材料 SEE NOTE		FINISH 仕上 SEE NOTE	DRAWING NO 2069436	RESTRICTED TO -
		WEIGHT -	SCALE 尺度 2:1	
		CUSTOMER DRAWING		SHEET 1 OF 1
				REV A