

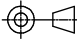


CODE 21 - BRAID TAIL BACKSHELL

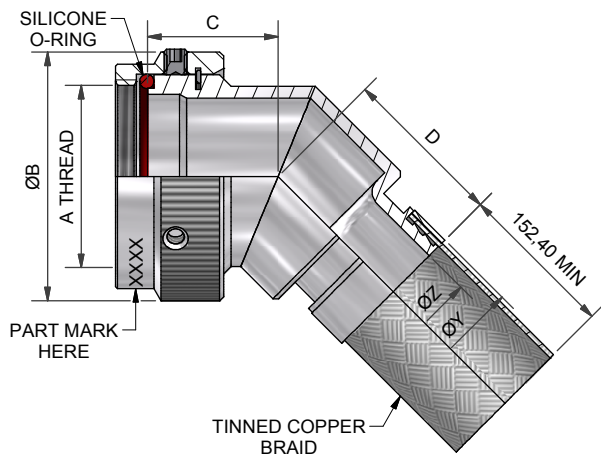
206M116-19B08

SERIES _____
 SHELL SIZE (TABLE 1) _____
 MATERIAL _____
 REFER TO CH00-0250-004
 FINISH _____
 REFER TO CH00-0250-004
 ENTRY SIZE (TABLE 2) _____
 MODIFICATION CODE _____
 REFER TO CH00-0250-004 (2)

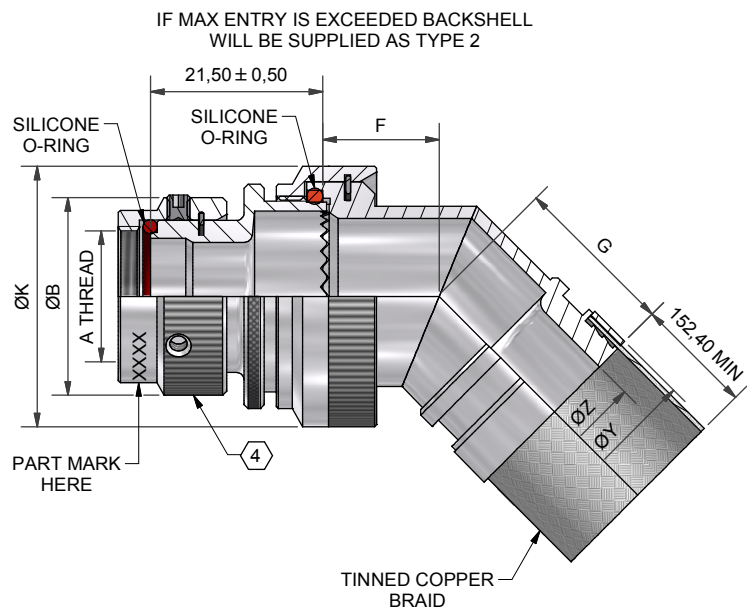
NOTES:

1. THIS PRODUCT IS DESIGNED TO TERMINATE A HEAT SHRINKABLE LIPPED BOOT TO A CONNECTOR.
- (2) FOR ADDITIONAL DIMENSIONS, ORDERING INFORMATION AND MODIFICATIONS, SEE CH00-0250-004
3. BACKSHELL TO BE PERMANENTLY MARKED/BAGGED AND LABELLED WITH CODE IDENTIFICATION NUMBER AND PART NUMBER. (e.g. 06090-206M112-19B08).
- (4) WHEN ENTRY SIZE EXCEEDS "MAX ENTRY", A 2 PIECE BACKSHELL (TYPE 2) IS SUPPLIED.
5. BRAID TERMINATION RING MAY BE SUPPLIED AS TINEL-LOCK SHAPE MEMORY RING AT MANUFACTURERS OPTION.
6. BACKSHELL MATES TO MIL-DTL-26482 SERIES I, MS3110, MS3116, MS3120, MS3126 CLASS E AND F CONNECTORS.
- (7) ANTI-ROTATIONAL SET SCREW, 3 THREADED HOLES $120^\circ \pm 5^\circ$ APART, SINGLE MATING SET SCREW SUPPLIED.

| | | | | | | |
|--|---------------------------|---------------------------|--|--|--|--|
| DRAWN | B.VESA | DATE 22/07/2015 |  3RD ANGLE PROJECTION NOT TO SCALE <small>UNLESS OTHERWISE SPECIFIED ALL DIMENSIONS IN MILLIMETRES GENERAL TOL LINEAR +/-0.25MM ANGULAR +/- 1°</small> | TITLE: |  BRAID TAIL BACKSHELL (CODE 21) | |
| CHECKED | | 22/07/2015 | | | | |
| APPROVED | K.SHEPPARD | 27/07/2015 | | | ASSY USED ON: |  MIL-DTL-26482 SERIES I |
| APPROVED | H.SMITH | 09/10/2015 | | | | |
| REVISIONS | | | | | | |
| LTR | DESCRIPTION | DATE | APPROVED | | | |
| H | REVISED PER ECN AD93080 | | | | | |
| J | REVISED PER ECO-15-014564 | 09/10/2015 | H.SMITH | | | |
| TE CAGE CODE: 06090 POLAMCO/TE CAGE CODE: U5792 | | | | TE CONNECTIVITY - POLAMCO LTD RESERVES THE RIGHT TO AMEND THIS DRAWING AND THE INFORMATION SET FORTH HEREON AT ANY TIME. USERS SHOULD INDEPENDENTLY EVALUATE THE SUITABILITY OF THE PRODUCT FOR THEIR APPLICATION. | DRAWING NO: 206M1XX | |
| | | | | DRAWING REV: J | SHT 1 | |



45° BACKSHELL - TYPE 1



45° BACKSHELL - TYPE 2

TABLE 1

| BASE PART NUMBER | SHELL SIZE | A THREAD | ØB MAX | MAX ENTRY (4) | C ±0,5 | D ±0,5 |
|------------------|------------|---------------|--------|---------------|--------|--------|
| 206M108 | 08 | 7/16-28UNEF | 18,05 | 04 | 13,9 | 17,1 |
| 206M110 | 10 | 9/16-24UNEF | 21,55 | 06 | 14,7 | 18,2 |
| 206M112 | 12 | 11/16-24UNEF | 24,65 | 08 | 15,1 | 18,6 |
| 206M114 | 14 | 13/16-20UNEF | 27,65 | 10 | 16,0 | 19,5 |
| 206M116 | 16 | 15/16-20UNEF | 31,05 | 12 | 16,3 | 20,3 |
| 206M118 | 18 | 1 1/16-18UNEF | 34,35 | 13 | 17,3 | 20,8 |
| 206M120 | 20 | 1 3/16-18UNEF | 37,55 | 15 | 18,1 | 21,7 |
| 206M122 | 22 | 1 5/16-18UNEF | 40,55 | 16 | 18,5 | 22,0 |
| 206M124 | 24 | 1 7/16-18UNEF | 43,55 | 18 | 19,3 | 22,9 |

TABLE 2

| ENTRY SIZE | ØZ REF | ØY REF | ØK MAX | F ±0,5 | G ±0,5 |
|------------|--------|--------|--------|--------|--------|
| 03 | 4,77 | 13,1 | NA | NA | NA |
| 04 | 6,35 | 13,1 | NA | NA | NA |
| 05 | 7,92 | 13,1 | 21,0 | 12,5 | 18,2 |
| 06 | 9,52 | 17,9 | 21,0 | 12,5 | 18,2 |
| 07 | 11,12 | 17,9 | 21,0 | 12,5 | 18,2 |
| 08 | 12,70 | 17,9 | 24,5 | 13,1 | 18,6 |
| 09 | 14,27 | 17,9 | 24,5 | 13,1 | 18,6 |
| 10 | 15,87 | 24,2 | 29,0 | 13,5 | 19,5 |
| 11 | 17,47 | 24,2 | 32,5 | 14,5 | 20,3 |
| 12 | 19,05 | 24,2 | 32,5 | 14,5 | 20,3 |
| 13 | 20,62 | 24,2 | 35,5 | 15,5 | 20,8 |
| 14 | 22,23 | 30,6 | 35,5 | 15,5 | 20,8 |
| 15 | 23,82 | 30,6 | 37,0 | 16,1 | 21,7 |
| 16 | 25,40 | 30,6 | 37,0 | 16,1 | 21,7 |
| 17 | 26,98 | 33,2 | 40,0 | 16,5 | 22,0 |
| 18 | 28,60 | 33,2 | 40,0 | 16,5 | 22,0 |
| 20 | 31,80 | 42,0 | 43,5 | 17,0 | 22,9 |
| 21 | 33,34 | 42,0 | 48,5 | 18,5 | 24,8 |
| 22 | 35,00 | 42,0 | 48,5 | 18,5 | 24,8 |
| 24 | 38,10 | 42,0 | 52,1 | 21,9 | 25,8 |
| 28 | 44,45 | 49,0 | 58,5 | 25,7 | 26,4 |

| DRAWN | B.VESA | DATE | 22/07/2015 |
|----------|------------|------|------------|
| CHECKED | | DATE | 22/07/2015 |
| APPROVED | K.SHEPPARD | DATE | 27/07/2015 |
| APPROVED | H.SMITH | DATE | 09/10/2015 |

3RD ANGLE PROJECTION NOT TO SCALE

UNLESS OTHERWISE SPECIFIED ALL DIMENSIONS IN MILLIMETRES

GENERAL TOL
LINEAR +/-0,25MM
ANGULAR +/- 1°

TITLE: BRAID TAIL BACKSHELL (CODE 21)

ASSY USED ON: MIL-DTL-26482 SERIES I



| REVISIONS | | | |
|-----------|---------------------------|------------|----------|
| LTR | DESCRIPTION | DATE | APPROVED |
| H | REVISED PER ECN AD93080 | | |
| J | REVISED PER ECO-15-014564 | 09/10/2015 | H.SMITH |

TE CONNECTIVITY - POLAMCO LTD RESERVES THE RIGHT TO AMEND THIS DRAWING AND THE INFORMATION SET FORTH HEREON AT ANY TIME. USERS SHOULD INDEPENDENTLY EVALUATE THE SUITABILITY OF THE PRODUCT FOR THEIR APPLICATION.

| | | | | | |
|-------------|---------|--------------|---|-----|---|
| DRAWING NO: | 206M1XX | DRAWING REV: | J | SHT | 2 |
|-------------|---------|--------------|---|-----|---|

TE CAGE CODE: 06090
POLAMCO/TE CAGE CODE: U5792