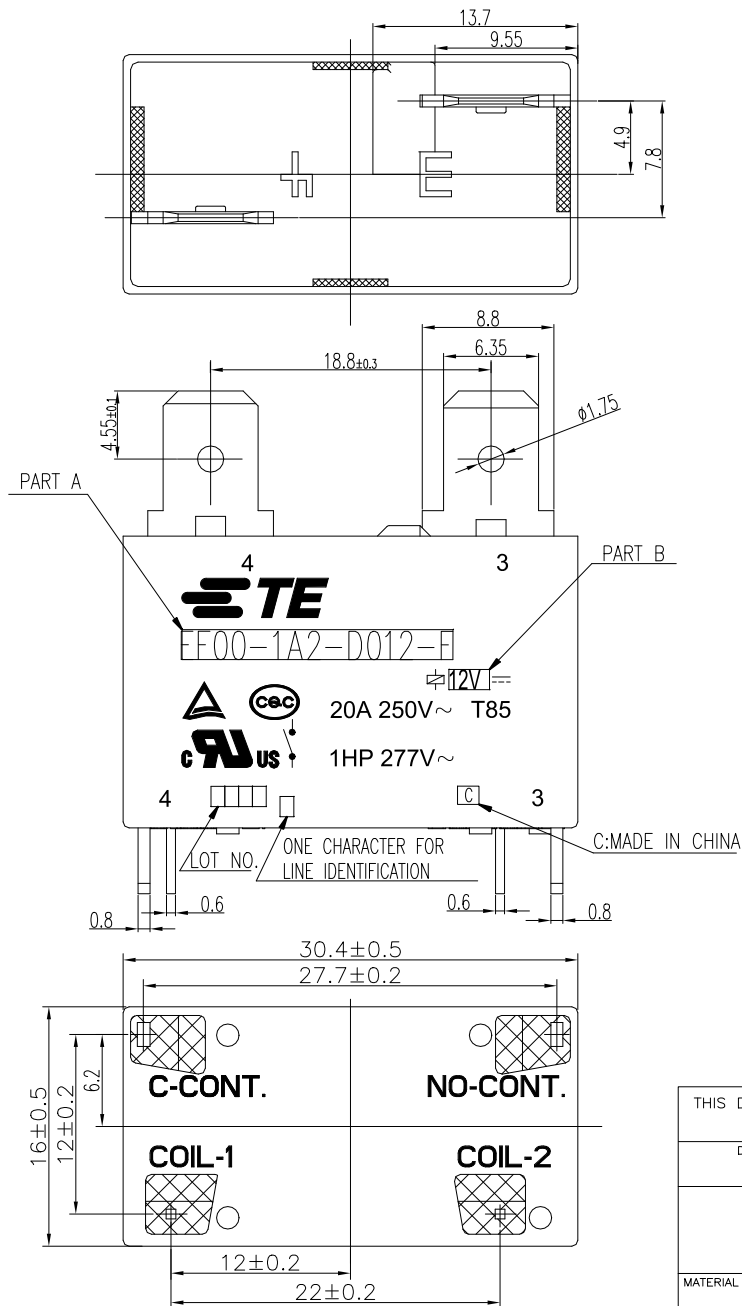


FIGA



REVISIONS					
P	LTR	DESCRIPTION	DATE	DWN	APVD
	A	RELEASE	26-DEC-12	K.T	BH.Y
	B	ADD NEW TYPE ECO-20-011353	18-AUG-20	XR.L	K.T

Diagram dimension	Tolerance
0.99mm max.	±0.1mm
1 - 2.99mm	±0.2mm
3mm min.	±0.3mm

THIS DRAWING IS A CONTROLLED DOCUMENT.		DWN KUN TANG	TE Connectivity		
DIMENSIONS: mm		CHK BANGHUA YU	NAME		
TOLERANCES UNLESS OTHERWISE SPECIFIED:		APVD SUNNY ZHANG	EF CUSTOMER DRAWING		
0 PLC ±-		PRODUCT SPEC	RESTRICTED TO		
1 PLC ±-		APPLICATION SPEC	SIZE	CAGE CODE	DRAWING NO
2 PLC ±-		WEIGHT	A3	00779	C=2071266
3 PLC ±-		CUSTOMER DRAWING	SCALE	SHEET	REV
4 PLC ±-			1:1	1 of 3	B
ANGLES ±-					
FINISH					

P	LTR	DESCRIPTION	DATE	DWN	APVD
1	-		-	-	-

FIG B

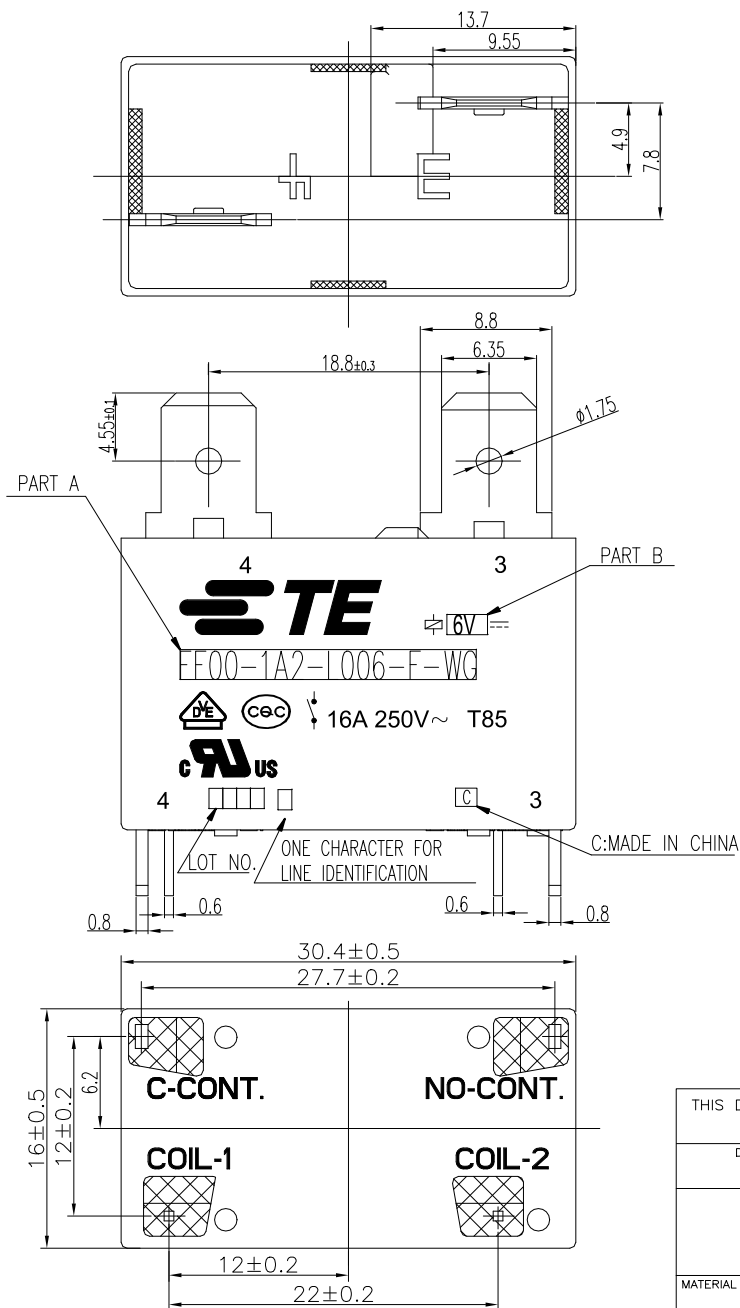


Diagram dimension	Tolerance
0.99mm max.	±0.1mm
1 - 2.99mm	±0.2mm
3mm min.	±0.3mm

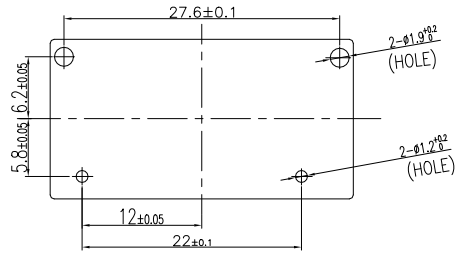
THIS DRAWING IS A CONTROLLED DOCUMENT.		DWN KUN TANG	TE Connectivity																			
DIMENSIONS: mm		CHK BANGHUA YU	NAME EF CUSTOMER DRAWING																			
TOLERANCES UNLESS OTHERWISE SPECIFIED:		APVD SUNNY ZHANG	PRODUCT SPEC																			
<table border="1"> <tr><td>0</td><td>PLC</td><td>±-</td></tr> <tr><td>1</td><td>PLC</td><td>±-</td></tr> <tr><td>2</td><td>PLC</td><td>±-</td></tr> <tr><td>3</td><td>PLC</td><td>±-</td></tr> <tr><td>4</td><td>PLC</td><td>±-</td></tr> <tr><td colspan="2">ANGLES</td><td>±-</td></tr> </table>		0	PLC	±-	1	PLC	±-	2	PLC	±-	3	PLC	±-	4	PLC	±-	ANGLES		±-	APPLICATION SPEC		
0	PLC	±-																				
1	PLC	±-																				
2	PLC	±-																				
3	PLC	±-																				
4	PLC	±-																				
ANGLES		±-																				
MATERIAL		WEIGHT	SIZE A3	CAGE CODE 00779	DRAWING NO C=2071266																	
CUSTOMER DRAWING			RESTRICTED TO	SCALE 1:1	SHEET 2 of 3																	
			REV B																			

REVISIONS					
P	LTR	DESCRIPTION	DATE	DWN	APVD
1	-		-	-	-

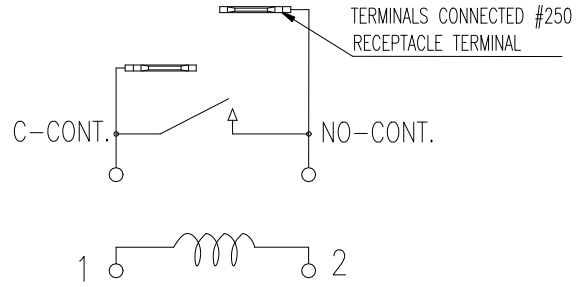
2-2071266-1	EF00-1A2-L048-F-WG	FIG B	48V	EF00-1A2-L048-F-WG
2-2071266-0	EF00-1A2-L024-F-WG	FIG B	24V	EF00-1A2-L024-F-WG
1-2071266-9	EF00-1A2-L018-F-WG	FIG B	18V	EF00-1A2-L018-F-WG
1-2071266-8	EF00-1A2-L012-F-WG	FIG B	12V	EF00-1A2-L012-F-WG
1-2071266-7	EF00-1A2-L009-F-WG	FIG B	9V	EF00-1A2-L009-F-WG
1-2071266-6	EF00-1A2-L006-F-WG	FIG B	6V	EF00-1A2-L006-F-WG
1-2071266-5	EF00-1A2-L005-F-WG	FIG B	5V	EF00-1A2-L005-F-WG
2-2071266-2	EF00-1A2-D012-F	FIG A	12V	EF00-1A2-D012-F
1-2071266-4	EF00-1A2-D048-F-WG	FIG A	48V	EF00-1A2-D048-F-WG
1-2071266-3	EF00-1A2-D024-F-WG	FIG A	24V	EF00-1A2-D024-F-WG
1-2071266-2	EF00-1A2-D018-F-WG	FIG A	18V	EF00-1A2-D018-F-WG
1-2071266-1	EF00-1A2-D012-F-WG	FIG A	12V	EF00-1A2-D012-F-WG
1-2071266-0	EF00-1A2-D009-F-WG	FIG A	9V	EF00-1A2-D009-F-WG
2071266-9	EF00-1A2-D006-F-WG	FIG A	6V	EF00-1A2-D006-F-WG
2071266-8	EF00-1A2-D005-F-WG	FIG A	5V	EF00-1A2-D005-F-WG
2071266-7	EF00-1A2-D048-F	FIG A	48V	EF00-1A2-D048-F
2071266-6	EF00-1A2-D024-F	FIG A	24V	EF00-1A2-D024-F
2071266-5	EF00-1A2-D018-F	FIG A	18V	EF00-1A2-D018-F
2071266-4	EF00-1A2-D012-F	FIG A	12V	EF00-1A2-D012-F
2071266-3	EF00-1A2-D009-F	FIG A	9V	EF00-1A2-D009-F
2071266-2	EF00-1A2-D006-F	FIG A	6V	EF00-1A2-D006-F
2071266-1	EF00-1A2-D005-F	FIG A	5V	EF00-1A2-D005-F
TE PART NO	DESCRIPTION	FIG	PART B	PART A

RELAY TYPE

DRILLING DIAGRAM (BOTTOM VIEW)  
(SCALE 2:1)



CONNECTION DIAGRAM(BOTTOM VIEW)



		EPOXY RESIN	SEAL	15
		3UEW	MAGNETIC WIRE	14
		HCP	COIL TERMINAL	13
		Ag ALLOY	C CONTACT	12
		Ag ALLOY	M CONTACT	11
		Cu ALLOY	M SPRING	10
		Cu ALLOY	C SPRING	9
		Cu ALLOY	C TERMINAL	8
		Cu ALLOY	M TERMINAL	7
UL94 V-0		LCP	CARD	6
UL94 V-0		P.B.T	BOBBIN	5
UL94 V-0		PBT/PET	BASE	4
UL94 V-0		PBT/PET	CASE	3
	Ni PLATED	STEEL	CORE	2
	Ni PLATED	STEEL	ARMATURE	1
INCOMBUSTIBILITY	TREATMENT	MATERIAL	DESCRIPTION	ITEM

NOTES:  
1. LOT NO. SYSTEM AS FOLLOWING:



WEEK  
YEAR

- ONE CHARACTER DISTINGUISH THE LINE IDENTITY, SUCH AS: A, B...
- TERMINAL DIMENSION IS BEFORE SOLDER DIP.
- FOR THE TIN-PLATING OF THE PINS:  
+0.1mm FOR WIDTH, THICKNESS AND DIAMETER.  
+0.5mm FOR LENGTH.

THIS DRAWING IS A CONTROLLED DOCUMENT.

DIMENSIONS: mm	TOLERANCES UNLESS OTHERWISE SPECIFIED:	0 PLC ± -	1 PLC ± -	2 PLC ± -	3 PLC ± -	4 PLC ± -	PLC ANGLES ± -	FINISH
MATERIAL								

DWN KUN TANG	CHK BANGHUA YU	APVD SUNNY ZHANG	NAME
PRODUCT SPEC	APPLICATION SPEC	WEIGHT	
SIZE A3	CAGE CODE 00779	DRAWING NO C-2071266	RESTRICTED TO
CUSTOMER DRAWING			SCALE 1:1 SHEET 3 of 3 REV B

TE Connectivity  
EF CUSTOMER DRAWING