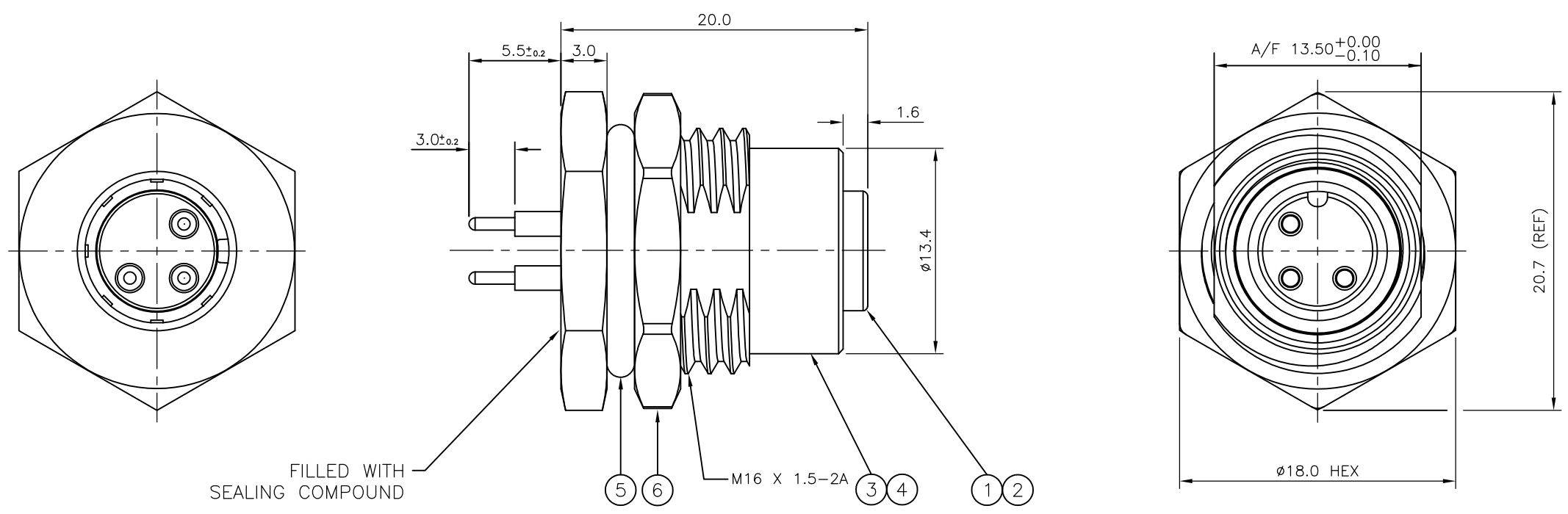


THIS DRAWING IS UNPUBLISHED.
 VERTRÄULICHE UNVERÖFFENTLICHTE ZEICHNUNG
 © COPYRIGHT - TE Connectivity

RELEASED FOR PUBLICATION
 FREI FUER VERÖFFENTLICHUNG
 ALL RIGHTS RESERVED.
 ALLE RECHTE VORBEHALTEN

| REVISIONS ÄNDERUNGEN | | | | | |
|-------------------------|-----|--------------------------------------|-----------|-----|------|
| P | LTR | DESCRIPTION BESCHREIBUNG | DATE | DWN | APVD |
| A2 | | 2075001-1 AND 2075001-3 DISCONTINUED | 25SEP2017 | TJ | NG |

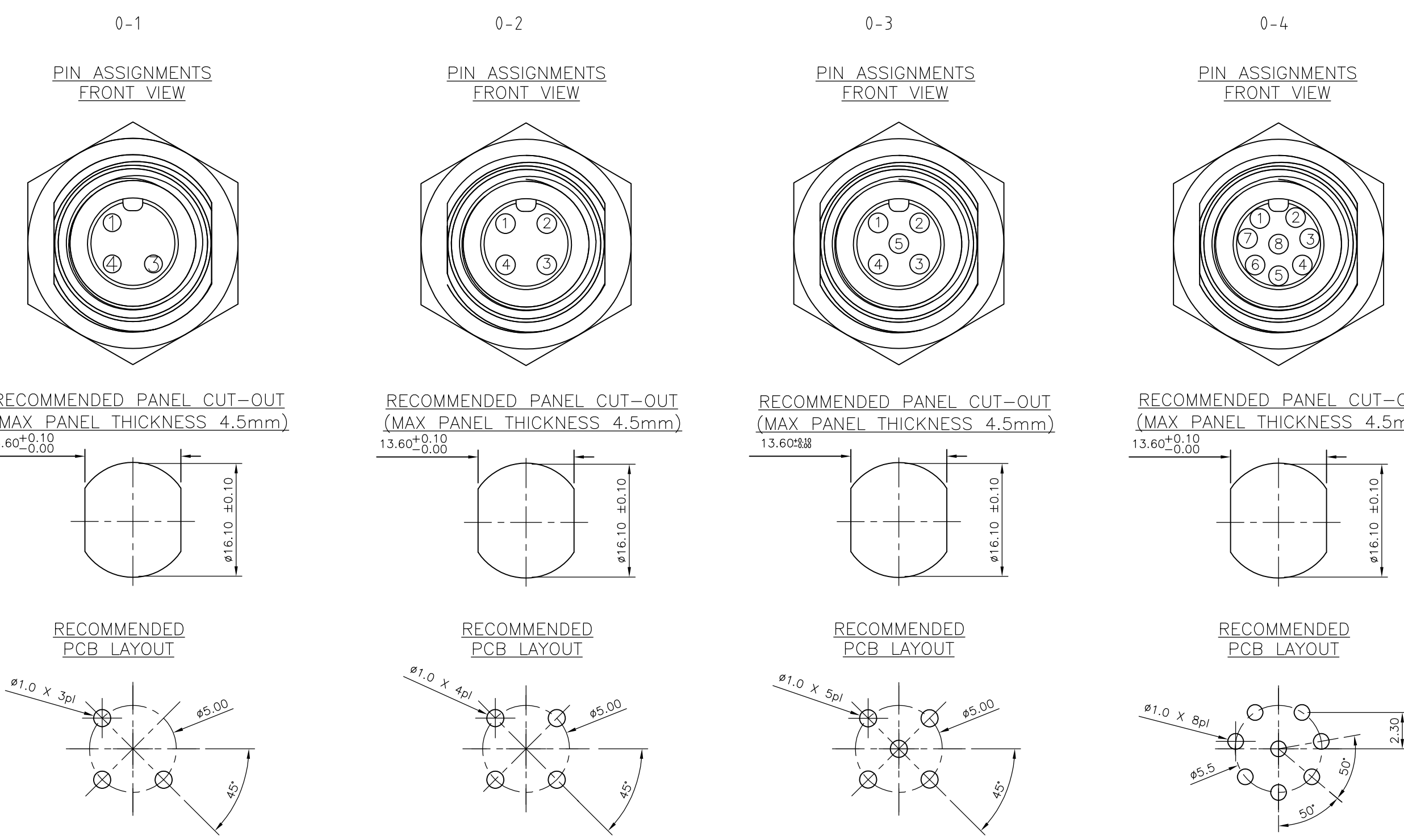


| ITEM | DESCRIPTION | MATERIAL | FINISH/COLOUR | QUANTITY / ITEM | | | |
|------|-------------------|---------------|-------------------------|-----------------|----|----|----|
| | | | | -1 | -2 | -3 | -4 |
| 1 | CONNECTOR HOUSING | GF NYLON | BLACK | 1 | 1 | 1 | 1 |
| 2 | SOCKET CONTACT | BRASS | 0.15µm GOLD OVER NICKEL | 3 | 4 | 5 | 8 |
| 3 | CONNECTOR BODY | ZINC DIE CAST | 2.5µm NICKEL PLATED | 1 | 1 | 1 | 1 |
| 4 | 'O' RING | VITON | GREEN | 1 | 1 | 1 | 1 |
| 5 | 'O' RING | EPDM | BLACK | 1 | 1 | 1 | 1 |
| 6 | SCREW NUT | ZINC DIE CAST | 2.5µm NICKEL PLATED | 1 | 1 | 1 | 1 |

NOTES:

1. ELECTRICAL DATA: CONTACT RESISTANCE: 10 mOhm MAX
 INSULATION RESISTANCE: 100 MOhm MIN at 500VDC
 CURRENT RATING: 5 AMPS (FOR 3, 4 AND 5 POSITIONS) AND 2 AMPS (FOR 8 POSITION ONLY)
 BREAKDOWN VOLTAGE: 500 VAC MIN PER MINUTE

2. ENVIRONMENTAL: OPERATING TEMPERATURE: -25°C TO +90°C
 SEALING REQUIREMENTS: IP68



| | | |
|---|------------|-------------|
| M12 METAL FEMALE PANEL MOUNT CONNECTOR, PCB, STRAIGHT, FRONT (HEXAGONAL) MOUNTING | 8 | 0-4 |
| M12 METAL FEMALE PANEL MOUNT CONNECTOR, PCB, STRAIGHT, FRONT (HEXAGONAL) MOUNTING | 5 | 0-3 |
| M12 METAL FEMALE PANEL MOUNT CONNECTOR, PCB, STRAIGHT, FRONT (HEXAGONAL) MOUNTING | 4 | 0-2 |
| M12 METAL FEMALE PANEL MOUNT CONNECTOR, PCB, STRAIGHT, FRONT (HEXAGONAL) MOUNTING | 3 | 0-1 |
| DESCRIPTION | NO. OF POS | PART NUMBER |

THIS DRAWING IS A CONTROLLED DOCUMENT.
 DIESE ZEICHNUNG IST EIN KONTROLLIERTES DOKUMENT.

DIMENSIONS: MASSENHEITEN mm
 TOLERANCES UNLESS OTHERWISE SPECIFIED: ALLGEMEINTOLERANZEN

0 PLC ± ZMI
 1 PLC ± ZMA
 2 PLC ± ZT2
 3 PLC ± ZT3
 4 PLC ± ZT4
 ANGLES / WINKEL ±

MATERIAL REFER TABLE
 FINISH / OBERFLÄCHE / FARBE REFER TABLE

DWN: G.WROBLEWSKI 05NOV2008
 CHK: T.SCHNURPFEIL 05NOV2008
 APVD: T.SCHNURPFEIL 05NOV2008

PRODUCT SPEC: 108-3641
 APPLICATION SPEC: VERÄNDERUNGSSPEZ.

WEIGHT: 0.000000
 CUSTOMER DRAWING / KUNDENZEICHNUNG

TE TE Connectivity

NAME: M12, METEAL-FEMALE-PANEL-MOUNT CONNECTOR

SIZE: A2
 CAGE CODE: 00779
 DRAWING NO: C=2075001
 ZEICHNUNGS-NR.: 2075001

RESTRICTED TO NUR FUER: -

SCALE: 1:1
 SHEET: 1 OF 1
 REV: A2