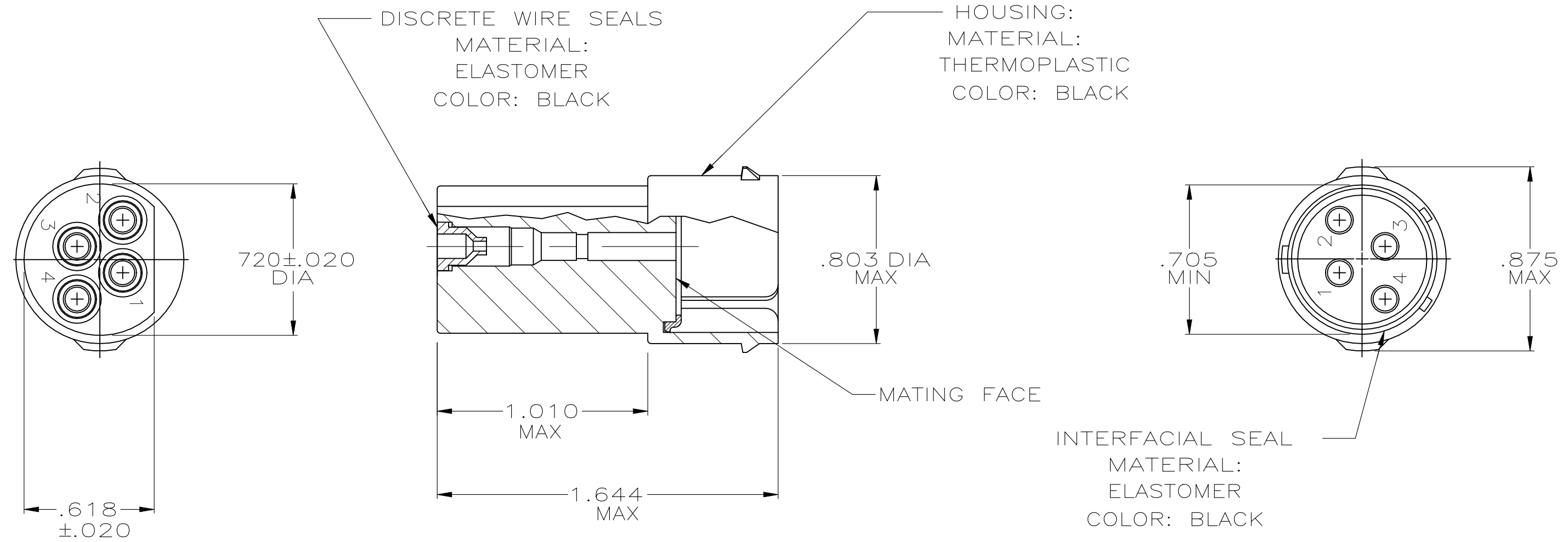


REVISIONS					
P	LTR	DESCRIPTION	DATE	DWN	APVD
	H	PER PCN E-20-018081	10MAR2021	SCK	



1. WIRE INSULATION SEALING RANGE: .130-070 DIA.
2. THIN MEMBRANE PERMISSABLE ON SMALL DIAMETER OF WIRE SEALS.

207569-1  
PART NUMBER

THIS DRAWING IS A CONTROLLED DOCUMENT.		DWN A.STAUB BG 8/2/90	<b>TE Connectivity</b>																		
<table border="1"> <tr> <th>DIMENSIONS:</th> <th>TOLERANCES UNLESS OTHERWISE SPECIFIED:</th> </tr> <tr> <td>INCHES</td> <td></td> </tr> <tr> <td></td> <td>0 PLC ± -</td> </tr> <tr> <td></td> <td>1 PLC ± -</td> </tr> <tr> <td></td> <td>2 PLC ± -</td> </tr> <tr> <td></td> <td>3 PLC ± -</td> </tr> <tr> <td></td> <td>4 PLC ± -</td> </tr> <tr> <td></td> <td>ANGLES ± -</td> </tr> </table>		DIMENSIONS:				TOLERANCES UNLESS OTHERWISE SPECIFIED:	INCHES			0 PLC ± -		1 PLC ± -		2 PLC ± -		3 PLC ± -		4 PLC ± -		ANGLES ± -	CHK -
DIMENSIONS:	TOLERANCES UNLESS OTHERWISE SPECIFIED:																				
INCHES																					
	0 PLC ± -																				
	1 PLC ± -																				
	2 PLC ± -																				
	3 PLC ± -																				
	4 PLC ± -																				
	ANGLES ± -																				
MATERIAL -		FINISH -	APVD -	RECEPTACLE, 4 POSITION, STANDARD CIRCULAR SEALED CONNECTOR																	
			PRODUCT SPEC -	SIZE A3	CAGE CODE 00779	DRAWING NO C-207569															
			APPLICATION SPEC -	RESTRICTED TO -																	
			WEIGHT 0.000000	SCALE 2:1																	
			CUSTOMER DRAWING	SHEET 1 OF 1		REV H															