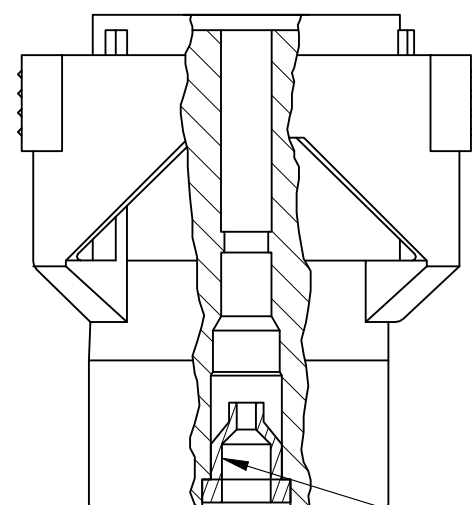
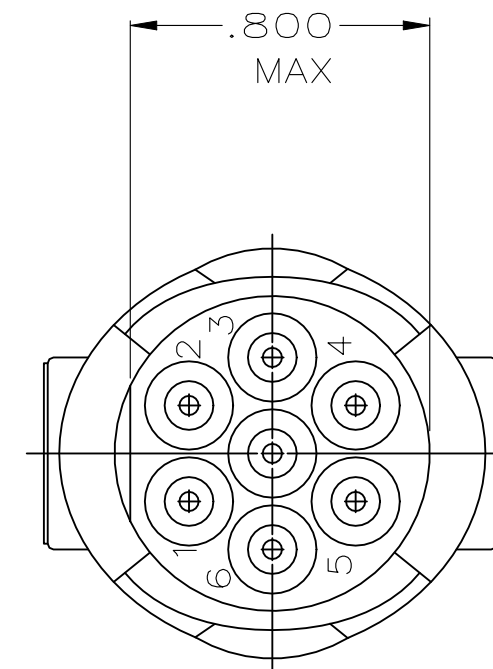
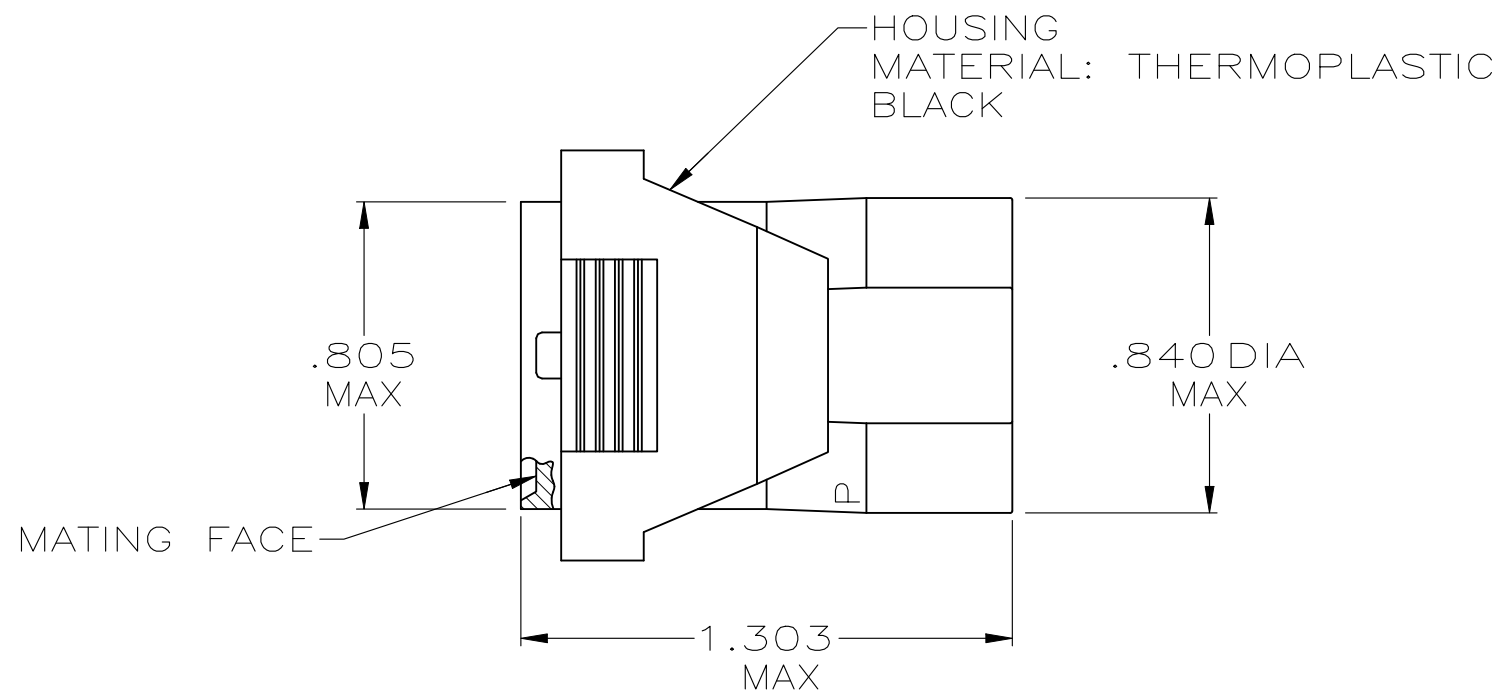
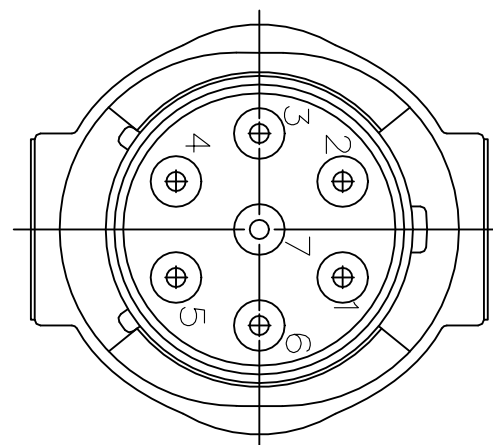


REVISIONS					
P	LTR	DESCRIPTION	DATE	DWN	APVD
	G	PER PCN E-20-018081	11MAR2021	SCK	



DISCRETE WIRE SEALS  
MATERIAL: ELASTOMER  
BLACK

1. WIRE INSULATION SEALING RANGE .070-.130 DIA.
2. THIN MEMBRANE PERMISSIBLE ON SMALL DIAMETER OF WIRE SEALS.

207575-1  
PART  
NUMBER

THIS DRAWING IS A CONTROLLED DOCUMENT.		DWN J GALLUCCI BG 8-17-90	<b>STE</b> TE Connectivity		
DIMENSIONS: INCHES		CHK -			
TOLERANCES UNLESS OTHERWISE SPECIFIED:		APVD -	PLUG, 7 POSN, STANDARD, CIRCULAR SEALED CONNECTOR		
0 PLC ± -		PRODUCT SPEC -	SIZE		
1 PLC ± -		APPLICATION SPEC -	CAGE CODE	DRAWING NO	RESTRICTED TO
2 PLC ± -		---	A3	00779	C-207575
3 PLC ± -		---	SCALE 2:1		
4 PLC ± -		---	SHEET 1 OF 1		
ANGLES ± -		---	REV G		
MATERIAL SEE CALLOUT		FINISH -	WEIGHT 0.000000		
			CUSTOMER DRAWING		