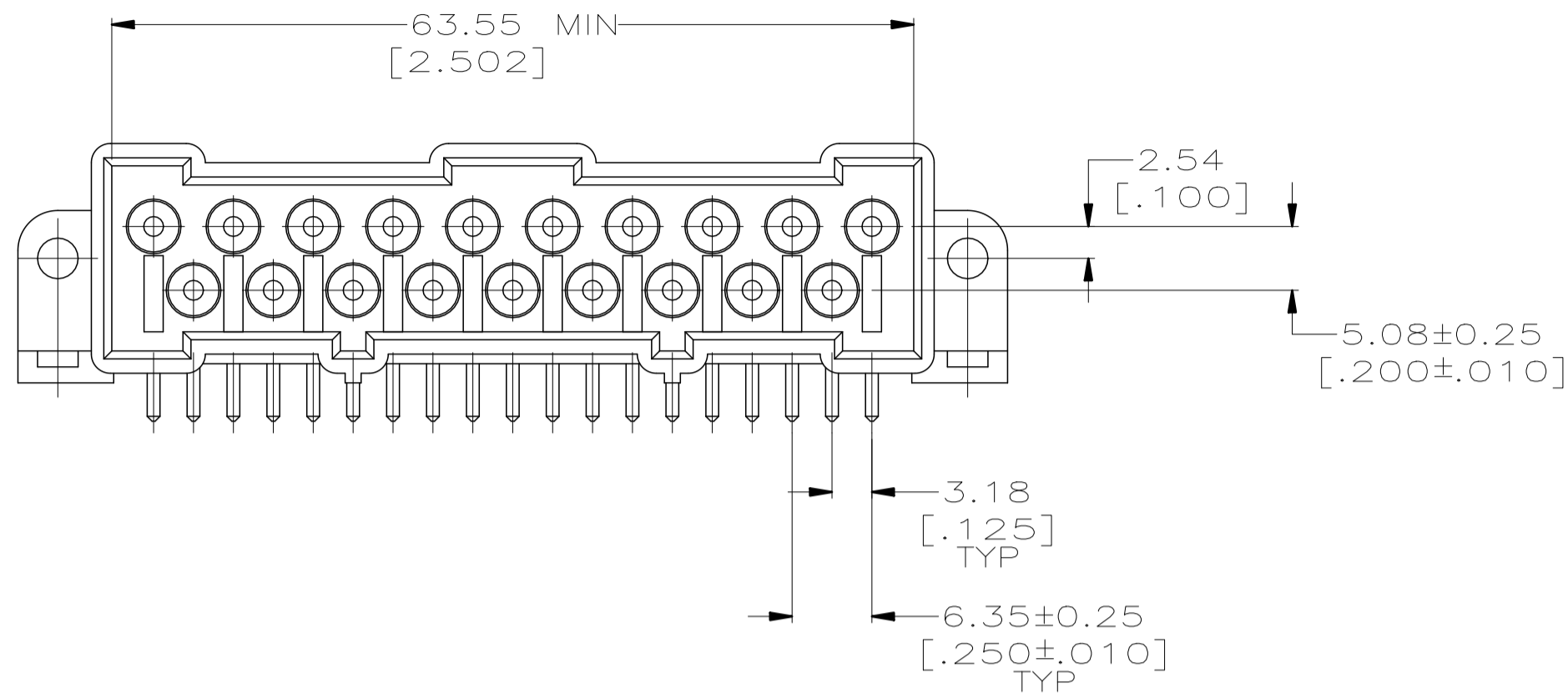
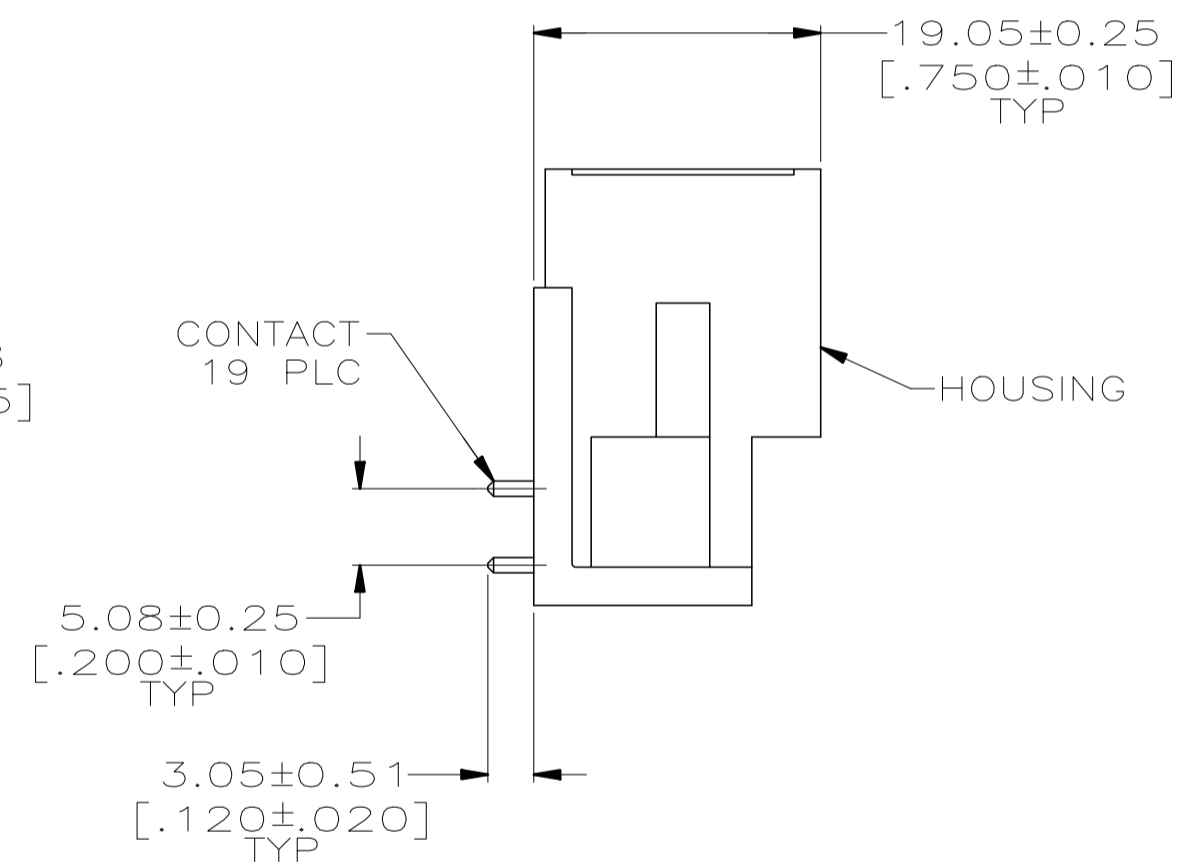
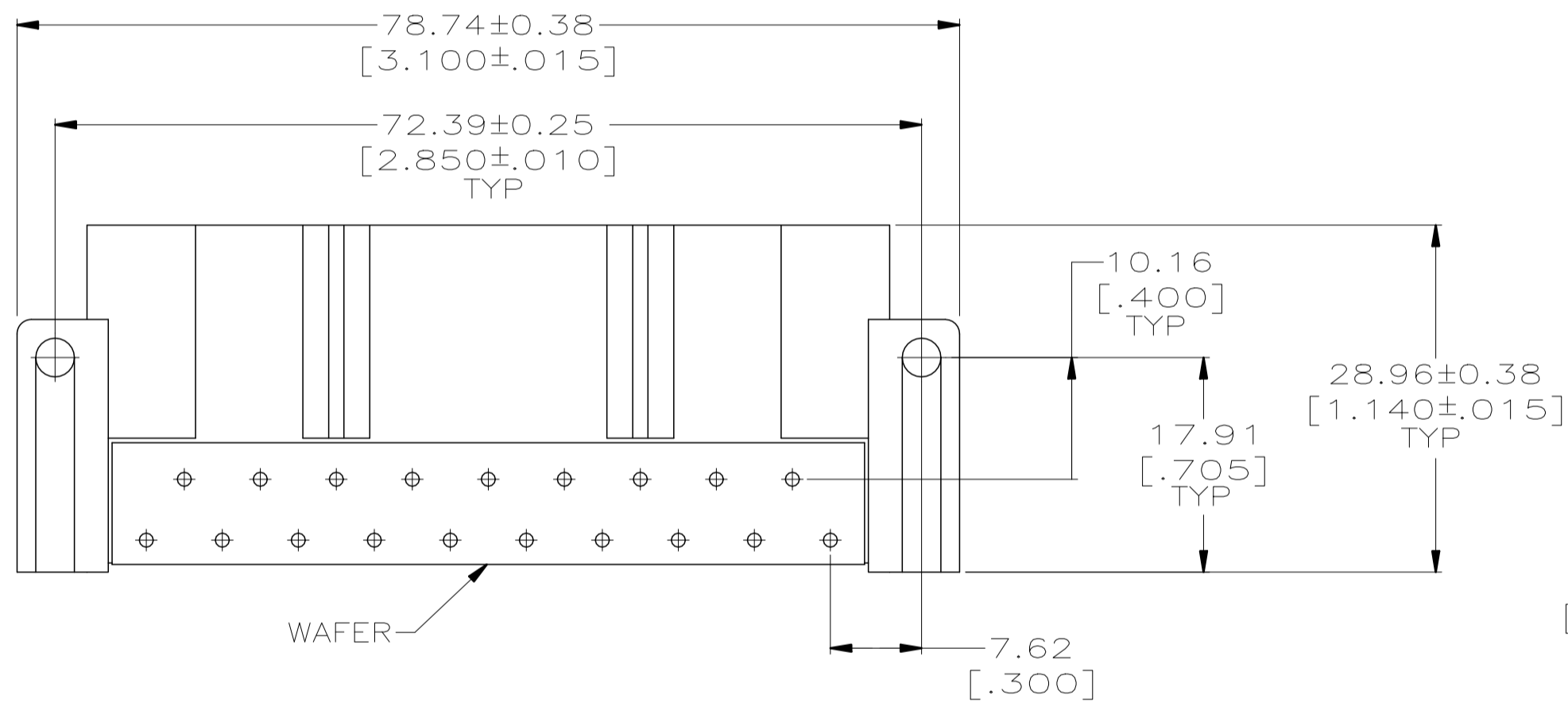


THIS DRAWING IS UNPUBLISHED. RELEASED FOR PUBLICATION  
 © COPYRIGHT - TE Connectivity Ltd. ALL RIGHTS RESERVED.

REVISIONS					
P	LTR	DESCRIPTION	DATE	DWN	APVD
	M	REVISED PER ECO-20-001083	30JAN2020	SM	MZ
	L	REVISED PER ECO-18-000443	30JAN2018	RS	MZ



- ① HOUSING MATERIAL: PA66, BLACK, UL 94 V-0 RATED.
- ② PLASTIC LAMINATED SHEET.
- ③ BRASS.
- ④ 3.81µm [.000150] TIN-LEAD OVER COPPER.
- ⑤ .000150 LEAD FREE TIN OVER CU.



OBSOLETE	⑤	208099-3
	④	208099-1
	PLATING	PART NO

THIS DRAWING IS A CONTROLLED DOCUMENT.		DWN L.SIPE 05/13/92	TE Connectivity Ltd.	
DIMENSIONS: INCHES		CHK W.LENKER 5-14-92		
TOLERANCES UNLESS OTHERWISE SPECIFIED:		APVD A.TRAVIS 5-14-92	NAME	
0 PLC ± -	1 PLC ± -	PRODUCT SPEC	HEADER ASSEMBLY, PIN, 19 POSN, METRIMATE	
2 PLC ± 0.13 [.005]	3 PLC ± -	APPLICATION SPEC	SIZE	RESTRICTED TO
4 PLC ± -	ANGLES ± -		A2	
MATERIAL ①	FINISH CONTACTS: 4	WEIGHT	CAGE CODE 00779	DRAWING NO C-208099
		CUSTOMER DRAWING	SCALE 2:1	SHEET 1 of 1