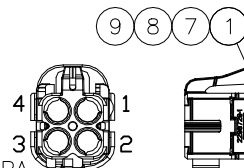


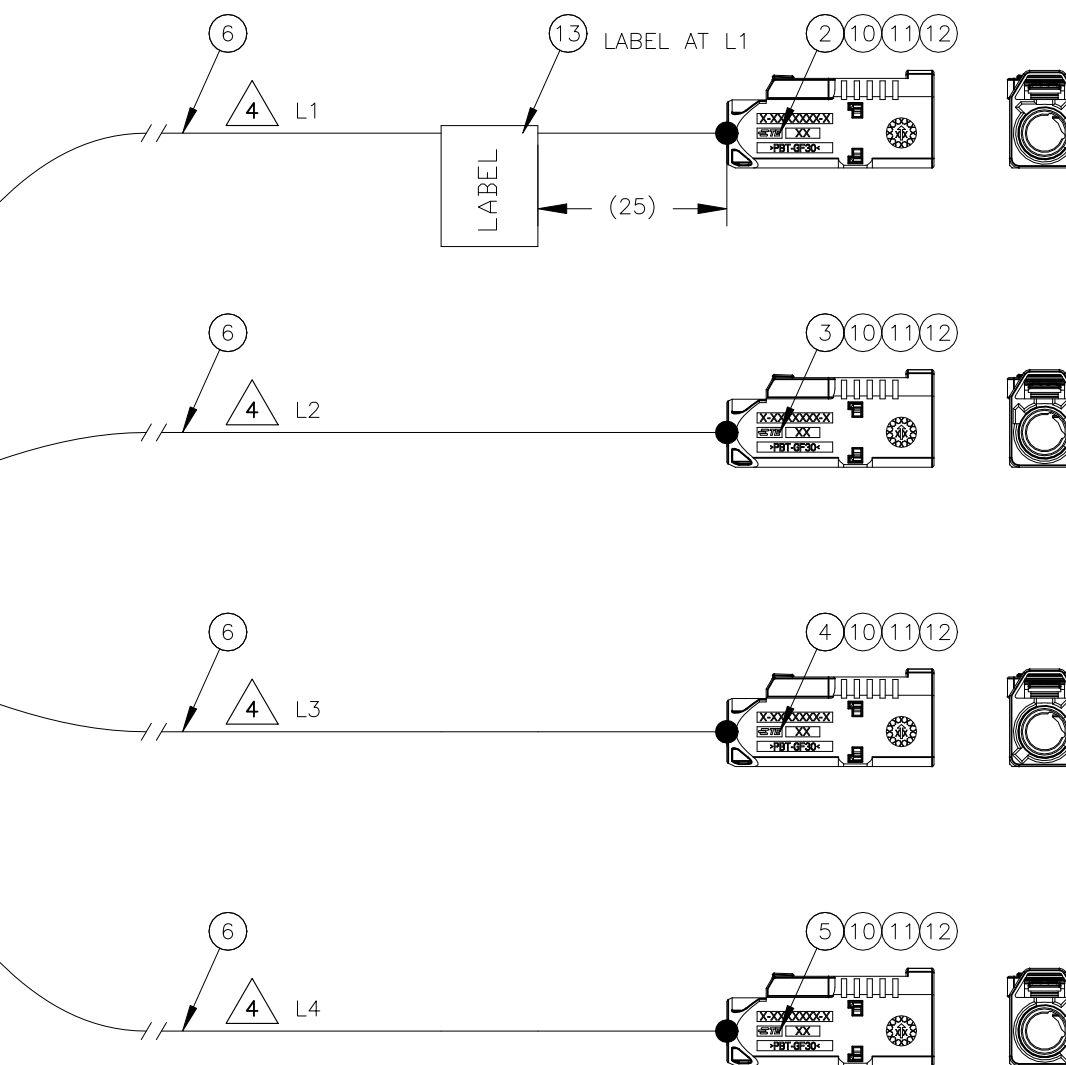
REVISIONS					
P	LTR	DESCRIPTION	DATE	DWN	APVD
A	GTP		11JUN2023	ED	WH

CONN 1  
MATEAX, FEMALE, 4P,  
UNSEALED, 180°,  
CODE Z, WATER BLUE,  
W/O CLIP SLOT, W/O CPA  
CONN TE PN: 2298721-9



(50) Arond 4-5 Laps

TE P/N	L1(mm)	L2(mm)	L3(mm)	L4(mm)
2081393-1	300 <sup>+10</sup> <sub>0</sub>	300 <sup>+10</sup> <sub>0</sub>	300 <sup>+10</sup> <sub>0</sub>	300 <sup>+10</sup> <sub>0</sub>
2081393-2	600 <sup>+10</sup> <sub>0</sub>	600 <sup>+10</sup> <sub>0</sub>	600 <sup>+10</sup> <sub>0</sub>	600 <sup>+10</sup> <sub>0</sub>
2081393-3	1000 <sup>+15</sup> <sub>0</sub>	1000 <sup>+15</sup> <sub>0</sub>	1000 <sup>+15</sup> <sub>0</sub>	1000 <sup>+15</sup> <sub>0</sub>
2081393-4	2000 <sup>+20</sup> <sub>0</sub>	2000 <sup>+20</sup> <sub>0</sub>	2000 <sup>+20</sup> <sub>0</sub>	2000 <sup>+20</sup> <sub>0</sub>
2081393-5	3000 <sup>+30</sup> <sub>0</sub>	3000 <sup>+30</sup> <sub>0</sub>	3000 <sup>+30</sup> <sub>0</sub>	3000 <sup>+30</sup> <sub>0</sub>
2081393-6	5000 <sup>+50</sup> <sub>0</sub>	5000 <sup>+50</sup> <sub>0</sub>	5000 <sup>+50</sup> <sub>0</sub>	5000 <sup>+50</sup> <sub>0</sub>



CONN 2  
FAKRA A, FEMALE, 1P,  
UNSEALED, 180°,  
CODE Z, BLACK,  
W/O CLIP SLOT, W/O CPA  
CONN TE PN: 2-2326910-0,  
RETAINER TE PN: 2326896-1

CONN 3  
FAKRA A, FEMALE, 1P,  
UNSEALED, 180°,  
CODE Z, CREAM,  
W/O CLIP SLOT, W/O CPA  
CONN TE PN: 2-2326910-0,  
RETAINER TE PN: 2326896-1

CONN 4  
FAKRA A, FEMALE, 1P,  
UNSEALED, 180°,  
CODE Z, SIGNAL BLUE,  
W/O CLIP SLOT, W/O CPA  
CONN TE PN: 2-2326910-0,  
RETAINER TE PN: 2326896-1

CONN 5  
FAKRA A, FEMALE, 1P,  
UNSEALED, 180°,  
CODE Z, CLARET VIOLET,  
W/O CLIP SLOT, W/O CPA  
CONN TE PN: 2-2326910-0,  
RETAINER TE PN: 2326896-1

NOTE:  
1. ALL CONNECTOR CRIMPING AND ASSEMBLY SHALL BE MADE PER TE SPECIFICATION 114-32145, 114-94413,  
THE LATEST VERSION SHALL BE USED UNLESS SPECIFIED OTHERWISE

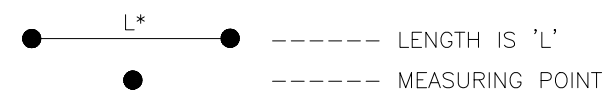
- 1.1: SOCKET/PIN CONTACT CRIMP HEIGHT
- ☒ 1.2: FERRULE CRIMP HEIGHT
- 1.3: CONTACT POSITION(CONCENTRICITY)
- ☒ 1.4: CONNECTORS TO COAX CABLE RETENTION FORCE

2. 100% ONLINE ELECTRICAL TEST ACCORDING TO TE SPECIFICATION 108-18857

- 2.1: 100% POINT TO POINT CONTINUITY TEST FOR EACH CENTER CONTACT AND OUTER CONDUCTOR,  
NO OPEN, NO SHORT
- 2.2: HIGHT VOLTAGE TEST: NO BREAKDOWN AT 800V AC 100MS, MAX 1.5mA
- 2.3: INSULATION RESISTANCE TEST: 100MΩ MIN AT 500V DC 100MS
- 2.4: CONNECTING RESISTANCE: MAX 5 OHM

3. PRODUCT SPECIFICATION: 108-32137, 108-94515,

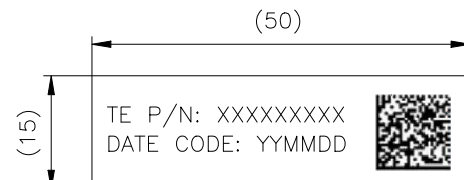
△ MEASUREMENT BASED ON STRAIGHT CABLE



5. TEMPERATURE RANGE: -40°C TO 105°C

△ WIRE POSITION SEE BESIDE TABLE

7. LABEL INFORMATION SEE BELOW



BAR CODE: XXXXXXXX~YYMDDNXXXXXX

- SEQUENCE NUMBER: 6 DIGITALS, STARTED FROM 000001
- SHIFT INFORMATION: "D" DAY OR "N": NIGHT
- MANUFACTURE DATE:  
YY: Last digital of the year; MM: Month; DD: Day
- SEPARATOR
- TE PART NUMBER

△ 6	WIRE FROM	WIRE TO	LENGTH(mm)	CABLE TYPE		
	CONN 1	CAV 1	CONN 2	CAV 1	L1	RTK031
	CONN 1	CAV 2	CONN 2	CAV 2	L2	RTK031
	CONN 1	CAV 3	CONN 2	CAV 3	L3	RTK031
	CONN 1	CAV 4	CONN 2	CAV 4	L4	RTK031

	0.2m	0.2m	0.2m	0.2m	0.2m	0.2m	Tesa 51618 TAPE	14
	1 PCS	1 PCS	1 PCS	1 PCS	1 PCS	1 PCS	LABLE 15*50	13
	4 PCS	4 PCS	4 PCS	4 PCS	4 PCS	4 PCS	FERRULE, FAKRA A, RTK031	12
	4 PCS	4 PCS	4 PCS	4 PCS	4 PCS	4 PCS	SUBASSEMBLY, FAKRA A, FEMALE, RTK031	11
	4 PCS	4 PCS	4 PCS	4 PCS	4 PCS	4 PCS	CENTER CONTACT, FAKRA A, FEMALE, RTK031	10
	4 PCS	4 PCS	4 PCS	4 PCS	4 PCS	4 PCS	FERRULE, MATEAX, RTK031	9
	4 PCS	4 PCS	4 PCS	4 PCS	4 PCS	4 PCS	SUBASSEMBLY, MATEAX, FEMALE, RTK031	8
	4 PCS	4 PCS	4 PCS	4 PCS	4 PCS	4 PCS	CENTER CONTACT, MATEAX, FEMALE, RTK031	7
	5.0m*4	3.0m*4	2.0m*4	1.0m*4	0.6m*4	0.3m*4	COAXIAL CABLE 50 OHM RTK031 105°C	6
	1 PCS	1 PCS	1 PCS	1 PCS	1 PCS	1 PCS	FAKRA A, FEMALE, UNSEALED, LOCAL, 1P, 180°, W/O CLIP SLOT, CODE Z, WATER BLUE, 2-2326910-0+2326896-1	5
	1 PCS	1 PCS	1 PCS	1 PCS	1 PCS	1 PCS	FAKRA A, FEMALE, UNSEALED, LOCAL, 1P, 180°, W/O CLIP SLOT, CODE Z, WATER BLUE, 2-2326910-0+2326896-1	4
	1 PCS	1 PCS	1 PCS	1 PCS	1 PCS	1 PCS	FAKRA A, FEMALE, UNSEALED, LOCAL, 1P, 180°, W/O CLIP SLOT, CODE Z, WATER BLUE, 2-2326910-0+2326896-1	3
	1 PCS	1 PCS	1 PCS	1 PCS	1 PCS	1 PCS	FAKRA A, FEMALE, UNSEALED, LOCAL, 1P, 180°, W/O CLIP SLOT, CODE Z, WATER BLUE, 2-2326910-0+2326896-1	2
	1 PCS	1 PCS	1 PCS	1 PCS	1 PCS	1 PCS	MATEAX, FEMALE, UNSEALED, LOCAL, 4P, 180°, W/O CLIP SLOT, CODE Z, WATER BLUE, 2298721-9	1
	2081393-6	2081393-5	2081393-4	2081393-3	2081393-2	2081393-1		
	QUANTITY						DESCRIPTION	ITEM

THIS DRAWING IS A CONTROLLED DOCUMENT.

DWN	ED	24MAR2023
CHK	RZ	24MAR2023
APVD	WH	24MAR2023

TE Connectivity

CABLE ASSY,MATE AX F TO FAKRA F,  
WITH RTK031 CABLE,Z CODE

SIZE: A2 CAGE CODE: 00779 DRAWING NO: C=2081393

SCALE: SHEET 1 OF 1 REV A