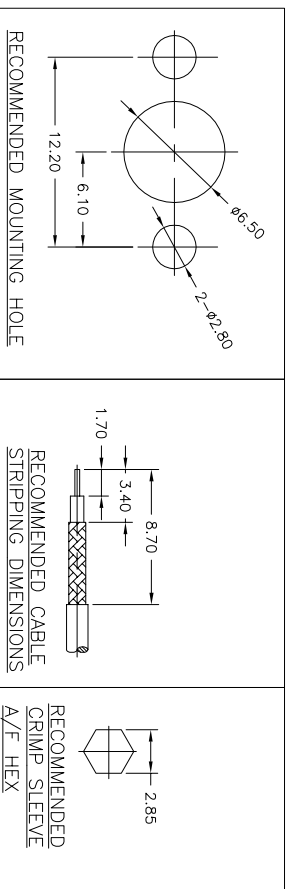
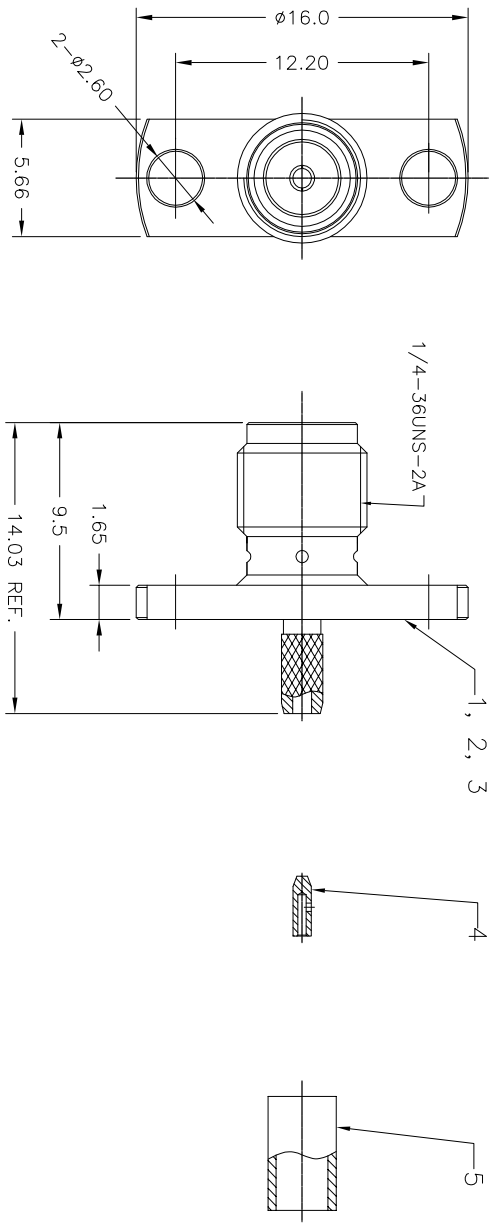


REVISIONS					
P	LTR	DESCRIPTION	DATE	DMN	APVD
A		INITIAL CREATED	19JUL2017	CL	RS



- NOTES:**
- 1 TRAY PACKING
 - 2 Au PLATING
 - 3 ELECTRICAL CHARACTERISTICS
 - FREQUENCY RANGE: DC - 6 GHz
 - NOMINAL IMPEDANCE: 50 Ohm
 - INSULATION RESISTANCE: 5000 Mohm
 - DIELECTRIC WITHSTAND VOLTAGE: 1000 Volts RMS MAX
 - CONTACT RESISTANCE: 3 mohm MAX
 - CENTER CONTACT: 2 mohm MAX
 - OUTER CONTACT: 1.23 MAX@DC~6GHz (WITH RG178)

- 4 MECHANICAL CHARACTERISTICS
 - DURABILITY: 500 Cycles MIN
 - CENTER CONTACT RETENTION: AXIAL FORCES:27N
- 5 ENVIRONMENTAL CHARACTERISTICS
 - OPERATING TEMPERATURE: -55 to +125°C
 - SALT SPRAY: 48H
- 6 FOR USE ON CABLES: RG-178B/U, 196A/U
- 7 ALL DIMENSIONS ARE NOMINAL FOR REFERENCE ONLY UNLESS OTHERWISE STATED
- 8 THE INTERFACE MEET IEC 60169-15

THIS DRAWING IS A CONTROLLED DOCUMENT.		DMN	12JAN2017	NAME	SMA JACK, PANEL, CRIMP FOR RG178B/U,196A/U CABLE	
DIMENSIONS:		CHK	12JAN2017	APVD	ROGGER SONG	
mm		OTHERS UNLESS OTHERWISE SPECIFIED:		PRODUCT SPEC	12JAN2017	
0 P.L.C		±		APPLICATION SPEC	-	
1 P.L.C		± 0.2		WEIGHT	0	
2 P.L.C		± 0.1		CUSTOMER DRAWING	A300779	
3 P.L.C		±		SCALE	NTS	
4 P.L.C		±		SHEET	1 of 1	
ANGLES		±		REV	A	
MATERIAL		-		RESTRICTED TO		

QUANTITY PER ASSY		PARTS LIST	
1	BRASS	Δ	FERRULE
1	BRASS	Δ	CENTER PIN
1	PTFE	Δ	INSULATOR
1	BER. COPPER	Δ	CENTER CONTACT
1	BRASS	Δ	BODY
1	2081611-1	Δ	DESCRIPTION
			ITEM



TE Connectivity
 SMA JACK, PANEL, CRIMP
 FOR RG178B/U,196A/U CABLE