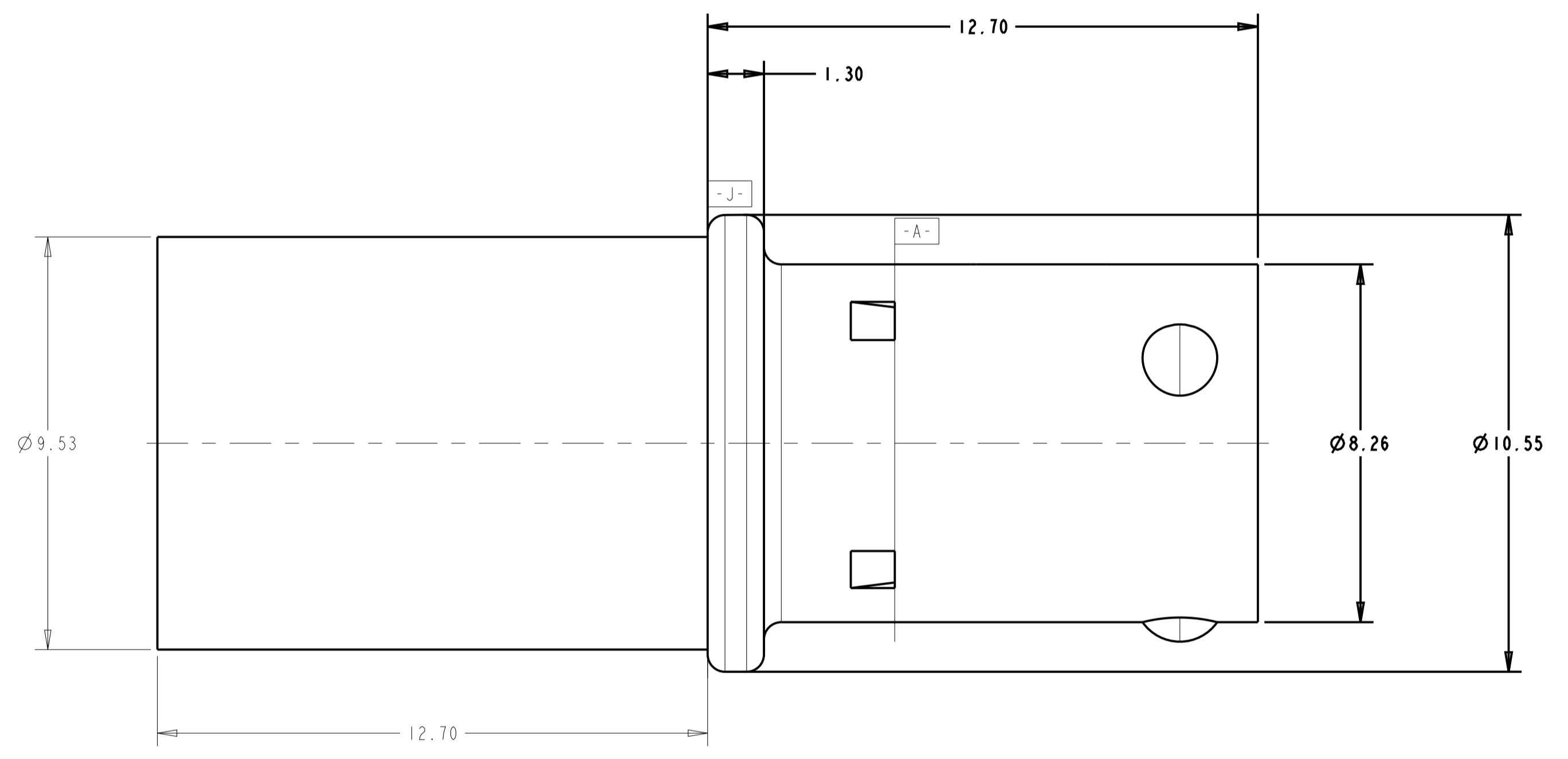
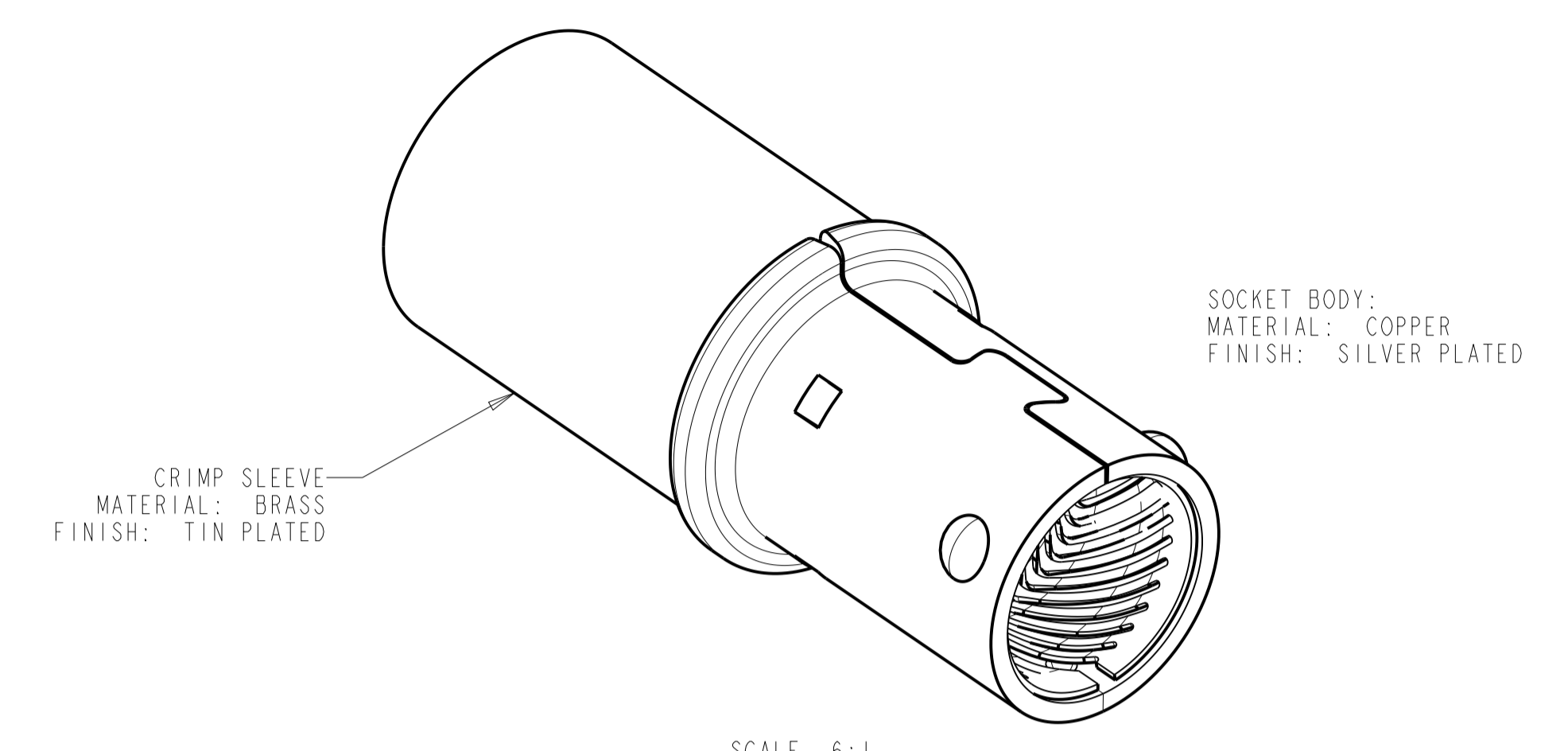
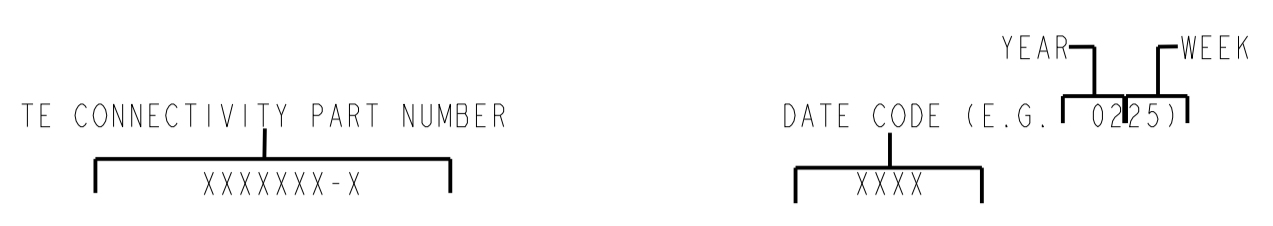


LOC		DIST		REVISIONS			
AA	46	P	LTH	DESCRIPTION	DATE	DWN	APVD
		I		PRELIMINARY	24FEB2011	LAW	JR

- PART NUMBER CHANGES AND OR DESIGN CHANGES AFFECTING ITEM INTERCHANGEABILITY REQUIRE PRIOR TYCO CONNECTIVITY APPROVAL AND AUTORIZATION BY REVISION TO THIS DRAWING
- ITEMS PROVIDED TO THIS SPECIFICATION TO BE PERMANENTLY IDENTIFIED PER THE FOLLOWING IDENTIFIER:



PROPOSED DESIGN
 THIS PRODUCT HAS NOT COMPLETED VALIDATION TESTING
 DESIGN IS SUBJECT TO CHANGE WITHOUT NOTICE

OBsolete

2085422-1
 PART NUMBER

DIMENSIONS:		TOLERANCES UNLESS OTHERWISE SPECIFIED:		DWN L.A. WENSEL 24FEB2011		Tyco Electronics Corporation	
mm		0 PLC ±		CHK J. ROSSMAN 24FEB2011		Harrisburg, PA 17105-3608	
Ø		2 PLC ±0.25		APVD S. ELICKINGER 24FEB2011		NAME	
H		3 PLC ±		PRODUCT SPEC		SOCKET ASSEMBLY,	
A		4 PLC ±		APPLICATION SPEC		WITH 4 AWG CRIMP BARREL,	
ANGLES		FINISH		SIZE CAGE CODE DRAWING NO		DRAWER SERIES 2	
MATERIAL SEE ISOMETRIC		SEE ISOMETRIC		114-13299		RESTRICTED TO	
				WEIGHT		A1 00779 C=2085422	
				CUSTOMER DRAWING		SCALE 10:1 SHEET 1 OF 1 REV 2	