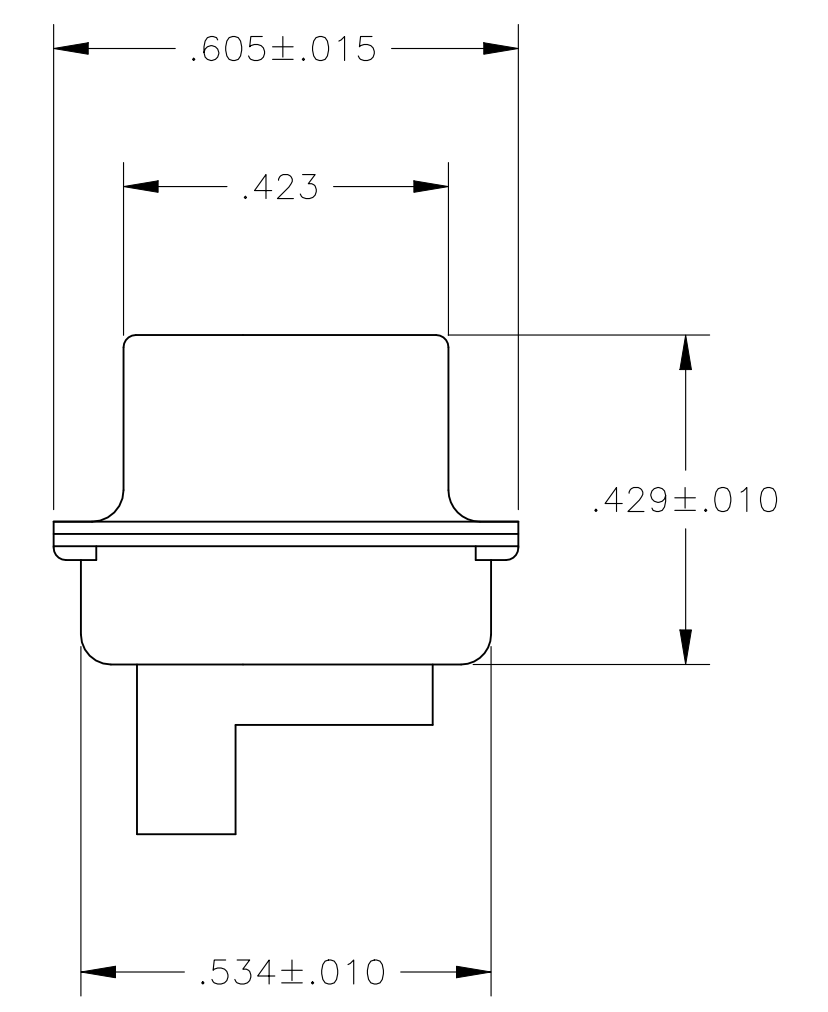
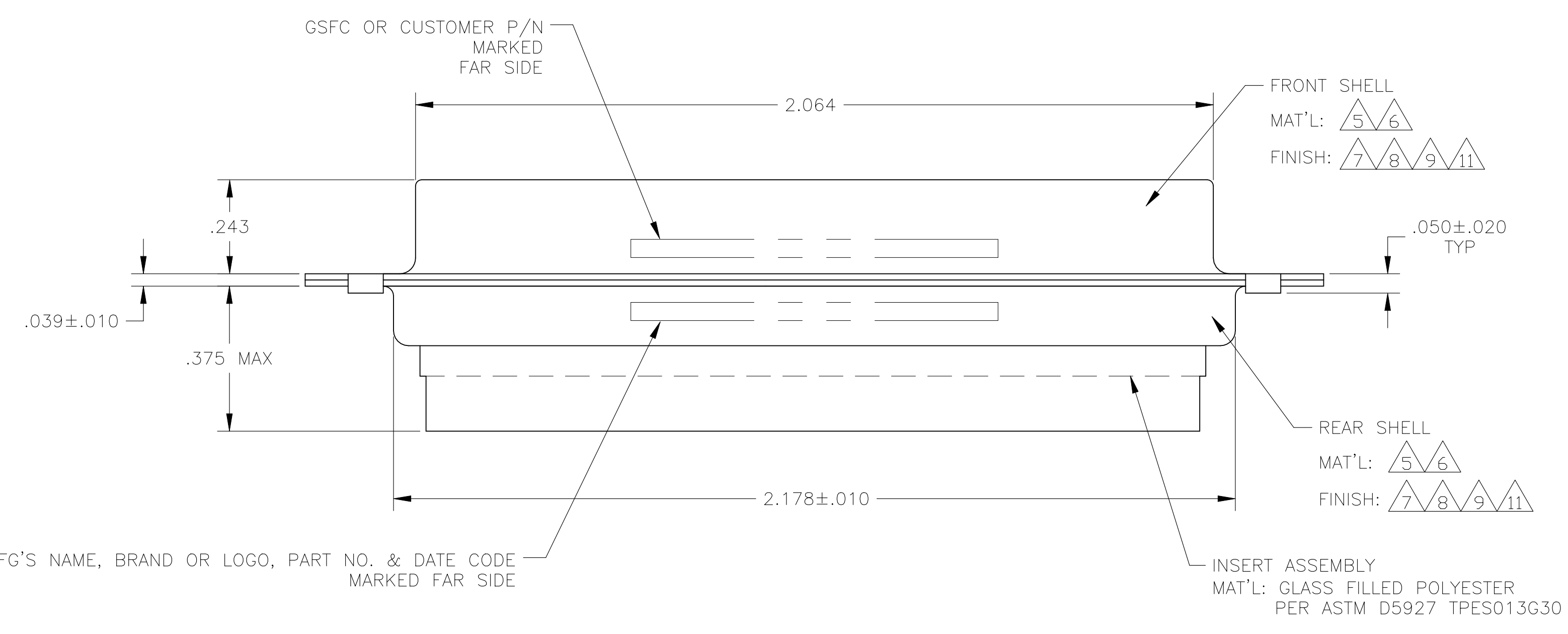
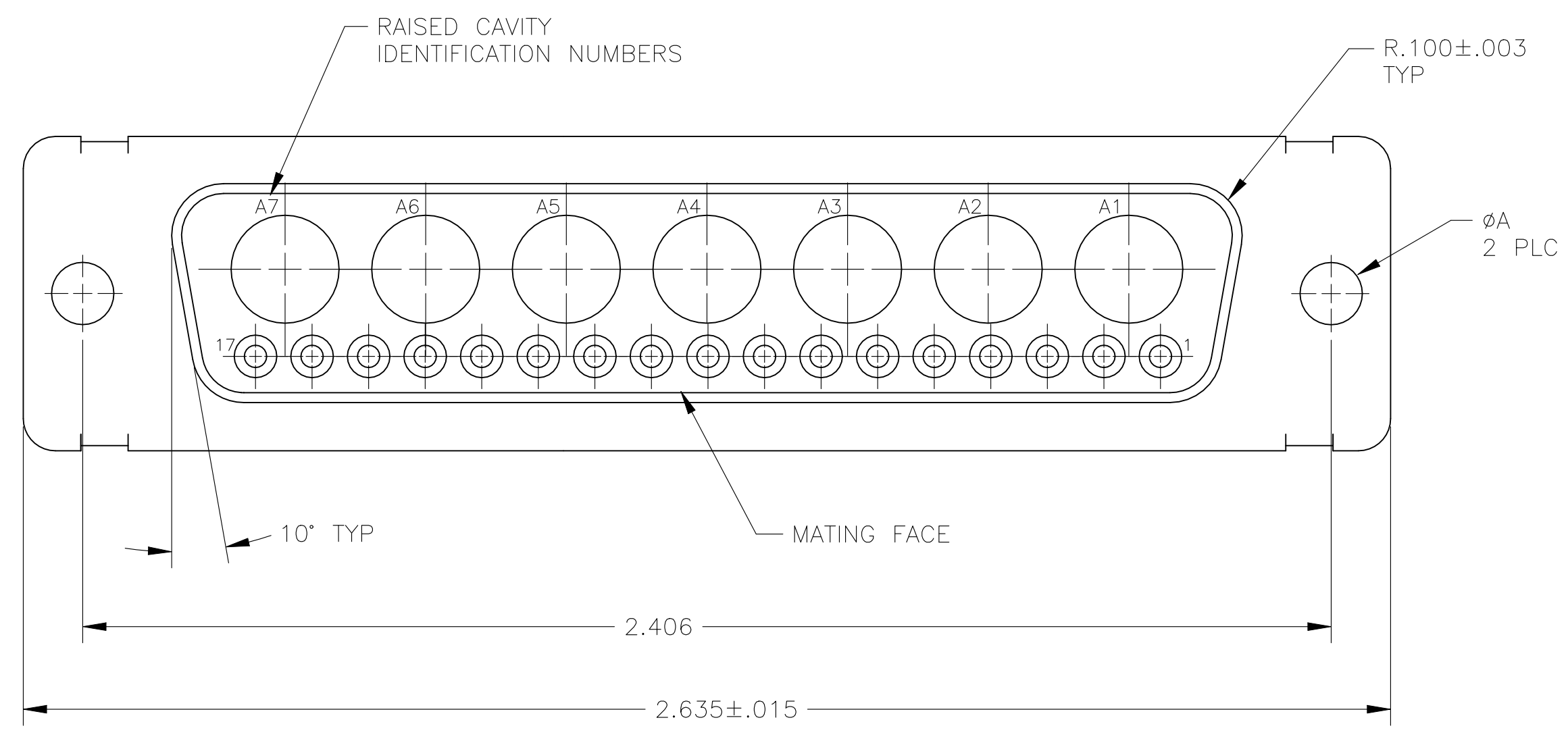


REVISIONS				
P	LTR	DESCRIPTION	DATE	APP'D
V		REVISED PER ECN-24-281683	27AUG2024	PP DS

WARNING - THIS DOCUMENT CONTAINS TECHNOLOGY WHOSE EXPORT IS RESTRICTED BY THE EXPORT ADMINISTRATION REGULATIONS ("EAR") PURSUANT TO 15 C.F.R. PARTS 730-774. VIOLATIONS OF THE EAR ARE SUBJECT TO SEVERE CRIMINAL PENALTIES UNDER THE EXPORT CONTROL REFORM ACT, AS AMENDED (TITLE 50, U.S.C., SEC. 4801, ET SEQ.).

- THIS RECEPTACLE WILL MATE WITH ANY 24C7, SIZE 5 PLUG IN AMPLIMITE SERIES.
 - MAXIMUM WIRE INSULATION TO BE USED WITH THIS RECEPTACLE IS $\phi.068$.
 - THIS CONNECTOR ACCEPTS (7) POWER 8, OR COAX SOCKET CONTACTS IN POSITIONS A1 THRU A7, PURCHASED SEPARATELY.
 - THIS CONNECTOR ACCEPTS SIZE 20 SOCKET CONTACTS IN POSITIONS 1 THRU 17, PURCHASED SEPARATELY.
- 5 MATERIAL: STEEL PER ASTM-A-109.
 - 6 MATERIAL: BRASS PER MIL-C-50 AND ASTM-B-36 UNS NO. C26000.
 - 7 FINISH: TIN PER ASTM-B-545 .000400 MIN THK OVER COPPER PER AMS2418 .000050 MIN THK.
 - 8 FINISH: CADMIUM PLATED PER QQ-P-416.
 - 9 FINISH: GOLD PER MIL-G-45204 TYPE II, GRADE C, CLASS 1 OVER COPPER PER MIL-C-14550, CLASS IV.
 - 10 MARK WESTINGHOUSE PART NO. 97942-645A935H03, FAR SIDE.
 - 11 FINISH: ZINC PLATE PER ASTM-B-633, .000200-.000400 THK WITH SUPPLEMENTARY CHROMATE (Cr3+)



REMARKS	øA	CUSTOMER PART NO.	PART NO.	
OBSOLETE	5 7	.120	-	5-208552-4
	5 11	.120	-	5-208552-1
OBSOLETE	5 8	.120	T5935-0103-006	208552-7
OBSOLETE	5 7	.120	-	208552-6
OBSOLETE	6 9	.154	311P405-22S-B-15	208552-5
OBSOLETE	5 7	.120	-	208552-4
OBSOLETE	5 8 10	.120	97942-645A935H03	208552-3
OBSOLETE	6 9	.120	311P405-22S-B-12	208552-2
	5 8	.120	-	208552-1

THIS DRAWING IS A CONTROLLED DOCUMENT.

DIMENSIONS: INCHES	TOLERANCES UNLESS OTHERWISE SPECIFIED:	DIN T. SHUEY 07-JAN-88	TE Connectivity
0 PLC ± -	1 PLC ± -	CHK A. EMADI 27-JAN-88	
2 PLC ± -	3 PLC ± .005(0.13)	APP'D A. EMADI 27-JAN-88	
4 PLC ± -	ANGLES ± 0°30'	NAME	RECEPTACLE ASSEMBLY
MATERIAL	FINISH	PRODUCT SPEC	AMPLIMITE 24C7
		APPLICATION SPEC	SIZE 5, COAX MIX
		SIZE	SCALE 4:1
		WEIGHT	SHEET 1 of 1
		CUSTOMER DRAWING	REV V

SIZE: A1 00779 C=208552