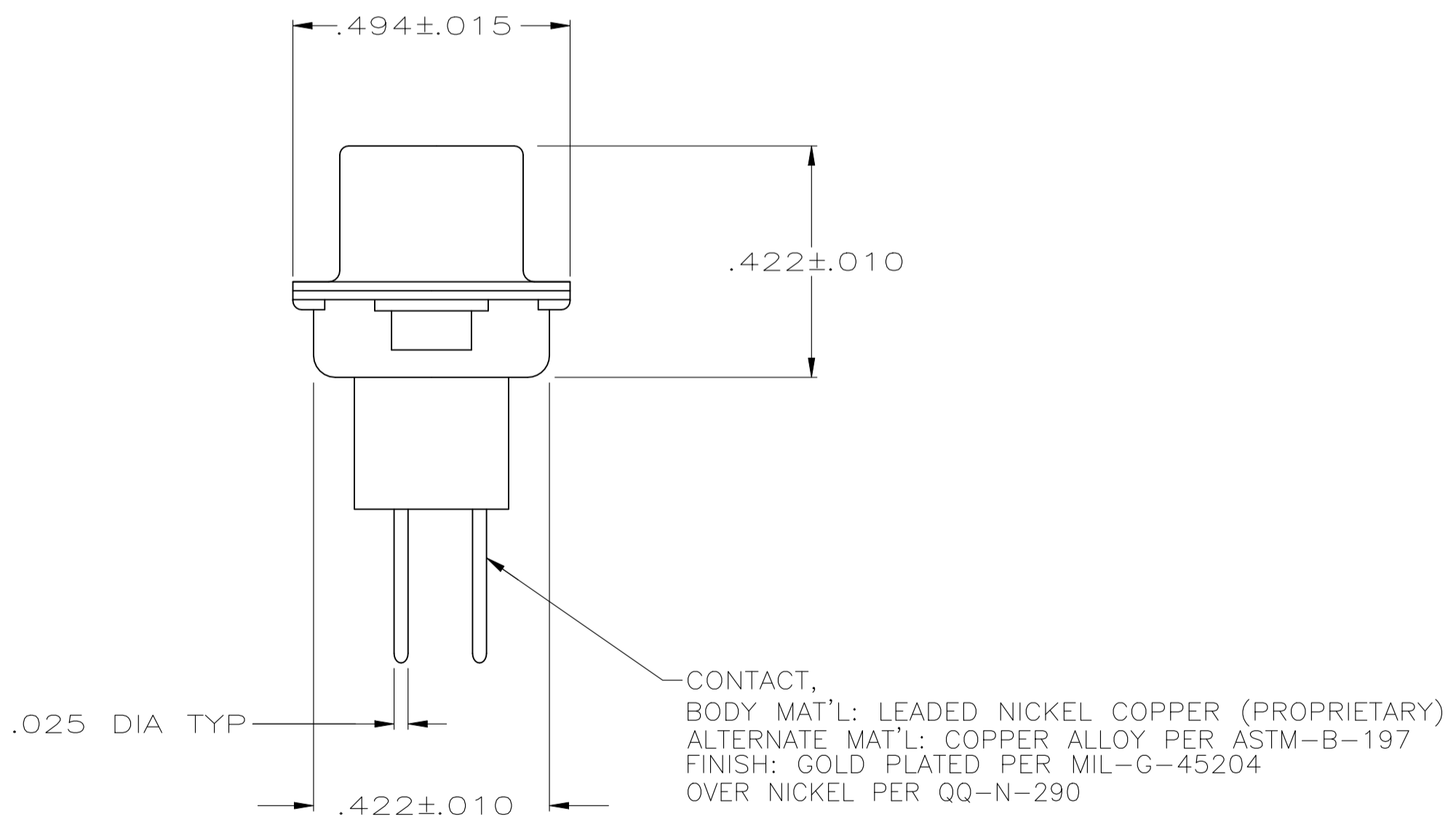
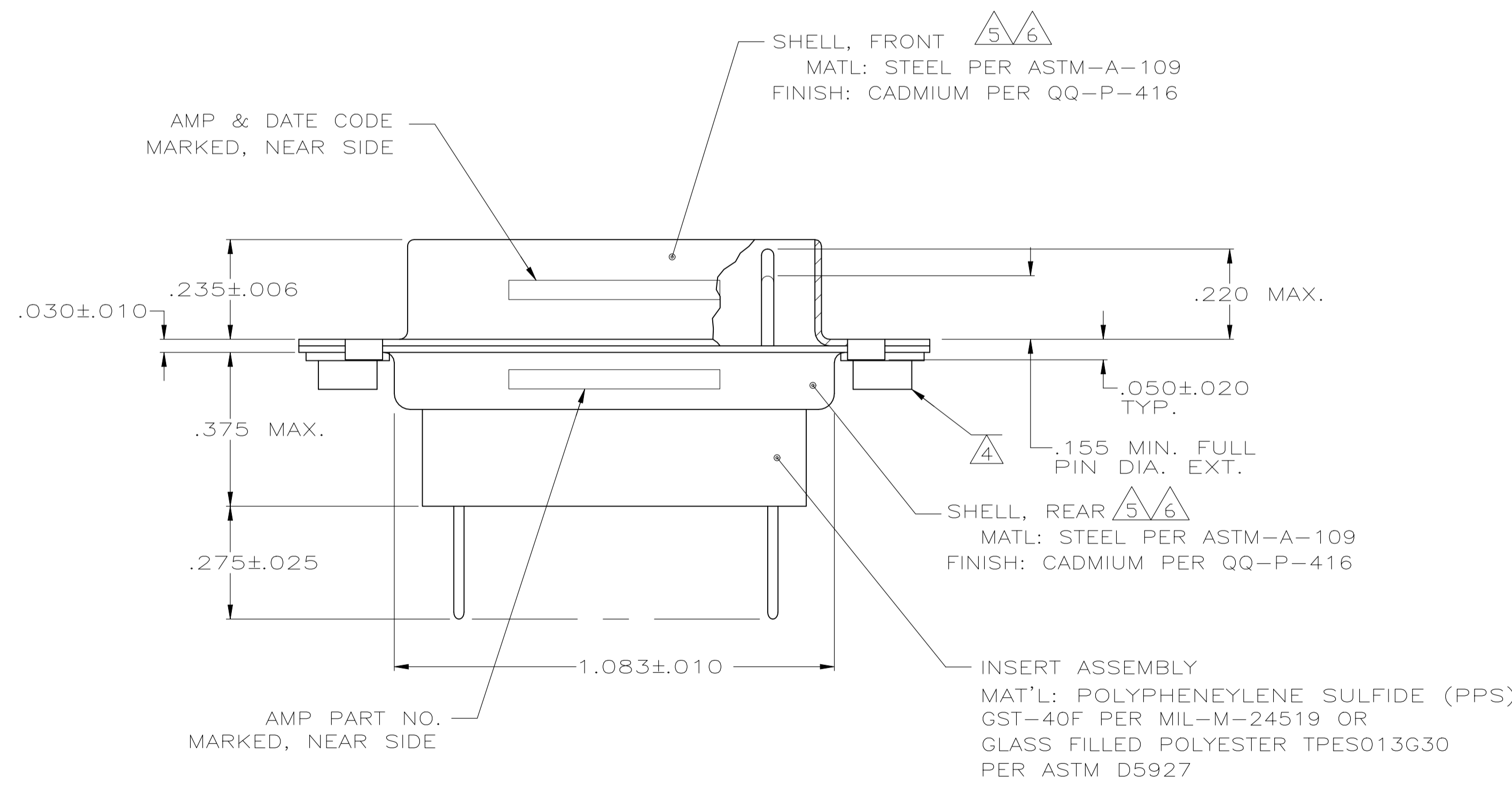
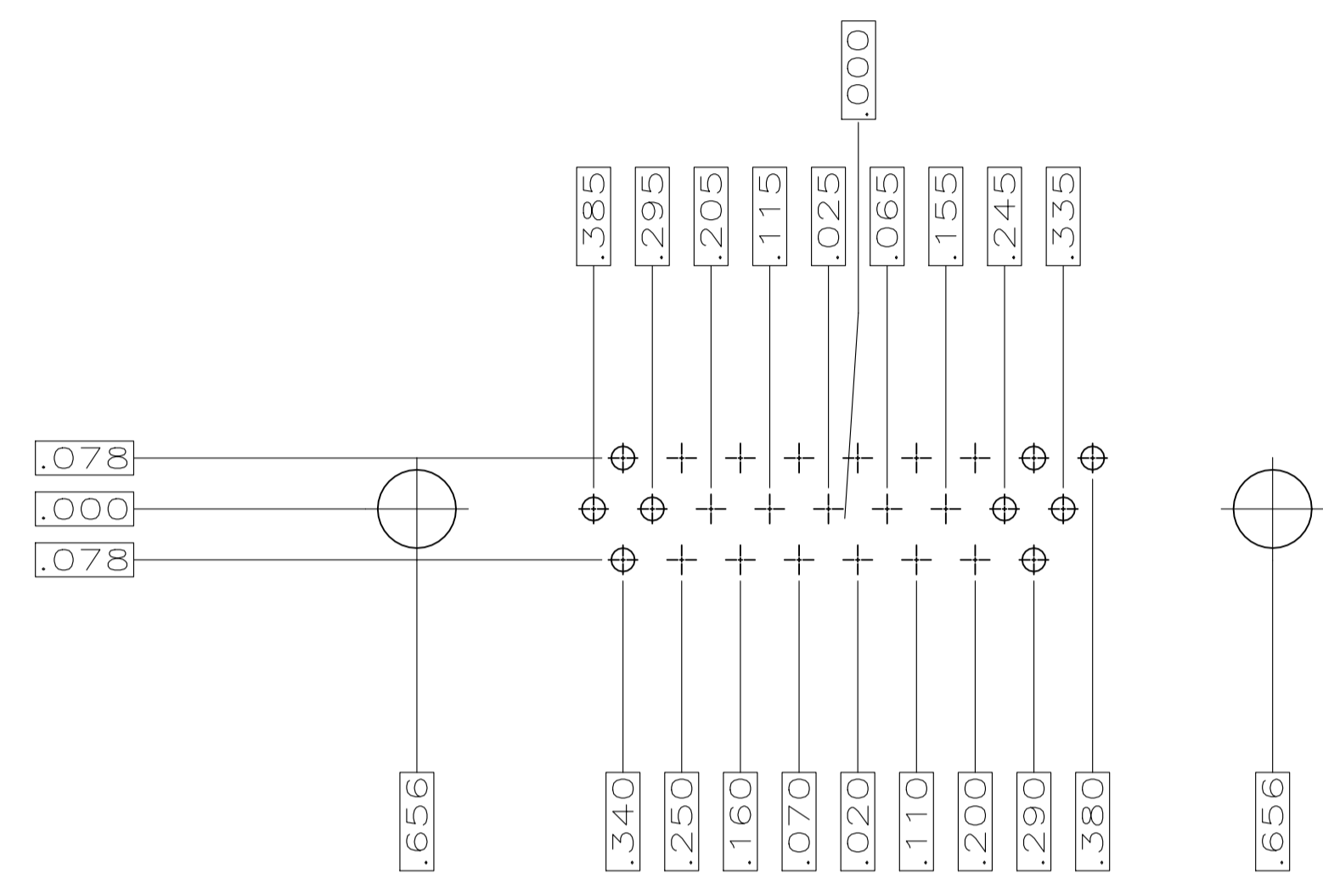
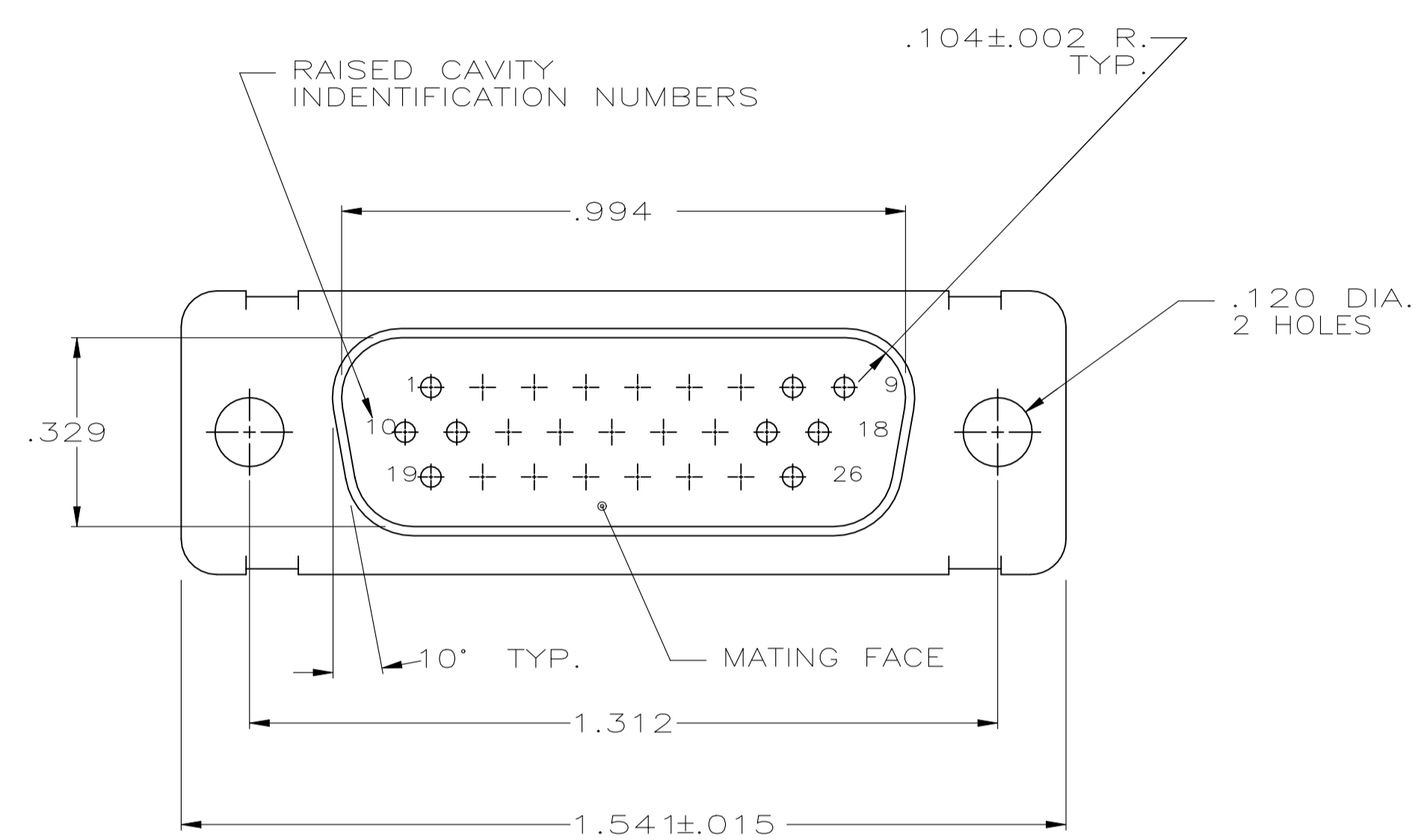


WARNING - THIS DOCUMENT CONTAINS TECHNOLOGY WHOSE EXPORT IS RESTRICTED BY THE EXPORT ADMINISTRATION REGULATIONS ("EAR") PURSUANT TO 15 C.F.R. PARTS 730-774. VIOLATIONS OF THE EAR ARE SUBJECT TO SEVERE CRIMINAL PENALTIES UNDER THE EXPORT CONTROL REFORM ACT, AS AMENDED (TITLE 50, U.S.C., SEC. 4801, ET SEQ.).

REVISIONS				
P	LTR	DESCRIPTION	DATE	APVD
L		REVISED PER ECN-24-267759	28MAY2024	PE DS

- .040 DIA HOLE IS RECOMMENDED FOR P.C. BOARD.
- CONNECTOR MATES WITH ANY AMP 26 POSN RECEPTACLE.
- REPLACEMENT PIN AMP# 207683-8.
- CLINCH NUT (2 EA) IS USED ON 208867-2 ONLY.
- CADMIUM PER QQ-P-416.
- FINISH: ZINC PER ASTM-B-633 .000200-.000400 THK WITH SUPPLEMENTARY CHROMATE (Cr3+).



5-208867-1 OBSOLETE	△6	5-208867-1
208867-2 OBSOLETE	△5 △4	208867-2
	△5	208867-1
REMARKS		PART NO

THIS DRAWING IS A CONTROLLED DOCUMENT.

DIMENSIONS: INCHES	TOLERANCES UNLESS OTHERWISE SPECIFIED:	DIN C.C.THOMAS 1-7-88	NAME
0. PLC ± -	1. PLC ± -	CHK F.C.BALLEW III	APVD
2. PLC ± -	3. PLC ± .005		
4. PLC ANGLES ± -			
MATERIAL SEE CALLOUTS	FINISH SEE CALLOUTS	WEIGHT	SIZE CAGE CODE DRAWING NO. RESTRICTED TO
			A1 00779 C=208867
CUSTOMER DRAWING		SCALE 4:1	SHEET 1 OF 1 REV L

STE TE Connectivity

AMPLITE 26 POSN. PLUG ASSY., WITH LOADED POSTED CONTACTS SIZE2, SERIES 90