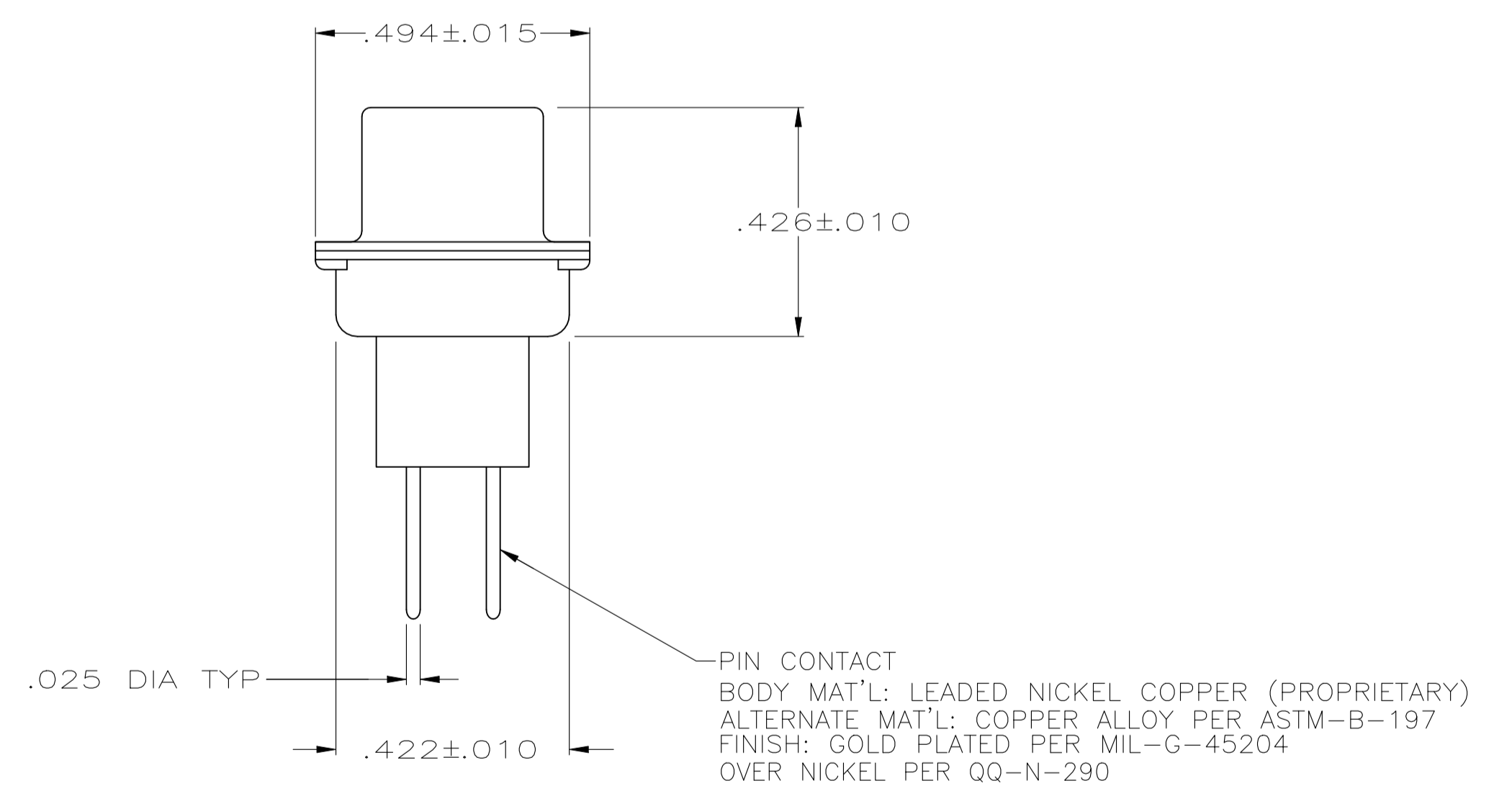
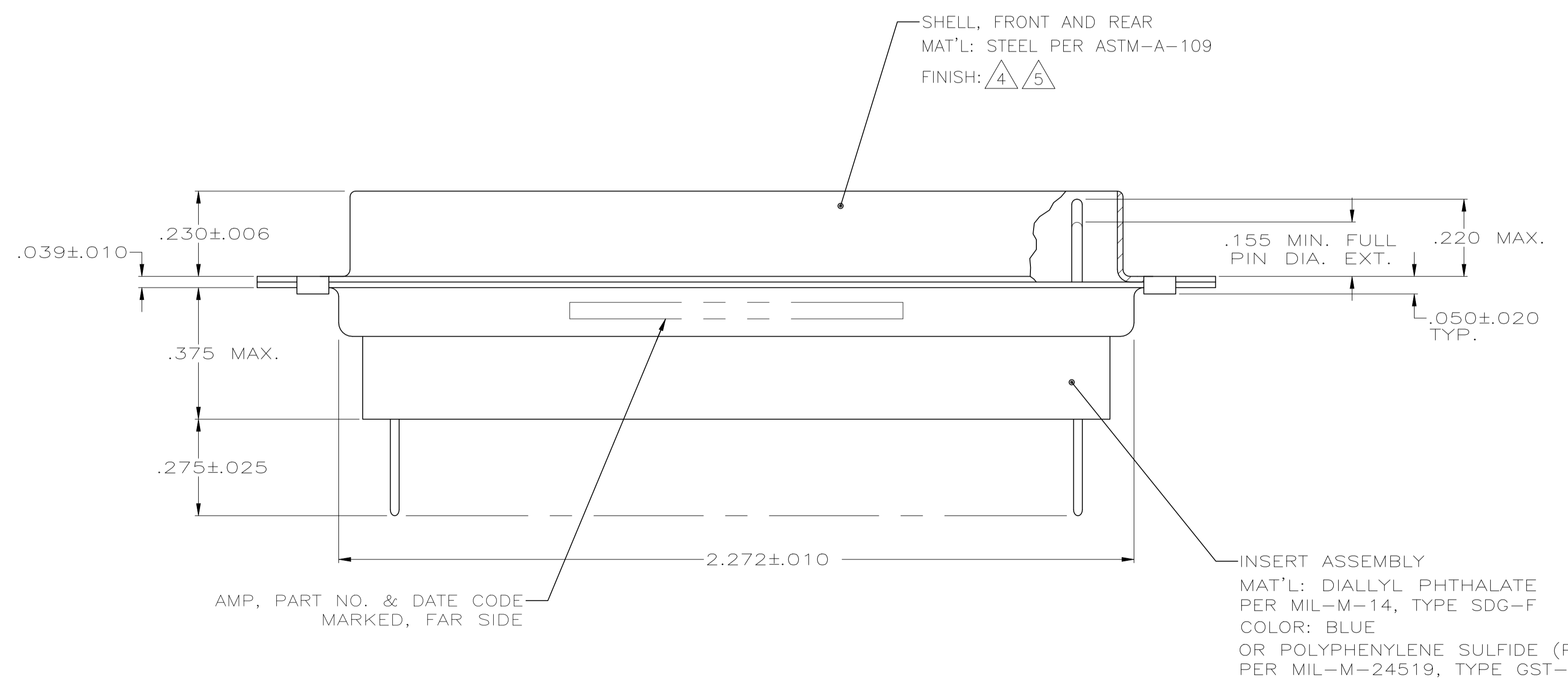
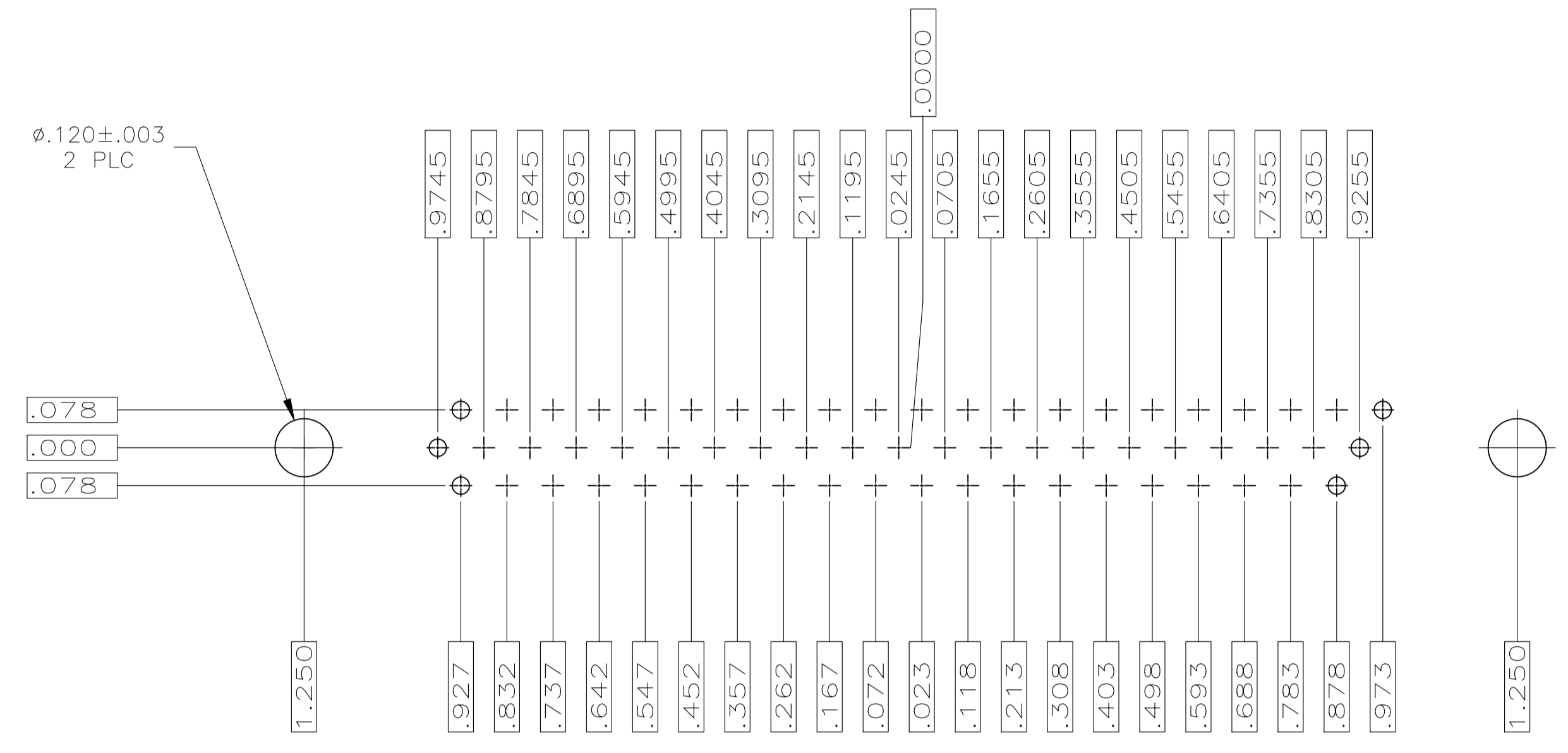
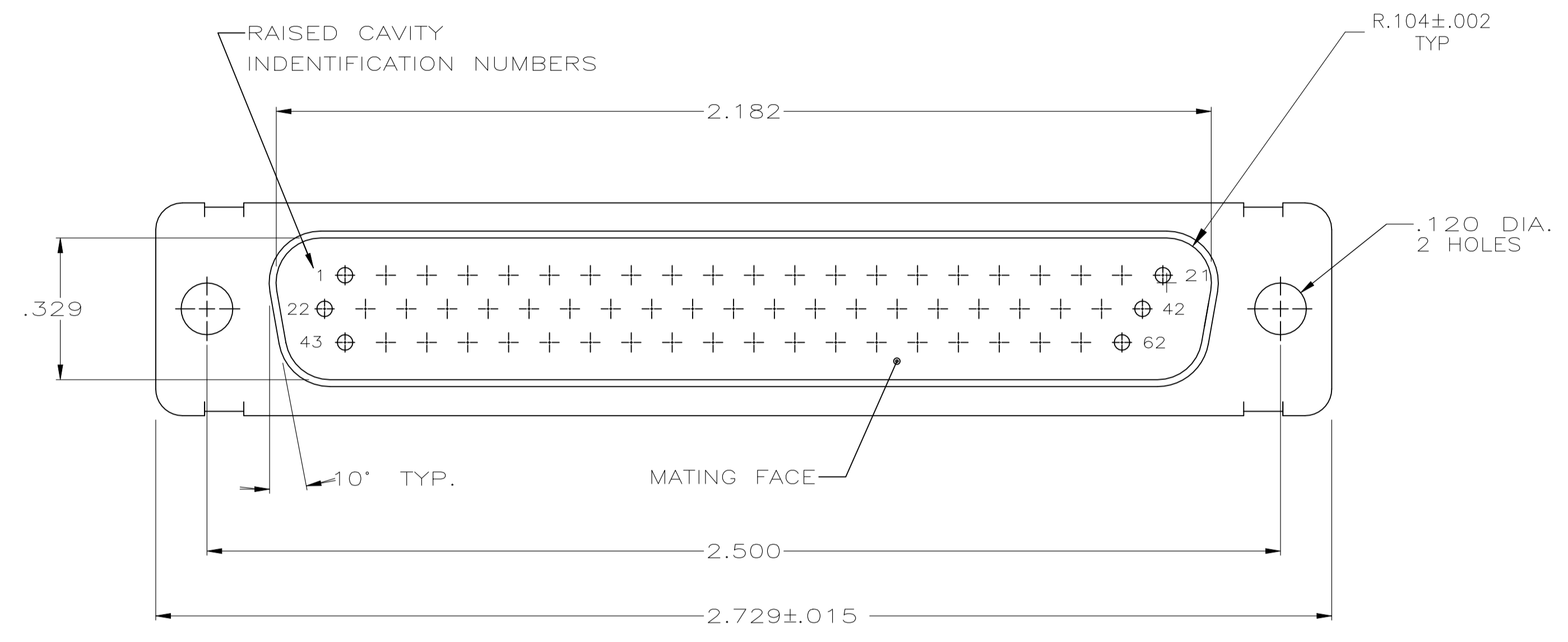


LOC		DIST		REVISIONS			
DF	DO	REV	PER	DESCRIPTION	DATE	DMN	APVD
H	REV PER	ECO-05-014959			10FEB06	PY	DM



- .040 DIA HOLE IS RECOMMENED FOR P.C. BOARD
- CONNECTOR MATES WITH ANY AMP 62 POSN RECEPTACLE
- REPLACEMENT CONTACT AMP# 207683-8
- FINISH: CADMIUM PER QQ-P-416
- FINISH: ZINC PLATED PER ASTM-B-633, .000200-.000400 THK WITH SUPPLEMENTARY CHROMATE (Cr3+)

WARNING - THIS DOCUMENT CONTAINS TECHNOLOGY WHOSE EXPORT IS RESTRICTED BY THE EXPORT ADMINISTRATION REGULATIONS ("EAR") PURSUANT TO 15 C.F.R. PARTS 730-774. VIOLATIONS OF THE EAR ARE SUBJECT TO SEVERE CRIMINAL PENALTIES UNDER THE EXPORT CONTROL REFORM ACT, AS AMENDED (TITLE 50, U.S.C., SEC. 4801, ET SEQ.).

OBSDLETE	PLATED PER 5	5-208869-1
	PLATED PER 4	208869-1
	DESCRIPTION	PART NO.

THIS DRAWING IS A CONTROLLED DOCUMENT.		DIN C.C.THOMAS 1-9-88	tyco Electronics	Tyco Electronics Corporation Harrisburg, Pa 17105-3608	
DIMENSIONS: INCHES		1-25-88		NAME: AMPLIMITE 62 POSN. PLUG ASSY., W/ LOADED POSTED CONTACTS, SIZE 4, SERIES 90	
TOLERANCES UNLESS OTHERWISE SPECIFIED:		0 PLC ± .005	PRODUCT SPEC	SIZE: A1	
1 PLC ± .005		1 PLC ± .005	APPLICATION SPEC	CAGE CODE: 00779	
2 PLC ± .005		2 PLC ± .005	WEIGHT	208869	
3 PLC ± .005		3 PLC ± .005	CUSTOMER DRAWING	SCALE: 4:1	
4 PLC ± .005		4 PLC ± .005	RESTRICTED TO	SHEET 1 OF 1	
FINISH: SEE CALLOUTS		FINISH: SEE CALLOUTS		REV J	