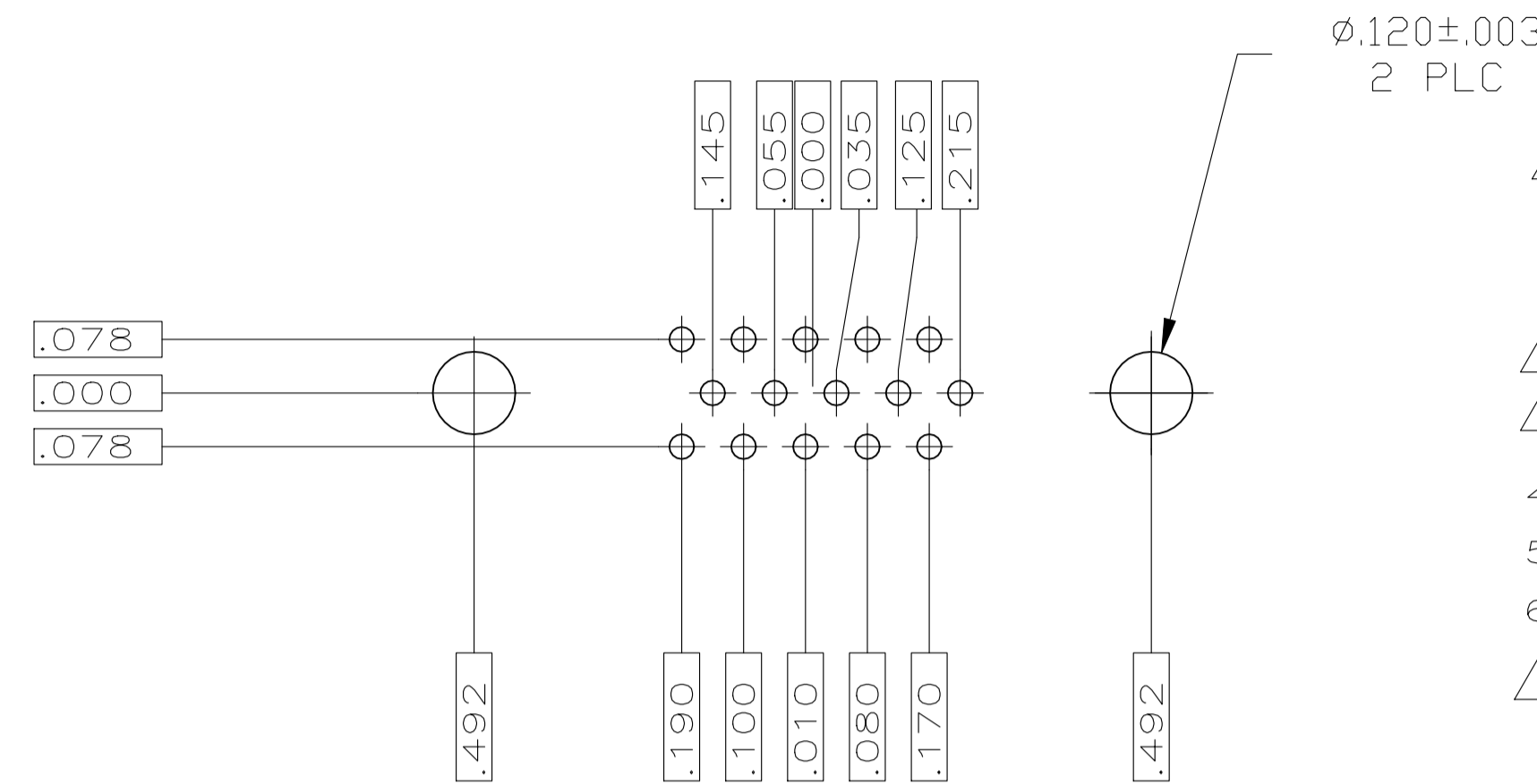
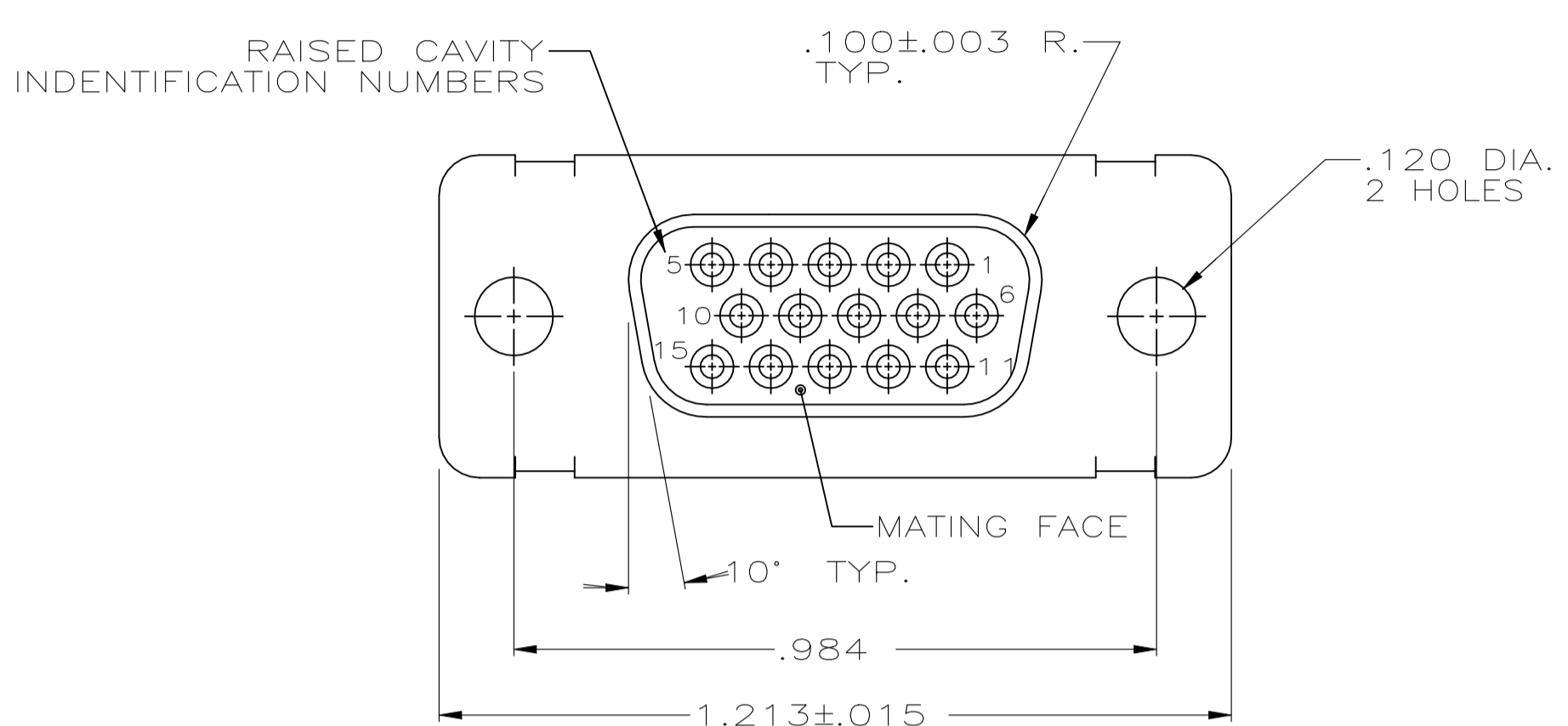


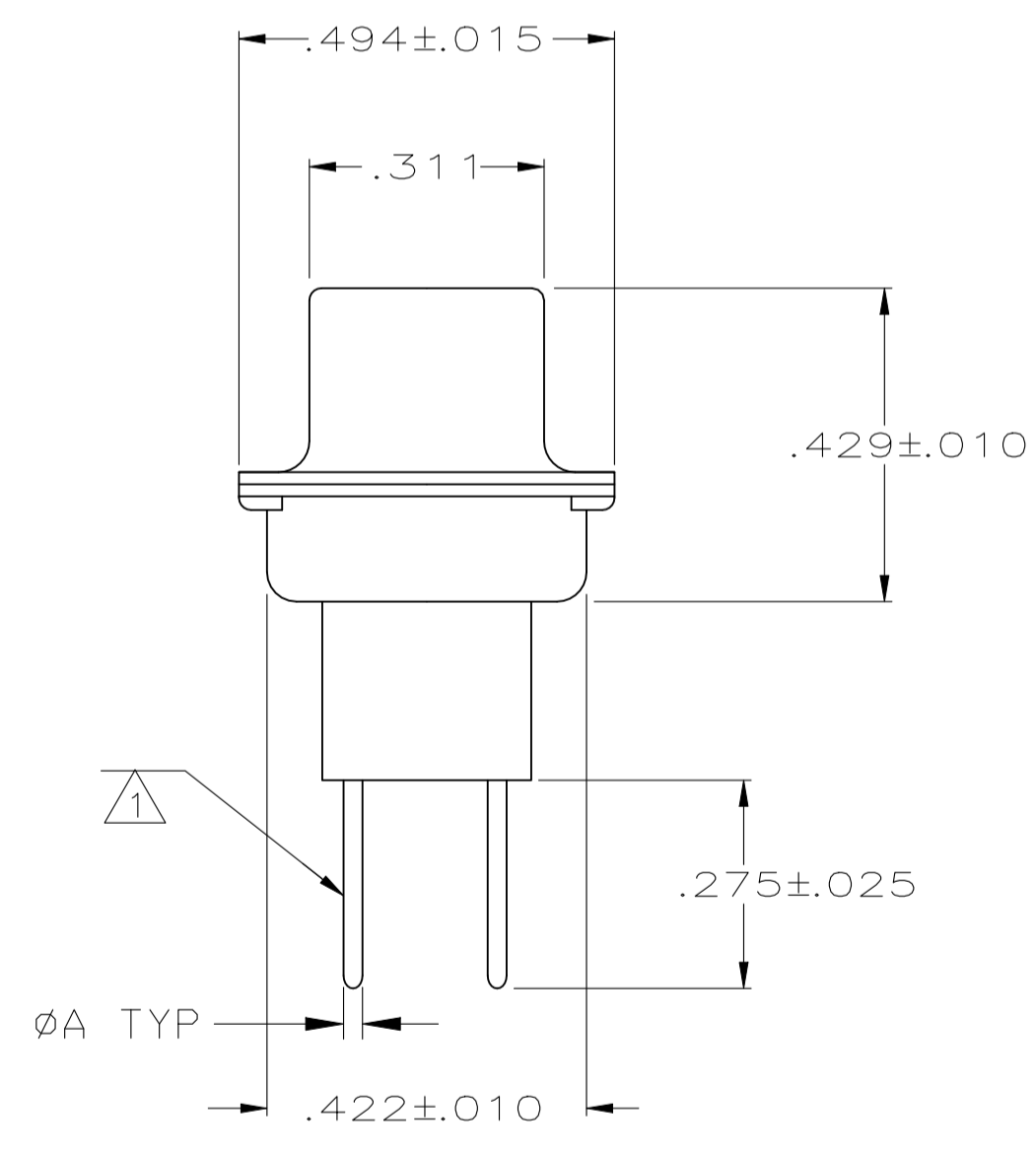
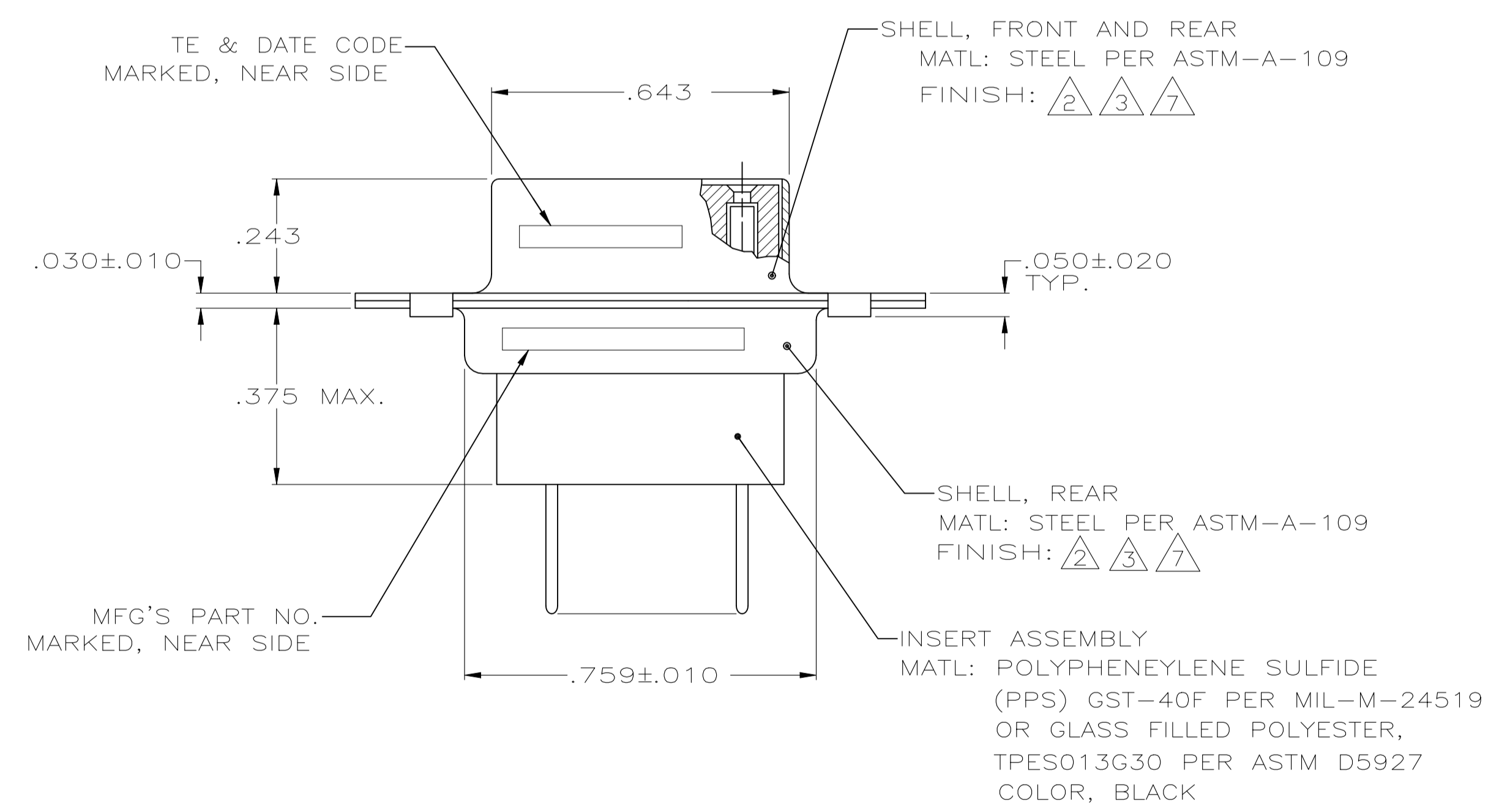
WARNING - THIS DOCUMENT CONTAINS TECHNOLOGY WHOSE EXPORT IS RESTRICTED BY THE EXPORT ADMINISTRATION REGULATIONS ("EAR") PURSUANT TO 15 C.F.R. PARTS 730-774. VIOLATIONS OF THE EAR ARE SUBJECT TO SEVERE CRIMINAL PENALTIES UNDER THE EXPORT CONTROL REFORM ACT, AS AMENDED (TITLE 50, U.S.C., SEC. 4801, ET SEQ.).

REVISIONS				
P	LTR	DESCRIPTION	DATE	APP'D
N		REVISED PER ECN-24-265797	15MAY2024	PP DS



RECOMMENED P.C. BOARD LAYOUT

- △ SOCKET CONTACT
CONTACT BODY MAT'L: LEADED NICKEL COPPER (PROPRIETARY)
ALTERNATE MAT'L: COPPER ALLOY PER ASTM-B-197
FINISH: GOLD PER MIL-G-45204 OVER NICKEL PER QQ-N-290
- △ FINISH: CADMIUM PER QQ-P-416
- △ FINISH: TIN PLATED PER MIL-T-10727
- 4. .040 DIA HOLE IS RECOMMENED FOR P.C. BOARD
- 5. CONNECTOR MATES WITH ANY TE 15 POSN PLUG
- 6. REPLACEMENT SOCKET TE# 207684-4
- △ FINISH: ZINC PLATED PER ASTM-B-633, .000200-.000400 THK WITH SUPPLEMENTARY CHROMATE (Cr3+)



	.025	PLATED PER △7	5-208872-1
208872-3 OBSOLETE	.018	PLATED PER △2	208872-3
208872-2 OBSOLETE	.025	PLATED PER △3	208872-2
	.025	PLATED PER △2	208872-1
	DIM A	DESCRIPTION	PART NO.

THIS DRAWING IS A CONTROLLED DOCUMENT.

DIN 1-6-88
C.C. THOMAS
CHK 1-25-88
F. BALLEW III
APVD 1-29-88
NAME
F. BALLEW
PRODUCT SPEC
APPLICATION SPEC
SIZE
CASE CODE
DRAWING NO
RESTRICTED TO

TE Connectivity

AMPLIMITE 15 POSN. RCPT. ASSY.,
W/ LOADED POSTED CONTACTS*
SIZE 1, SERIES 90

WEIGHT 0.000000
A1 00779 C=208872

CUSTOMER DRAWING SCALE 4:1 SHEET 1 of 1 REV N