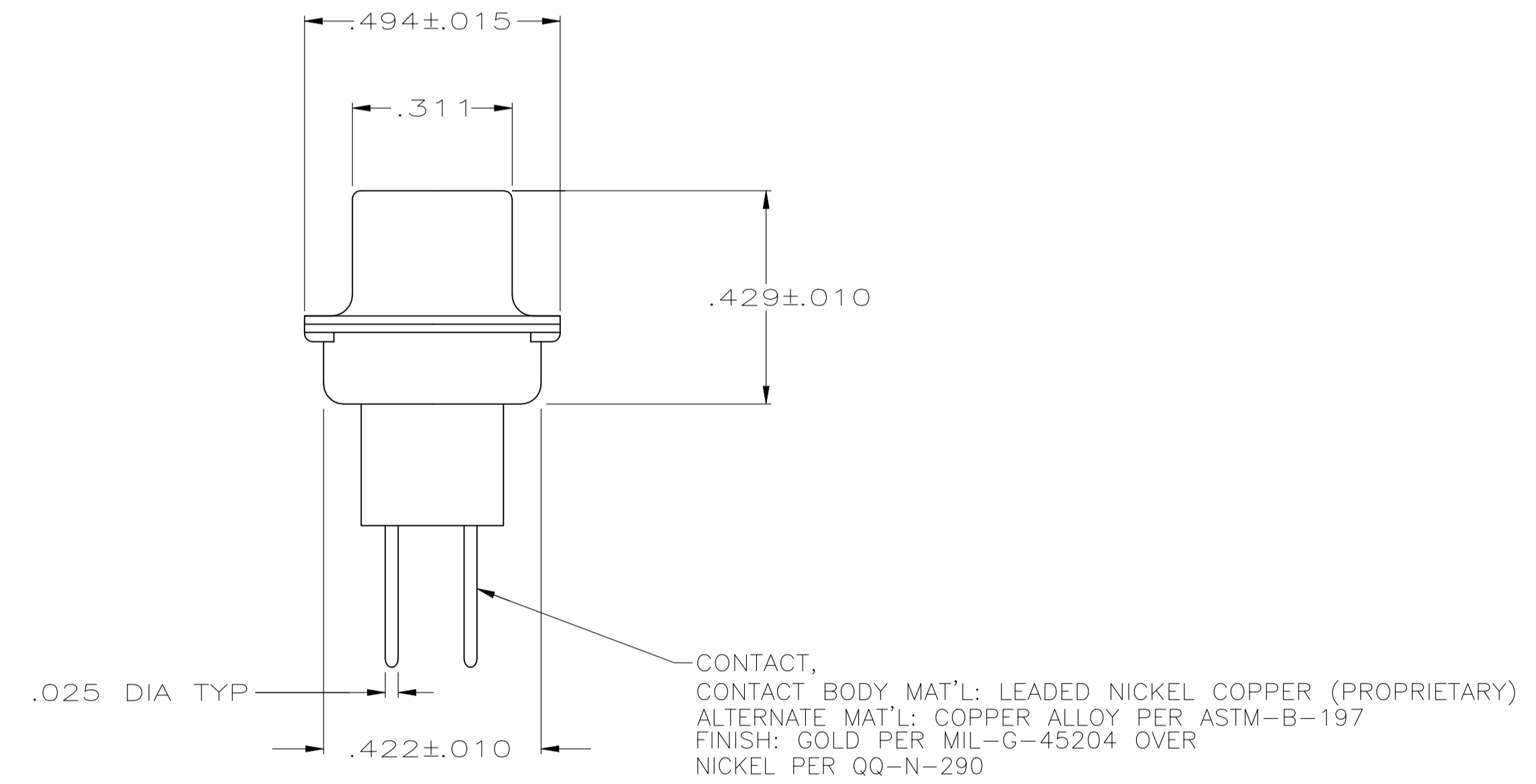
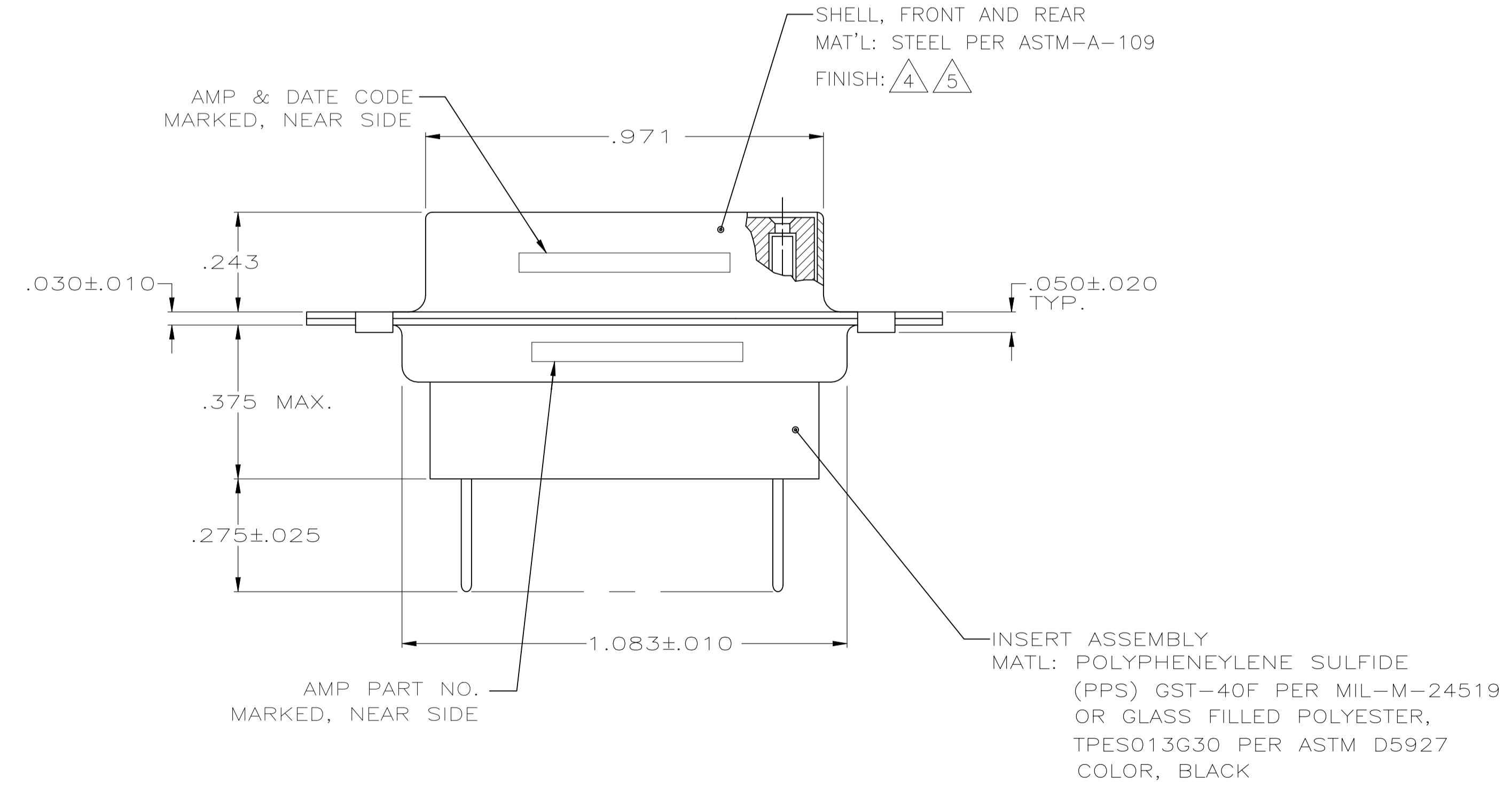
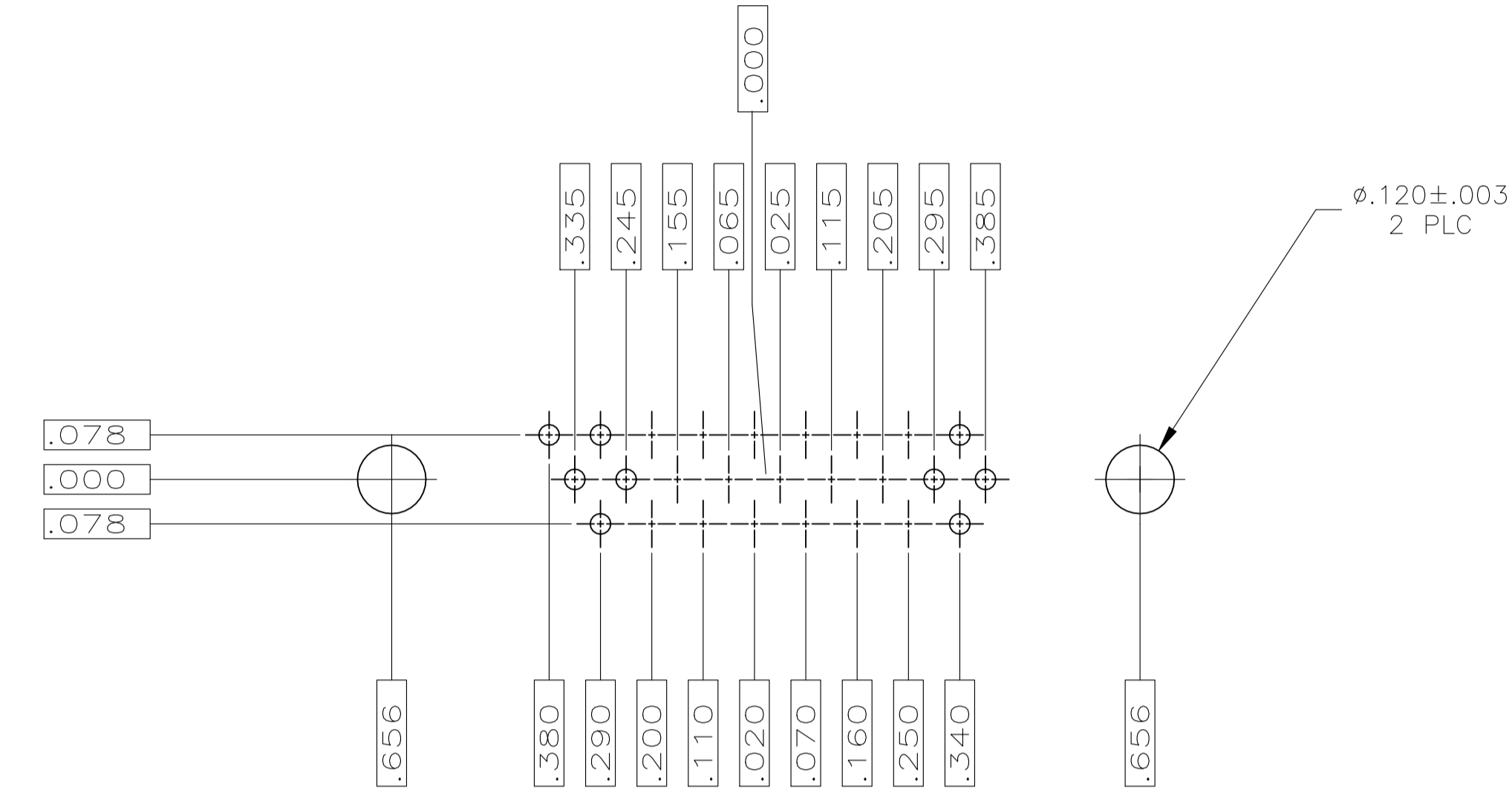
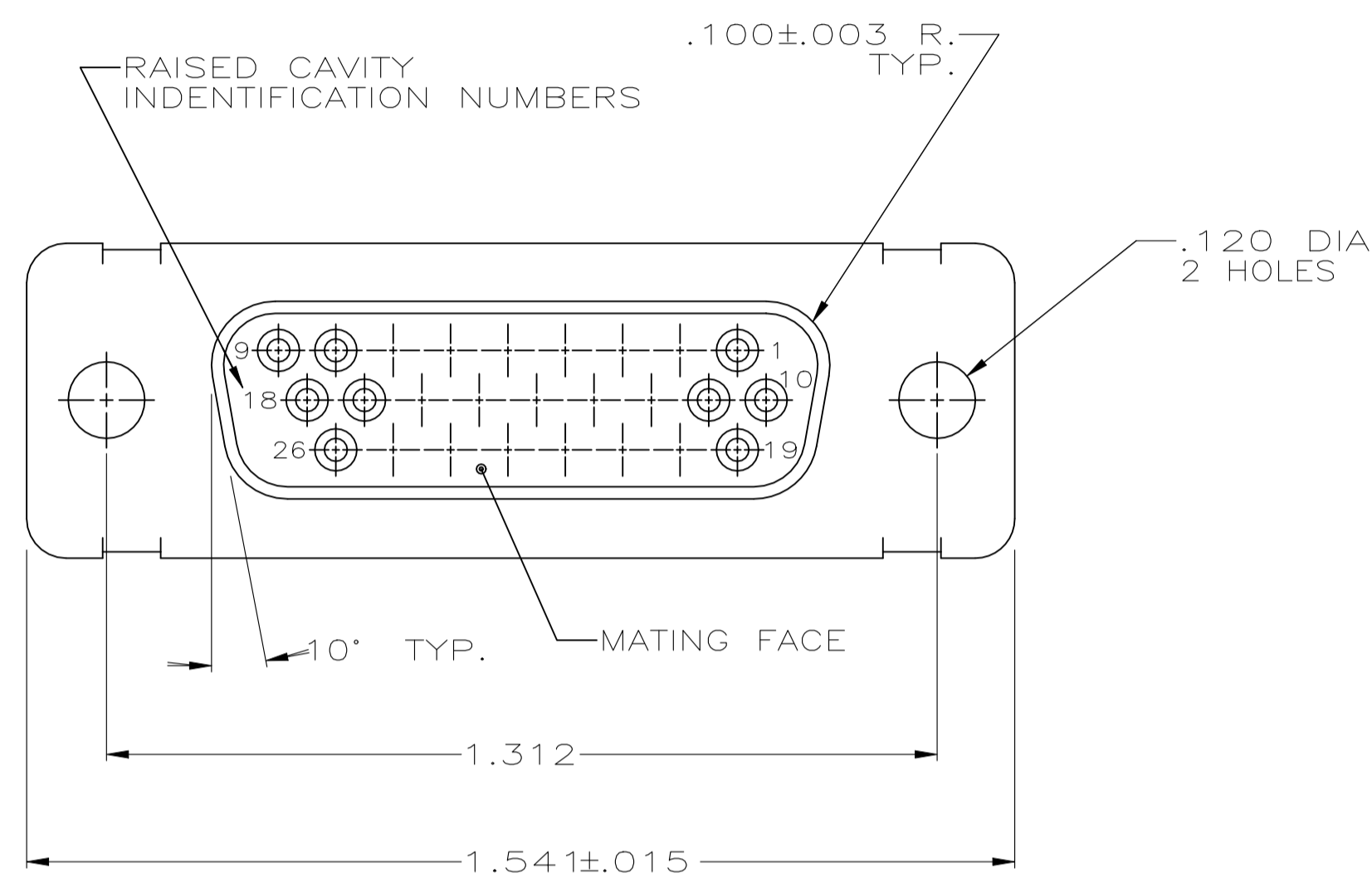


WARNING - THIS DOCUMENT CONTAINS TECHNOLOGY WHOSE EXPORT IS RESTRICTED BY THE EXPORT ADMINISTRATION REGULATIONS ("EAR") PURSUANT TO 15 C.F.R. PARTS 730-774. VIOLATIONS OF THE EAR ARE SUBJECT TO SEVERE CRIMINAL PENALTIES UNDER THE EXPORT CONTROL REFORM ACT, AS AMENDED (TITLE 50, U.S.C., SEC. 4801, ET SEQ.).

REVISIONS					
P	LTR	DESCRIPTION	DATE	DRN	APVD
J		REVISED PER ECN-24-265804	15MAY2024	PP	DS



- .040 DIA HOLE IS RECOMMENDED FOR P.C. BOARD
- CONNECTOR MATES WITH ANY AMP 26 POSN PLUG
- REPLACEMENT SOCKET AMP# 207684-4
- FINISH: CADMIUM PER QQ-P-416
- FINISH: ZINC PLATED PER ASTM-B-633, .000200-.000400 THK WITH SUPPLEMENTARY CHROMATE (Cr3+)

5-208873-1 OBSOLETE	PLATED PER 5	5-208873-1
	PLATED PER 4	208873-1
	DESCRIPTION	PART NO.

THIS DRAWING IS A CONTROLLED DOCUMENT.		DIN 1-6-88		C.C. THOMAS	
DIMENSIONS: INCHES		TOLERANCES UNLESS OTHERWISE SPECIFIED:		CHK 1-25-88	
0. PLC ± .005		1. PLC ± .005		F.C. BALLEW III	
1. PLC ± .005		2. PLC ± .005		APVD	
2. PLC ± .005		3. PLC ± .005		NAME	
3. PLC ± .005		4. PLC ± .005		PRODUCT SPEC	
4. PLC ± .005		ANGLES ± .005		APPLICATION SPEC	
MATERIAL SEE CALLOUTS		FINISH SEE CALLOUTS		WEIGHT 0.000000	
		SCALE 4:1		SHEET 1 of 1	
		CUSTOMER DRAWING		REV J	