

# CODE 24 - HEAT SHRINK BOOT BACKSHELL

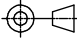


**208M620-19C-D**

SERIES \_\_\_\_\_  
 SHELL SIZE (TABLE 1) \_\_\_\_\_  
 MATERIAL \_\_\_\_\_  
 REFER TO CH00-0250-004  
 FINISH \_\_\_\_\_  
 REFER TO CH00-0250-004  
 MODIFICATION CODE \_\_\_\_\_  
 REFER TO CH00-0250-004 (6)

## NOTES:

1. THIS PRODUCT IS DESIGNED TO TERMINATE A HEAT SHRINKABLE LIPPED BOOT TO A CONNECTOR.
- (6) FOR ADDITIONAL DIMENSIONS, ORDERING INFORMATION AND MODIFICATIONS, SEE CH00-0250-004.
3. BACKSHELL TO BE PERMANENTLY MARKED/BAGGED AND LABELLED WITH CODE IDENTIFICATION NUMBER AND PART NUMBER. (e.g. 06090-208M612-19A).
4. KNURL INSIDE BOOT GROOVE MAY BE SUPPLIED AT MANUFACTURER'S OPTION.
5. BACKSHELL MATES TO MIL-C-26482 SERIES I, CLASS E, F AND P, MS3114 AND MS3124 CONNECTORS.
- (6) ANTI-ROTATIONAL SET SCREW, THREE #4-40 THREADED HOLES 120° APART, SINGLE MATING SET SCREW SUPPLIED.

If this document is printed it becomes uncontrolled. Check for the latest revision

DRAWN	K.WINCZURA	DATE 11/06/2015	 3RD ANGLE PROJECTION NOT TO SCALE	TITLE:	HEAT SHRINK BOOT BACKSHELL	 <b>Polamco</b> 	
CHECKED		11/06/2015					
APPROVED	K.SHEPPARD	10/07/2015		UNLESS OTHERWISE SPECIFIED ALL DIMENSIONS IN MILLIMETRES GENERAL TOL LINEAR +/-0.25MM ANGULAR +/- 1°	ASSY USED ON:		MIL-DTL-26482 SERIES I, CLASS E, F AND P MS3114 AND MS3124 RECEPTACLE CONNECTORS.
APPROVED	H.SMITH	16/07/2015					
REVISIONS							
LTR	DESCRIPTION	DATE	APPROVED				
A	REVISED PER ECN AD93032						
B	REVISED PER ECO-15-010346	16/07/2015	H.SMITH				
TE CAGE CODE: 06090 POLAMCO/TE CAGE CODE: U5792				TE CONNECTIVITY - POLAMCO LTD RESERVES THE RIGHT TO AMEND THIS DRAWING AND THE INFORMATION SET FORTH HEREON AT ANY TIME. USERS SHOULD INDEPENDENTLY EVALUATE THE SUITABILITY OF THE PRODUCT FOR THEIR APPLICATION.		DRAWING NO: <b>208M6XX</b>	
				DRAWING REV: <b>B</b>		SHT <b>1</b>	

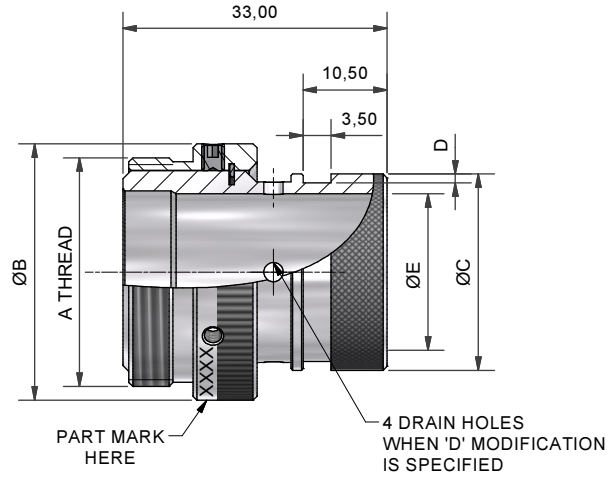
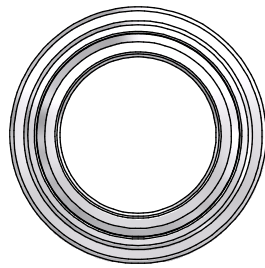
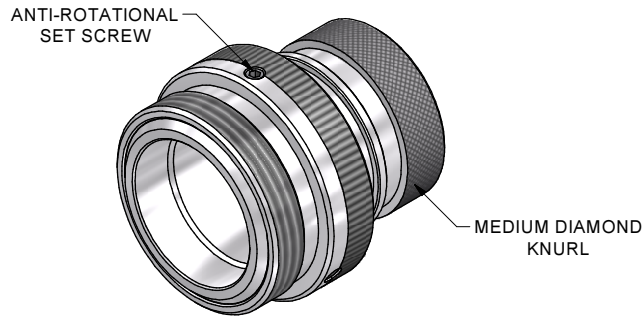


TABLE 1

BASE PART NUMBER	SHELL SIZE	A THREAD	ØB MAX	D +0,20/-0,00	ØE	ØC MAX
208M608	08	5/8-24UNEF	19,8	1,12	7,00	13,50
208M610	10	3/4-20UNEF	23,1	1,12	10,00	15,40
208M612	12	7/8-20UNEF	26,2	1,12	13,50	19,70
208M614	14	1-20UNEF	29,5	1,12	16,50	21,30
208M616	16	1 1/8-18UNEF	32,5	1,12	19,50	24,50
208M618	18	1 1/4-18UNEF	35,8	1,12	22,25	27,75
208M620	20	1 3/8-18UNEF	38,9	1,75	25,00	31,00
208M622	22	1 1/2-18UNEF	42,2	1,75	28,50	34,40
208M624	24	1 5/8-18UNEF	45,2	1,75	30,00	36,60

If this document is printed it becomes uncontrolled. Check for the latest revision

DRAWN	K.WINCZURA	DATE	11/06/2015	<p>3RD ANGLE PROJECTION NOT TO SCALE</p>	<p>TITLE:</p> <p>HEAT SHRINK BOOT BACKSHELL</p>	<p>Polamco</p>												
CHECKED		11/06/2015																
APPROVED	K.SHEPPARD	10/07/2015	<p>UNLESS OTHERWISE SPECIFIED ALL DIMENSIONS IN MILLIMETRES GENERAL TOL LINEAR +/-0,25MM ANGULAR +/- 1°</p>															
APPROVED	H.SMITH	16/07/2015																
<p>REVISIONS</p> <table border="1"> <thead> <tr> <th>LTR</th> <th>DESCRIPTION</th> <th>DATE</th> <th>APPROVED</th> </tr> </thead> <tbody> <tr> <td>A</td> <td>REVISED PER ECN AD93032</td> <td></td> <td></td> </tr> <tr> <td>B</td> <td>REVISED PER ECO-15-010346</td> <td>16/07/2015</td> <td>H.SMITH</td> </tr> </tbody> </table>					LTR	DESCRIPTION	DATE	APPROVED	A	REVISED PER ECN AD93032			B	REVISED PER ECO-15-010346	16/07/2015	H.SMITH	<p>ASSY USED ON:</p> <p>MIL-DTL-26482 SERIES I, CLASS E, F AND P MS3114 AND MS3124 RECEPTACLE CONNECTORS.</p>	<p>TE connectivity</p>
LTR	DESCRIPTION	DATE	APPROVED															
A	REVISED PER ECN AD93032																	
B	REVISED PER ECO-15-010346	16/07/2015	H.SMITH															
<p>TE CAGE CODE: 06090</p> <p>POLAMCO/TE CAGE CODE: U5792</p>					<p>TE CONNECTIVITY - POLAMCO LTD RESERVES THE RIGHT TO AMEND THIS DRAWING AND THE INFORMATION SET FORTH HEREON AT ANY TIME. USERS SHOULD INDEPENDENTLY EVALUATE THE SUITABILITY OF THE PRODUCT FOR THEIR APPLICATION.</p>	<p>DRAWING NO:</p> <p>208M6XX</p>	<p>DRAWING REV:</p> <p>B</p>	<p>SHT</p> <p>2</p>										